



**STANDARD**

Comply with ANSI/EIA RS-310-A,DIN41491; PART1, IEC297-2,DIN41494; PART 7, GB/T3047.2-92. Compatible with metric, ETSI and 19-inch international standards.

**FEATURES**

- Exquisite design with precise craftsmanship
- Good compatibility, adapt to more servers. Perfect ventilation
- Vented front door and rear door enable ventilation and reliable operation
- The top and bottom wiring channel can be closed and adjusted.
- Optional plinth to meet under base wiring, ventilation and rat-proof
- Rack's side panel can be easily assembled.
- Efficient and solid cabinet connection
- Adjustable feet and heavy duty castors are available at the same time , static loading: 800kg.(with adjustable feet).
- Advanced lock
- Surface finish: degreasing, pickling, phosphating, powder coating
- Available in black and gray
- Height, width, and depth selectable, full range of optional accessories.

**MATERIALS**

- **NCB**  
Cold rolled steel sheet ; thickness, frame 1.2mm, mounting rail 2.0mm(1.5mm for 600mm depth),fixed shelf 1.2mm, side panel 1.2mm, smoke-gray tempered glass 5mm
- **NCE**  
Cold rolled steel sheet; thickness, frame 0.8mm, mounting rail 1.2mm. smoke-gray tempered glass 5mm

**APPLICATION**

Widely applied in finance, securities and data center; adopted by the professional servers' network providers as IBM, SUN, HP, COMPAQ, DELL etc.



Cooling fan



Bottom plate



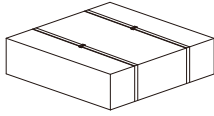
Mounting frame



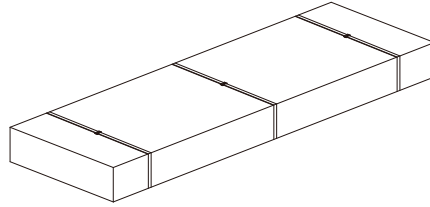
Side locks

**NCB CABINET    NCE CABINET**

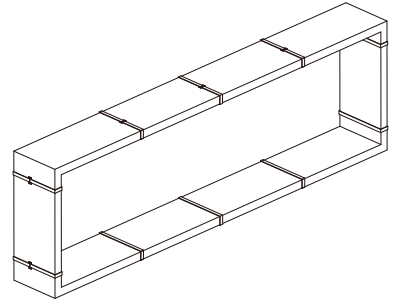
**ASSEMBLING DRAF**



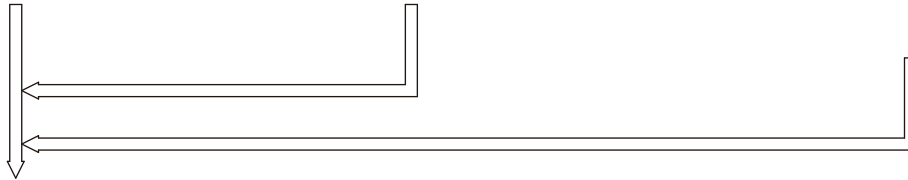
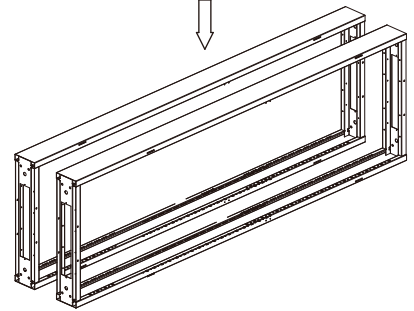
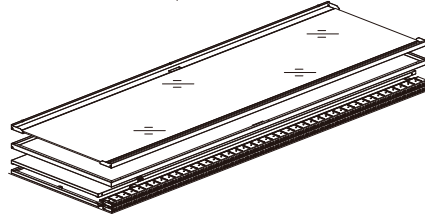
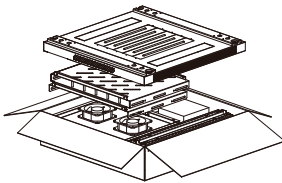
Package a:  
(top cover and bottom plate,  
mounting angle, fan tray, shelf, accessories bag)



Package b:  
(side panel, mounting rail, rear door, front door)

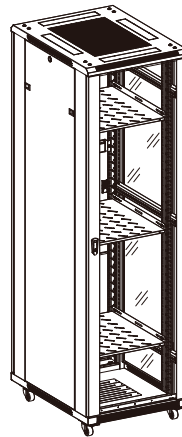
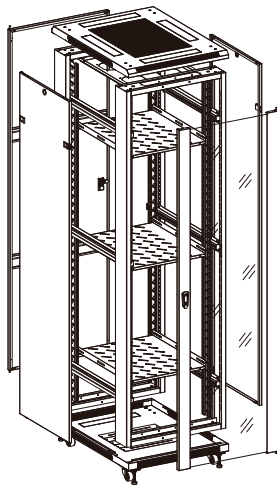


Package c: (frame)



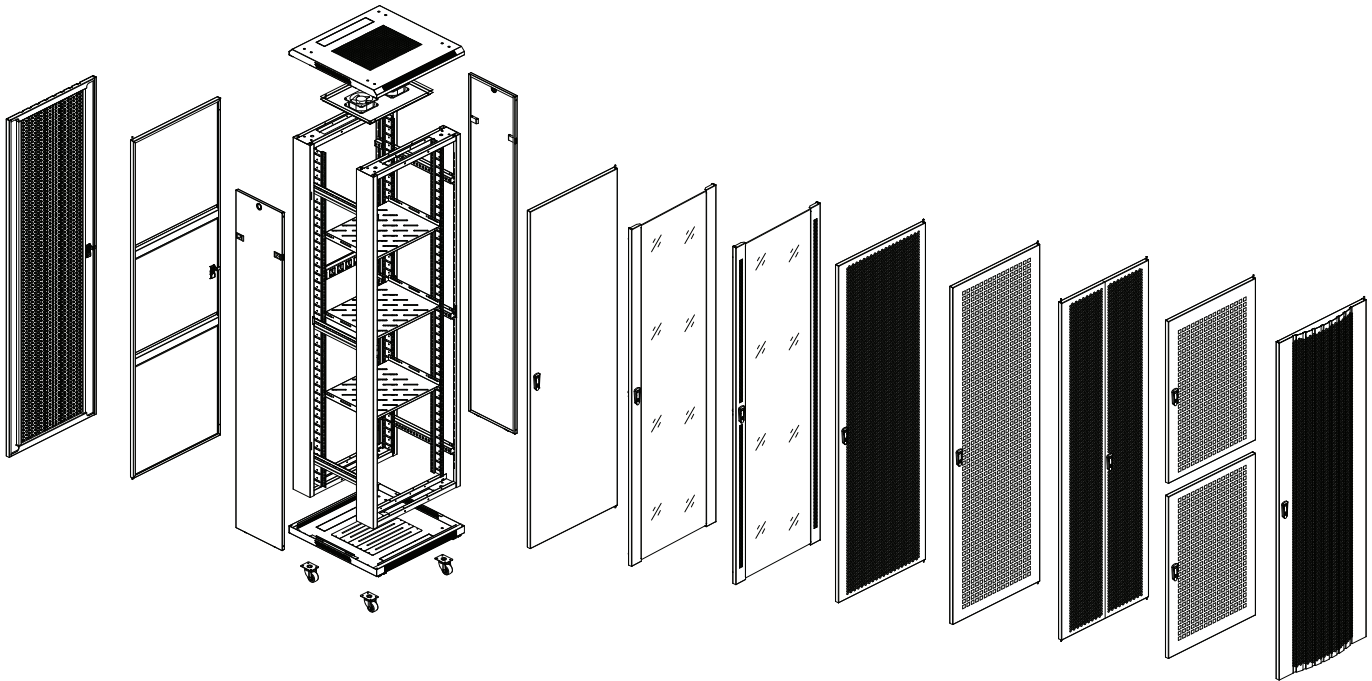
Before packing

after packing

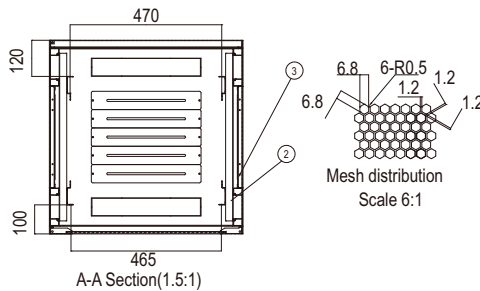
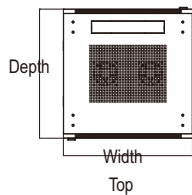
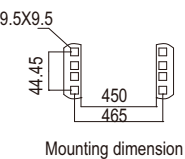
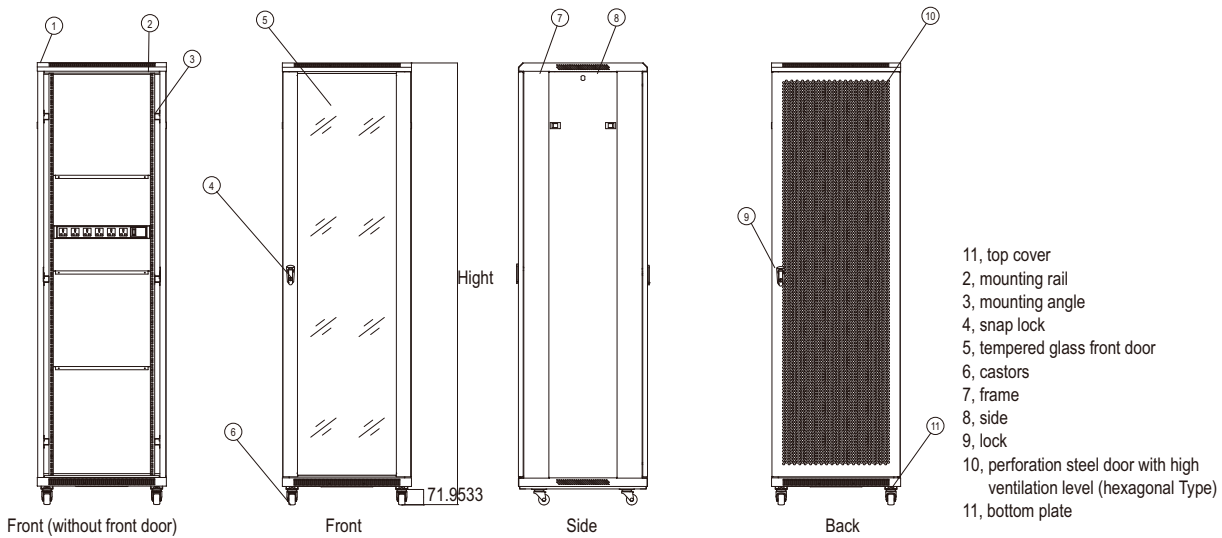


NCB CABINET NCE CABINET

STRUCTURAL



DIMENSION (MM)



CAT 6A FTP  
SYSTEM PRODUCTS

CAT 6A UTP  
SYSTEM PRODUCTS

CAT 6 FTP  
SYSTEM PRODUCTS

CAT 6 UTP  
SYSTEM PRODUCTS

CAT 5E FTP  
SYSTEM PRODUCTS

CAT 5E UTP  
SYSTEM PRODUCTS

TELECOMMUNICATION  
SERIES

COPPER SOLUTION  
PRODUCTS  
ACCESSORIES

FIBER OPTIC  
SOLUTION PRODUCTS

CABINET&ENCLOSURE

INDEX