

[www.midacbatteries.com](http://www.midacbatteries.com)



# MOTIVE POWER BATTERIES

## MDL - MBS

# POWER DESIGN

1

## LID

Exclusive MIDAC design, adapted for push-in plugs and fitting of Air-Tech system (charge with air mixing), allows the optimal sealing of the terminal posts through special rubber bushes.

## COPERCHIO

Esclusivo design MIDAC, predisposto per tappi a pressione ed allestimento con il sistema Air-Tech (carica con insufflazione d'aria), consente una sigillatura ottimale dei poli terminali per mezzo di speciali bussole in gomma.

2

## POST

Robust cross-section, with M10 threaded insert designed to ensure high electrical conductivity and the best mechanical characteristics.

## POLO

Sezione maggiorata, con inserto filettato per viti M10 e design atto a garantire un'elevata conducibilità elettrica e le migliori caratteristiche meccaniche.

3

## INTER-CELL CONNECTOR

Exclusive MIDAC design, guarantees the perfect electrical connection between the cells, ensuring full insulation of conductors.

## CONNETTORE INTERCELLA

Esclusivo design MIDAC, garantisce il perfetto collegamento elettrico tra gli elementi, assicurando l'isolamento totale dei conduttori.

4

## SEPARATOR

Microporous polyethylene envelop, to ensure high performance and complete insulation between positive and negative plates, while allowing the free flow of electrolyte throughout the cell.

## SEPARATORE

Busta in polietilene microporoso, per garantire elevate prestazioni e totale isolamento tra placche positive e negative, permettendo libera circolazione dell'elettrolito nella cella.

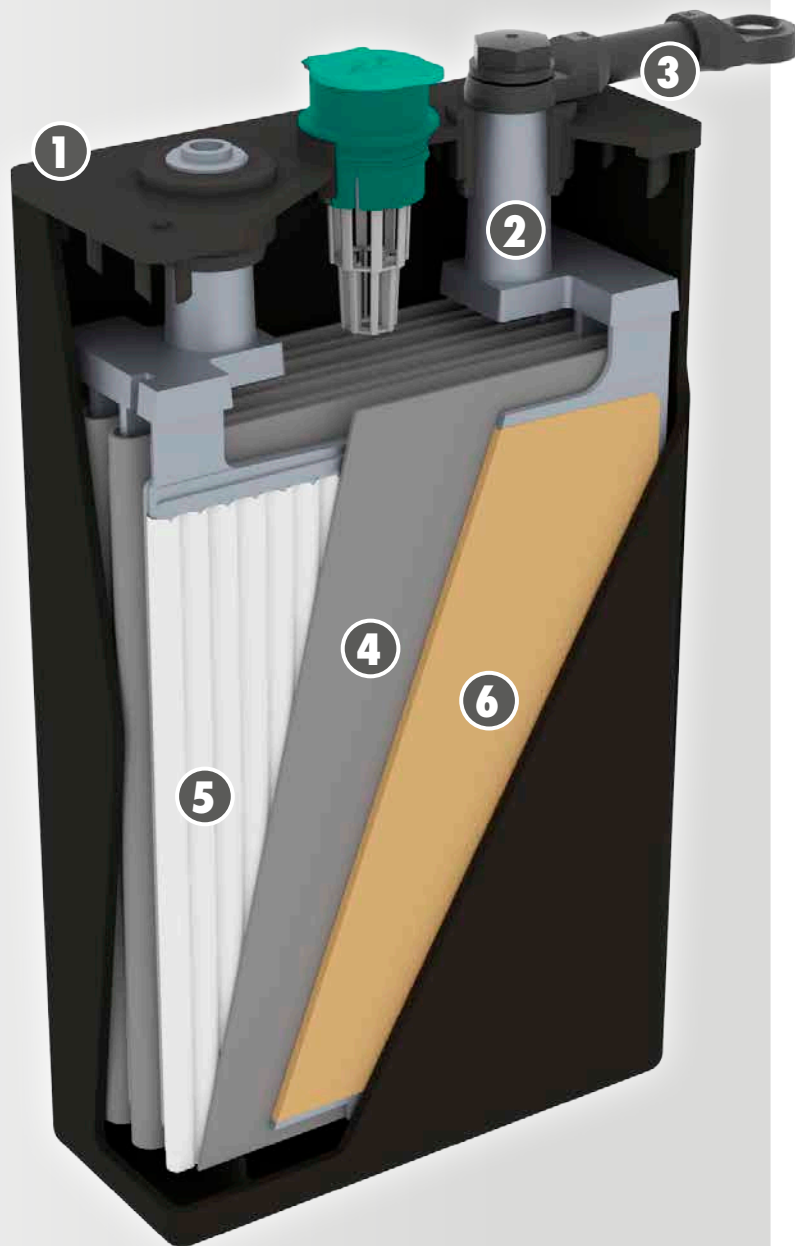
5

## POSITIVE PLATE

Tubular design with state-of-the-art gauntlet technology and pins-grid produced by die-casting, to give high mechanical characteristics and maximum current carrying capacity.

## PLACCA POSITIVA

Guaina tubolare, avanguardia nella tecnologia, e griglia a spine pressofuse, per conferire ottime caratteristiche meccaniche ed elevata conducibilità elettrica.



6

## NEGATIVE PLATE

Thick with cage design grid for improved holding of the active material and high electrical conductivity.

## PLACCA NEGATIVA

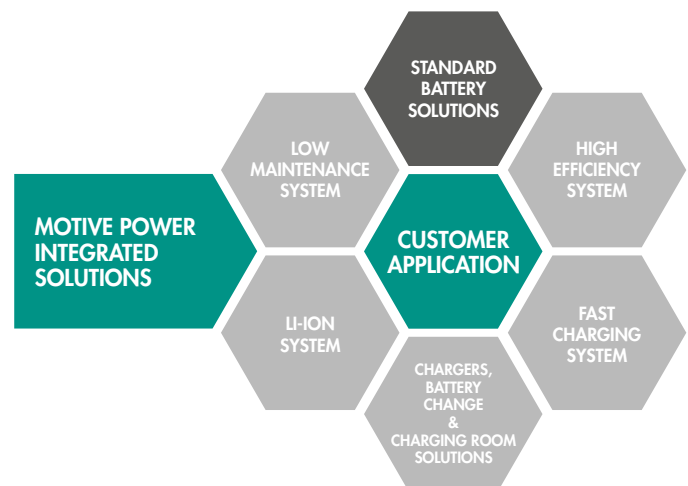
Elevato spessore con griglia a gabbia per il migliore trattenimento della materia attiva ed elevate caratteristiche di conducibilità elettrica.



PRODUCT SOLUTION	MDL - MBS
APPLICATION	Standard
TECHNOLOGY	VLA VRLA
MAINTENANCE	VLA = weekly VRLA = yearly
DESIGN	IEC 60254-2 series L-E (2V DIN-BS cells)
CAPACITY (C5)	100-1550 Ah
INTER-CELL CONNECTIONS	Bolted (std)
DESIGN LIFE (CYCLES*)	VLA 1500+ VRLA 1200+
SINGLE POINT WATERING	Optional (VLA)
AIR MIXING	Optional (VLA)
ELECTROLYTE LEVEL SENSOR	Optional (VLA)
CHARGING SOLUTION	7 to 12 hrs charging time with transformer or HF switching chargers
ENERGY PACK CHARGER	MIDATRON MTB (VLA) MIDATRON MTT (VLA) MIDATRON HF
BMU MODULE	Optional
BATTERY CHANGE SOLUTION	YES

**State-of-the-art production technology**, the standard MOTIVE POWER range includes the complete DIN and British Standard series according to EN60254-1/2 and in compliance with EN50272-3, available in the widest range of possible configurations and charging solutions, ensuring the most flexible answer to any specific application.

**Stato dell'arte nella tecnologia di produzione**, la gamma MOTIVE POWER include l'intera serie DIN e British Standard in conformità alle Norme EN60254-1/2 ed EN50272-3, disponibile nella più completa scelta di possibili configurazioni e soluzioni di ricarica, garantendo massima flessibilità per soddisfare qualsiasi esigenza applicativa.



(\*) 80% DoD at 30°C with Energy Pack configuration (applicable correcting factors to be considered)

MIDAC S.p.A. reserves the right to carry out at any time any kind of modification to the technical data, to the manufacturing procedures and/or top the range of products, without giving previous written information.

## TECHNICAL DATA AND PERFORMANCES / DATI E PRESTAZIONI

Cells Elementi		Capacity and discharge rate Capacità e regime di scarica		Nominal Weight Peso Nominale	Overall dimensions Dimensioni d'ingombro				
Range Serie	Type / Tipo		in 5 hours / in 5 ore		X mm	Y mm	H mm	h mm	
	MIDAC	PzS	Capacity Capacità						Current Corrente
			Ah	A					
				Kg					
<b>MDL 50</b>	<b>2 MDL 50</b>	2 PzS 100 L	<b>100</b>	20	<b>7,0</b>	46,5	<b>197,5</b>	305	<b>270</b>
	<b>3 MDL 50</b>	3 PzS 150 L	<b>150</b>	30	<b>9,9</b>	64,5	<b>197,5</b>	305	<b>270</b>
	<b>4 MDL 50</b>	4 PzS 200 L	<b>200</b>	40	<b>12,8</b>	82,5	<b>197,5</b>	305	<b>270</b>
	<b>5 MDL 50</b>	5 PzS 250 L	<b>250</b>	50	<b>15,6</b>	100,5	<b>197,5</b>	305	<b>270</b>
	<b>6 MDL 50</b>	6 PzS 300 L	<b>300</b>	60	<b>18,5</b>	118,5	<b>197,5</b>	305	<b>270</b>
	<b>7 MDL 50</b>	7 PzS 350 L	<b>350</b>	70	<b>21,3</b>	136,5	<b>197,5</b>	305	<b>270</b>
	<b>8 MDL 50</b>	8 PzS 400 L	<b>400</b>	80	<b>24,6</b>	154,5	<b>197,5</b>	305	<b>270</b>
	<b>9 MDL 50</b>	9 PzS 450 L	<b>450</b>	90	<b>27,0</b>	172,5	<b>197,5</b>	305	<b>270</b>
	<b>10 MDL 50</b>	10 PzS 500 L	<b>500</b>	100	<b>29,9</b>	190,5	<b>197,5</b>	305	<b>270</b>
	<b>MDL 60</b>	<b>2 MDL 60</b>	2 PzS 120 L	<b>120</b>	24	<b>8,3</b>	46,5	<b>197,5</b>	370
<b>3 MDL 60</b>		3 PzS 180 L	<b>180</b>	36	<b>11,5</b>	64,5	<b>197,5</b>	370	<b>335</b>
<b>4 MDL 60</b>		4 PzS 240 L	<b>240</b>	48	<b>14,9</b>	82,5	<b>197,5</b>	370	<b>335</b>
<b>5 MDL 60</b>		5 PzS 300 L	<b>300</b>	60	<b>17,9</b>	100,5	<b>197,5</b>	370	<b>335</b>
<b>6 MDL 60</b>		6 PzS 360 L	<b>360</b>	72	<b>21,6</b>	118,5	<b>197,5</b>	370	<b>335</b>
<b>7 MDL 60</b>		7 PzS 420 L	<b>420</b>	84	<b>24,6</b>	136,5	<b>197,5</b>	370	<b>335</b>
<b>8 MDL 60</b>		8 PzS 480 L	<b>480</b>	96	<b>27,8</b>	154,5	<b>197,5</b>	370	<b>335</b>
<b>9 MDL 60</b>		9 PzS 540 L	<b>540</b>	108	<b>31,1</b>	172,5	<b>197,5</b>	370	<b>335</b>
<b>10 MDL 60</b>		10 PzS 600 L	<b>600</b>	120	<b>34,4</b>	190,5	<b>197,5</b>	370	<b>335</b>
<b>MDL 80</b>		<b>2 MDL 80</b>	2 PzS 160 L	<b>160</b>	32	<b>10,4</b>	46,5	<b>197,5</b>	440
	<b>3 MDL 80</b>	3 PzS 240 L	<b>240</b>	48	<b>14,9</b>	64,5	<b>197,5</b>	440	<b>405</b>
	<b>4 MDL 80</b>	4 PzS 320 L	<b>320</b>	64	<b>18,9</b>	82,5	<b>197,5</b>	440	<b>405</b>
	<b>5 MDL 80</b>	5 PzS 400 L	<b>400</b>	80	<b>23,4</b>	100,5	<b>197,5</b>	440	<b>405</b>
	<b>6 MDL 80</b>	6 PzS 480 L	<b>480</b>	96	<b>27,8</b>	118,5	<b>197,5</b>	440	<b>405</b>
	<b>7 MDL 80</b>	7 PzS 560 L	<b>560</b>	112	<b>31,6</b>	136,5	<b>197,5</b>	440	<b>405</b>
	<b>8 MDL 80</b>	8 PzS 640 L	<b>640</b>	128	<b>36,2</b>	154,5	<b>197,5</b>	440	<b>405</b>
	<b>9 MDL 80</b>	9 PzS 720 L	<b>720</b>	144	<b>41,0</b>	172,5	<b>197,5</b>	440	<b>405</b>
	<b>10 MDL 80</b>	10 PzS 800 L	<b>800</b>	160	<b>45,5</b>	190,5	<b>197,5</b>	440	<b>405</b>

## DIN RANGE

Cells Elementi		Capacity and discharge rate Capacità e regime di scarica		Nominal Weight Peso Nominale	Overall dimensions Dimensioni d'ingombro				
Range Serie	Type / Tipo		in 5 hours / in 5 ore		X mm	Y mm	H mm	h mm	
	MIDAC	PzS	Capacity Capacità						Current Corrente
		Ah	A	Kg					
MDL 90	<b>2 MDL 90</b>	2 PzS 180 L	<b>180</b>	36	<b>11,9</b>	46,5	<b>197,5</b>	500	<b>465</b>
	<b>3 MDL 90</b>	3 PzS 270 L	<b>270</b>	54	<b>16,6</b>	64,5	<b>197,5</b>	500	<b>465</b>
	<b>4 MDL 90</b>	4 PzS 360 L	<b>360</b>	72	<b>21,8</b>	82,5	<b>197,5</b>	500	<b>465</b>
	<b>5 MDL 90</b>	5 PzS 450 L	<b>450</b>	90	<b>26,5</b>	100,5	<b>197,5</b>	500	<b>465</b>
	<b>6 MDL 90</b>	6 PzS 540 L	<b>540</b>	108	<b>31,7</b>	118,5	<b>197,5</b>	500	<b>465</b>
	<b>7 MDL 90</b>	7 PzS 630 L	<b>630</b>	126	<b>36,6</b>	136,5	<b>197,5</b>	500	<b>465</b>
	<b>8 MDL 90</b>	8 PzS 720 L	<b>720</b>	144	<b>41,4</b>	154,5	<b>197,5</b>	500	<b>465</b>
	<b>9 MDL 90</b>	9 PzS 810 L	<b>810</b>	162	<b>46,5</b>	172,5	<b>197,5</b>	500	<b>465</b>
	<b>10 MDL 90</b>	10 PzS 900 L	<b>900</b>	180	<b>51,6</b>	190,5	<b>197,5</b>	500	<b>465</b>
	MDL 105	<b>2 MDL 105</b>	2 PzS 210 L	<b>210</b>	42	<b>13,2</b>	46,5	<b>197,5</b>	550
<b>3 MDL 105</b>		3 PzS 315 L	<b>315</b>	63	<b>19,6</b>	64,5	<b>197,5</b>	550	<b>515</b>
<b>4 MDL 105</b>		4 PzS 420 L	<b>420</b>	84	<b>24,0</b>	82,5	<b>197,5</b>	550	<b>515</b>
<b>5 MDL 105</b>		5 PzS 525 L	<b>525</b>	105	<b>30,4</b>	100,5	<b>197,5</b>	550	<b>515</b>
<b>6 MDL 105</b>		6 PzS 630 L	<b>630</b>	126	<b>35,6</b>	118,5	<b>197,5</b>	550	<b>515</b>
<b>7 MDL 105</b>		7 PzS 735 L	<b>735</b>	147	<b>39,9</b>	136,5	<b>197,5</b>	550	<b>515</b>
<b>8 MDL 105</b>		8 PzS 840 L	<b>840</b>	168	<b>44,8</b>	154,5	<b>197,5</b>	550	<b>515</b>
<b>9 MDL 105</b>		9 PzS 945 L	<b>945</b>	189	<b>49,8</b>	172,5	<b>197,5</b>	550	<b>515</b>
<b>10 MDL 105*</b>		10 PzS 1050 L	<b>1050</b>	210	<b>54,7</b>	190,5	<b>197,5</b>	550	<b>515</b>
MDL 115		<b>2 MDL 115</b>	2 PzS 230 L	<b>230</b>	46	<b>14,1</b>	46,5	<b>197,5</b>	570
	<b>3 MDL 115</b>	3 PzS 345 L	<b>345</b>	69	<b>20,8</b>	64,5	<b>197,5</b>	570	<b>535</b>
	<b>4 MDL 115</b>	4 PzS 460 L	<b>460</b>	92	<b>25,8</b>	82,5	<b>197,5</b>	570	<b>535</b>
	<b>5 MDL 115</b>	5 PzS 575 L	<b>575</b>	115	<b>31,8</b>	100,5	<b>197,5</b>	570	<b>535</b>
	<b>6 MDL 115</b>	6 PzS 690 L	<b>690</b>	138	<b>37,3</b>	118,5	<b>197,5</b>	570	<b>535</b>
	<b>7 MDL 115</b>	7 PzS 805 L	<b>805</b>	161	<b>43,9</b>	136,5	<b>197,5</b>	570	<b>535</b>
	<b>8 MDL 115</b>	8 PzS 920 L	<b>920</b>	184	<b>50,2</b>	154,5	<b>197,5</b>	570	<b>535</b>
	<b>9 MDL 115</b>	9 PzS 1035 L	<b>1035</b>	207	<b>56,3</b>	172,5	<b>197,5</b>	570	<b>535</b>
	<b>10 MDL 115*</b>	10 PzS 1150 L	<b>1150</b>	230	<b>61,8</b>	190,5	<b>197,5</b>	570	<b>535</b>

## DIN RANGE

Cells Elementi			Capacity and discharge rate Capacità e regime di scarica		Nominal Weight Peso Nominale	Overall dimensions Dimensioni d'ingombro			
Range Serie	Type / Tipo		in 5 hours / in 5 ore			X mm	Y mm	H mm	h mm
	MIDAC	PzS	Capacity Capacità	Current Corrente					
			Ah	A	Kg				
<b>MDL 125</b>	<b>2 MDL 125</b>	2 PzS 250 L	<b>250</b>	50	<b>14,7</b>	46,5	<b>197,5</b>	605	<b>570</b>
	<b>3 MDL 125</b>	3 PzS 375 L	<b>375</b>	75	<b>21,5</b>	64,5	<b>197,5</b>	605	<b>570</b>
	<b>4 MDL 125</b>	4 PzS 500 L	<b>500</b>	100	<b>26,8</b>	82,5	<b>197,5</b>	605	<b>570</b>
	<b>5 MDL 125</b>	5 PzS 625 L	<b>625</b>	125	<b>33,5</b>	100,5	<b>197,5</b>	605	<b>570</b>
	<b>6 MDL 125</b>	6 PzS 750 L	<b>750</b>	150	<b>39,0</b>	118,5	<b>197,5</b>	605	<b>570</b>
	<b>7 MDL 125</b>	7 PzS 875 L	<b>875</b>	175	<b>45,3</b>	136,5	<b>197,5</b>	605	<b>570</b>
	<b>8 MDL 125</b>	8 PzS 1000 L	<b>1000</b>	200	<b>50,6</b>	154,5	<b>197,5</b>	605	<b>570</b>
	<b>9 MDL 125</b>	9 PzS 1125 L	<b>1125</b>	225	<b>56,9</b>	172,5	<b>197,5</b>	605	<b>570</b>
	<b>10 MDL 125*</b>	10 PzS 1250 L	<b>1250</b>	250	<b>62,9</b>	190,5	<b>197,5</b>	605	<b>570</b>
	<b>MDL 140</b>	<b>2 MDL 140</b>	2 PzS 280 L	<b>280</b>	56	<b>18,8</b>	46,5	<b>197,5</b>	730
<b>3 MDL 140</b>		3 PzS 420 L	<b>420</b>	84	<b>25,4</b>	64,5	<b>197,5</b>	730	<b>695</b>
<b>4 MDL 140</b>		4 PzS 560 L	<b>560</b>	112	<b>32,7</b>	82,5	<b>197,5</b>	730	<b>695</b>
<b>5 MDL 140</b>		5 PzS 700 L	<b>700</b>	140	<b>40,5</b>	100,5	<b>197,5</b>	730	<b>695</b>
<b>6 MDL 140</b>		6 PzS 840 L	<b>840</b>	168	<b>47,8</b>	118,5	<b>197,5</b>	730	<b>695</b>
<b>7 MDL 140</b>		7 PzS 980 L	<b>980</b>	196	<b>55,0</b>	136,5	<b>197,5</b>	730	<b>695</b>
<b>8 MDL 140</b>		8 PzS 1120 L	<b>1120</b>	224	<b>62,2</b>	154,5	<b>197,5</b>	730	<b>695</b>
<b>9 MDL 140</b>		9 PzS 1260 L	<b>1260</b>	252	<b>69,5</b>	172,5	<b>197,5</b>	730	<b>695</b>
<b>10 MDL 140*</b>		10 PzS 1400 L	<b>1400</b>	280	<b>76,7</b>	190,5	<b>197,5</b>	730	<b>695</b>
<b>MDL 155N</b>		<b>2 MDL 155N</b>	2 PzS 310 L	<b>310</b>	62	<b>19,8</b>	46,5	<b>197,5</b>	750
	<b>3 MDL 155N</b>	3 PzS 465 L	<b>465</b>	93	<b>26,7</b>	64,5	<b>197,5</b>	750	<b>720</b>
	<b>4 MDL 155N</b>	4 PzS 620 L	<b>620</b>	124	<b>34,5</b>	82,5	<b>197,5</b>	750	<b>720</b>
	<b>5 MDL 155N</b>	5 PzS 775 L	<b>775</b>	155	<b>41,7</b>	100,5	<b>197,5</b>	750	<b>720</b>
	<b>6 MDL 155N</b>	6 PzS 930 L	<b>930</b>	186	<b>50,1</b>	118,5	<b>197,5</b>	750	<b>720</b>
	<b>7 MDL 155N</b>	7 PzS 1085 L	<b>1085</b>	217	<b>57,9</b>	136,5	<b>197,5</b>	750	<b>720</b>
	<b>8 MDL 155N</b>	8 PzS 1240 L	<b>1240</b>	248	<b>66,0</b>	154,5	<b>197,5</b>	750	<b>720</b>
	<b>9 MDL 155N</b>	9 PzS 1395 L	<b>1395</b>	279	<b>73,3</b>	172,5	<b>197,5</b>	750	<b>720</b>
	<b>10 MDL 155N*</b>	10 PzS 1550 L	<b>1550</b>	310	<b>81,1</b>	190,5	<b>197,5</b>	750	<b>720</b>

\* Double Pillar (CT)  
Doppio Polo (CT)

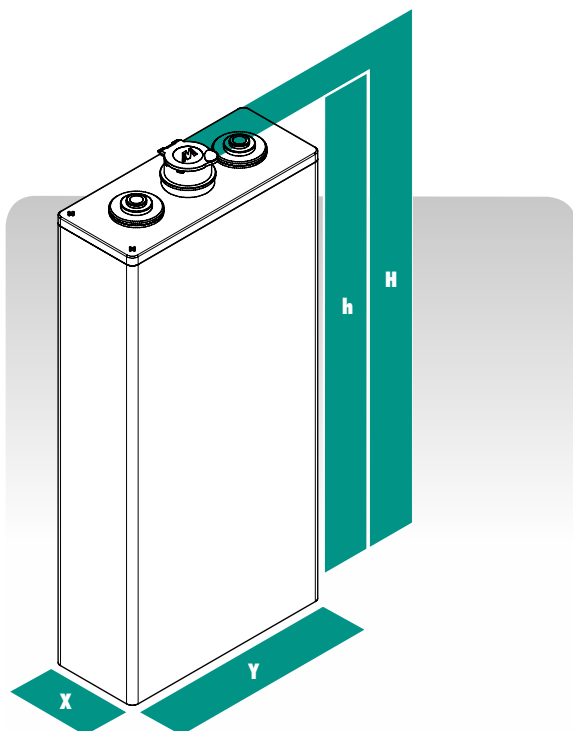
## BS RANGE

Cells Elementi			Capacity and discharge rate Capacità e regime di scarica		Nominal Weight Peso Nominale	Overall dimensions Dimensioni d'ingombro			
Range Serie	Type / Tipo		in 5 hours / in 5 ore			X mm	Y mm	H mm	h mm
	MIDAC	PzB	Capacity Capacità	Current Corrente					
			Ah	A	Kg				
<b>MBS 55</b>	<b>2 MBS 55</b>	2 PzB 110	<b>110</b>	22	<b>8,4</b>	45	<b>157,5</b>	432	<b>402</b>
	<b>3 MBS 55</b>	3 PzB 165	<b>165</b>	33	<b>11,5</b>	61	<b>157,5</b>	432	<b>402</b>
	<b>4 MBS 55</b>	4 PzB 220	<b>220</b>	44	<b>14,6</b>	77	<b>157,5</b>	432	<b>402</b>
	<b>5 MBS 55</b>	5 PzB 275	<b>275</b>	55	<b>17,8</b>	93	<b>157,5</b>	432	<b>402</b>
	<b>6 MBS 55</b>	6 PzB 330	<b>330</b>	66	<b>20,9</b>	109	<b>157,5</b>	432	<b>402</b>
	<b>7 MBS 55</b>	7 PzB 385	<b>385</b>	77	<b>24,1</b>	125	<b>157,5</b>	432	<b>402</b>
	<b>8 MBS 55</b>	8 PzB 440	<b>440</b>	88	<b>27,2</b>	141	<b>157,5</b>	432	<b>402</b>
	<b>9 MBS 55</b>	9 PzB 495	<b>495</b>	99	<b>30,3</b>	157	<b>157,5</b>	432	<b>402</b>
	<b>10 MBS 55</b>	10 PzB 550	<b>550</b>	110	<b>33,5</b>	173	<b>157,5</b>	432	<b>402</b>
	<b>MBS 65</b>	<b>2 MBS 65</b>	2 PzB 130	<b>130</b>	26	<b>9,5</b>	45	<b>157,5</b>	484
<b>3 MBS 65</b>		3 PzB 195	<b>195</b>	39	<b>12,9</b>	61	<b>157,5</b>	484	<b>454</b>
<b>4 MBS 65</b>		4 PzB 260	<b>260</b>	52	<b>16,5</b>	77	<b>157,5</b>	484	<b>454</b>
<b>5 MBS 65</b>		5 PzB 325	<b>325</b>	65	<b>20,0</b>	93	<b>157,5</b>	484	<b>454</b>
<b>6 MBS 65</b>		6 PzB 390	<b>390</b>	78	<b>23,5</b>	109	<b>157,5</b>	484	<b>454</b>
<b>7 MBS 65</b>		7 PzB 455	<b>455</b>	91	<b>27,0</b>	125	<b>157,5</b>	484	<b>454</b>
<b>8 MBS 65</b>		8 PzB 520	<b>520</b>	104	<b>30,4</b>	141	<b>157,5</b>	484	<b>454</b>
<b>9 MBS 65</b>		9 PzB 585	<b>585</b>	117	<b>33,9</b>	157	<b>157,5</b>	484	<b>454</b>
<b>10 MBS 65</b>		10 PzB 650	<b>650</b>	130	<b>37,4</b>	173	<b>157,5</b>	484	<b>454</b>
<b>MBS 75</b>		<b>2 MBS 75</b>	2 PzB 150	<b>150</b>	30	<b>10,3</b>	45	<b>157,5</b>	543
	<b>3 MBS 75</b>	3 PzB 225	<b>225</b>	45	<b>14,3</b>	61	<b>157,5</b>	543	<b>513</b>
	<b>4 MBS 75</b>	4 PzB 300	<b>300</b>	60	<b>18,2</b>	77	<b>157,5</b>	543	<b>513</b>
	<b>5 MBS 75</b>	5 PzB 375	<b>375</b>	75	<b>22,4</b>	93	<b>157,5</b>	543	<b>513</b>
	<b>6 MBS 75</b>	6 PzB 450	<b>450</b>	90	<b>26,2</b>	109	<b>157,5</b>	543	<b>513</b>
	<b>7 MBS 75</b>	7 PzB 525	<b>525</b>	105	<b>29,7</b>	125	<b>157,5</b>	543	<b>513</b>
	<b>8 MBS 75</b>	8 PzB 600	<b>600</b>	120	<b>34,5</b>	141	<b>157,5</b>	543	<b>513</b>
	<b>9 MBS 75</b>	9 PzB 675	<b>675</b>	135	<b>38,1</b>	157	<b>157,5</b>	543	<b>513</b>
	<b>10 MBS 75</b>	10 PzB 750	<b>750</b>	150	<b>42,1</b>	173	<b>157,5</b>	543	<b>513</b>
	<b>MBS 85</b>	<b>2 MBS 85</b>	2 PzB 170	<b>170</b>	34	<b>12,1</b>	45	<b>157,5</b>	597
<b>3 MBS 85</b>		3 PzB 255	<b>255</b>	51	<b>16,6</b>	61	<b>157,5</b>	597	<b>567</b>
<b>4 MBS 85</b>		4 PzB 340	<b>340</b>	68	<b>20,4</b>	77	<b>157,5</b>	597	<b>567</b>
<b>5 MBS 85</b>		5 PzB 425	<b>425</b>	85	<b>25,6</b>	93	<b>157,5</b>	597	<b>567</b>
<b>6 MBS 85</b>		6 PzB 510	<b>510</b>	102	<b>27,9</b>	109	<b>157,5</b>	597	<b>567</b>
<b>7 MBS 85</b>		7 PzB 595	<b>595</b>	119	<b>31,7</b>	125	<b>157,5</b>	597	<b>567</b>
<b>8 MBS 85</b>		8 PzB 680	<b>680</b>	136	<b>34,7</b>	141	<b>157,5</b>	597	<b>567</b>
<b>9 MBS 85</b>		9 PzB 765	<b>765</b>	153	<b>39,2</b>	157	<b>157,5</b>	597	<b>567</b>
<b>10 MBS 85</b>		10 PzB 850	<b>850</b>	170	<b>43,0</b>	173	<b>157,5</b>	597	<b>567</b>

## BS RANGE

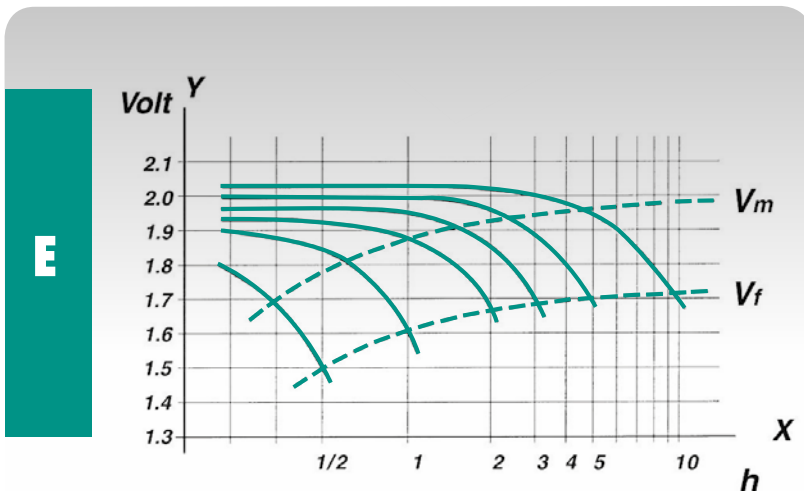
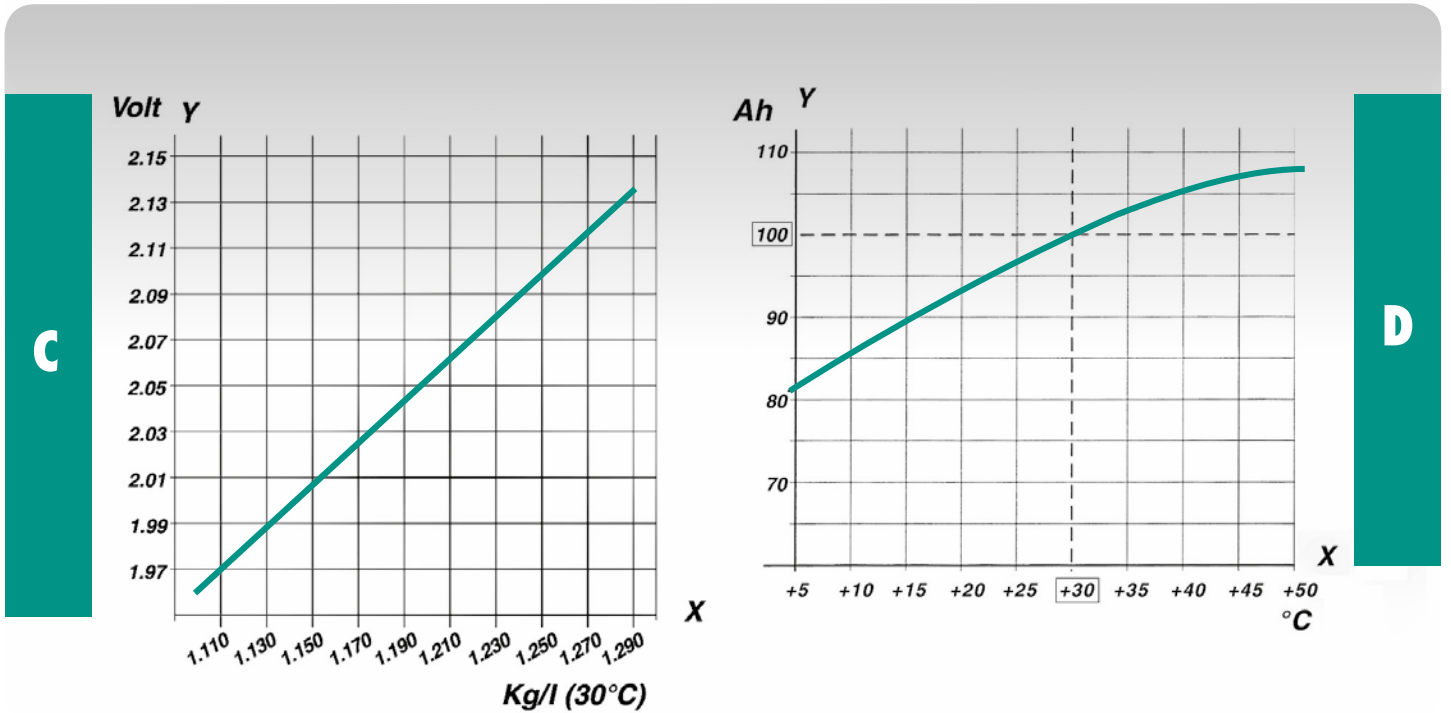
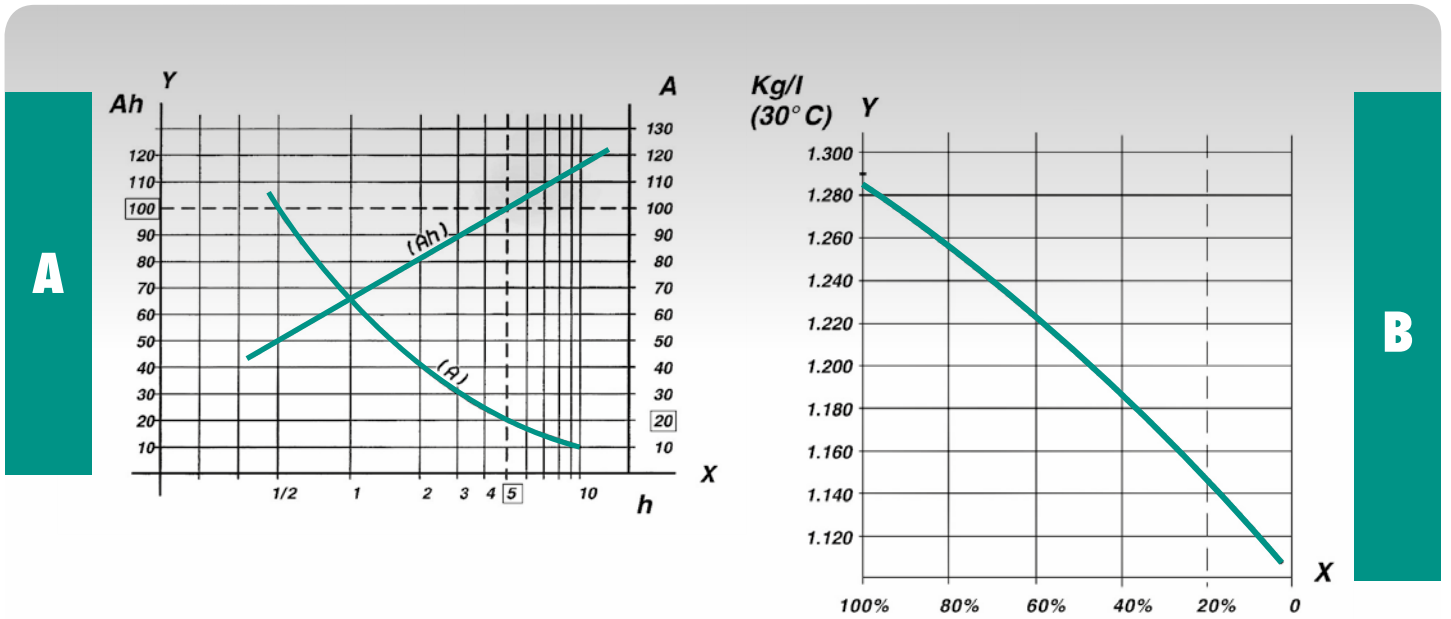
Cells Elements			Capacity and discharge rate Capacità e regime di scarica		Nominal Weight Peso Nominale	Overall dimensions Dimensioni d'ingombro			
Range Serie	Type / Tipo		in 5 hours / in 5 ore			X mm	Y mm	H mm	h mm
	MIDAC	PzB	Capacity	Current					
			Capacità	Corrente					
			Ah	A	Kg				
<b>MBS 100</b>	<b>2 MBS 100</b>	2 PzB 200	<b>200</b>	40	<b>13,0</b>	45	<b>157,5</b>	634	<b>604</b>
	<b>3 MBS 100</b>	3 PzB 300	<b>300</b>	60	<b>17,9</b>	61	<b>157,5</b>	634	<b>604</b>
	<b>4 MBS 100</b>	4 PzB 400	<b>400</b>	80	<b>22,8</b>	77	<b>157,5</b>	634	<b>604</b>
	<b>5 MBS 100</b>	5 PzB 500	<b>500</b>	100	<b>27,7</b>	93	<b>157,5</b>	634	<b>604</b>
	<b>6 MBS 100</b>	6 PzB 600	<b>600</b>	120	<b>32,5</b>	109	<b>157,5</b>	634	<b>604</b>
	<b>7 MBS 100</b>	7 PzB 700	<b>700</b>	140	<b>37,4</b>	125	<b>157,5</b>	634	<b>604</b>
	<b>8 MBS 100</b>	8 PzB 800	<b>800</b>	160	<b>42,3</b>	141	<b>157,5</b>	634	<b>604</b>
	<b>9 MBS 100</b>	9 PzB 900	<b>900</b>	180	<b>47,2</b>	157	<b>157,5</b>	634	<b>604</b>
	<b>10 MBS 100</b>	10 PzB 1000	<b>1000</b>	200	<b>52,1</b>	173	<b>157,5</b>	634	<b>604</b>
	<b>MBS 105</b>	<b>2 MBS 105</b>	2 PzB 210	<b>210</b>	42	<b>14,6</b>	45	<b>157,5</b>	718
<b>3 MBS 105</b>		3 PzB 315	<b>315</b>	63	<b>20,1</b>	61	<b>157,5</b>	718	<b>688</b>
<b>4 MBS 105</b>		4 PzB 420	<b>420</b>	84	<b>25,8</b>	77	<b>157,5</b>	718	<b>688</b>
<b>5 MBS 105</b>		5 PzB 525	<b>525</b>	105	<b>31,6</b>	93	<b>157,5</b>	718	<b>688</b>
<b>6 MBS 105</b>		6 PzB 630	<b>630</b>	126	<b>36,9</b>	109	<b>157,5</b>	718	<b>688</b>
<b>7 MBS 105</b>		7 PzB 735	<b>735</b>	147	<b>42,5</b>	125	<b>157,5</b>	718	<b>688</b>
<b>8 MBS 105</b>		8 PzB 840	<b>840</b>	168	<b>48,0</b>	141	<b>157,5</b>	718	<b>688</b>
<b>9 MBS 105</b>		9 PzB 945	<b>945</b>	189	<b>53,7</b>	157	<b>157,5</b>	718	<b>688</b>
<b>10 MBS 105</b>		10 PzB 1050	<b>1050</b>	210	<b>59,3</b>	173	<b>157,5</b>	718	<b>688</b>

## CELL DIMENSIONS / DIMENSIONI CELLA





## PERFORMANCE CURVES / CURVE CARATTERISTICHE



<p><b>A</b> Capacity</p> <p><b>B</b> Density</p> <p><b>C</b> Voltage</p> <p><b>D</b> Capacity</p> <p><b>E</b> Voltage</p>	<p><b>(Y)</b> - Discharge Rates</p> <p><b>(Y)</b> - State of Charge</p> <p><b>(Y)</b> - Specific Gravity</p> <p><b>(Y)</b> - Temperature</p> <p><b>(Y)</b> - Discharge Rates</p>	<p><b>(X)</b></p> <p><b>(X)</b></p> <p><b>(X)</b></p> <p><b>(X)</b></p> <p><b>(X)</b></p>
<p><b>A</b> Capacità</p> <p><b>B</b> Densità</p> <p><b>C</b> Tensione</p> <p><b>D</b> Capacità</p> <p><b>E</b> Tensione</p>	<p><b>(Y)</b> - Regimi di scarica</p> <p><b>(Y)</b> - Stato di carica</p> <p><b>(Y)</b> - Densità</p> <p><b>(Y)</b> - Temperatura</p> <p><b>(Y)</b> - Regimi di scarica</p>	<p><b>(X)</b></p> <p><b>(X)</b></p> <p><b>(X)</b></p> <p><b>(X)</b></p> <p><b>(X)</b></p>

# MIDATRON CHARGING SOLUTIONS



## MIDATRON HE

APPLICATION	HIGH EFFICIENCY - FAST CHARGING
TECHNOLOGY	MULTI-VOLTAGE HIGH FREQUENCY SWITCHING
DESIGN	WALL MOUNTED
MAINS	SINGLE-PHASE / THREE-PHASE
CHARGING PROFILE	BMU CONTROLLED IUIa
CHARGING TIME	7 to 12 hrs (or FAST)
USER INTERFACE	TOP CONFIGURATION
CONNECTIVITY	YES
PROTECTION	IP21
COOLING	FAN

(models with charging current exceeding 150A, see floor mounted MULTI-VOLTAGE IGBT versions)

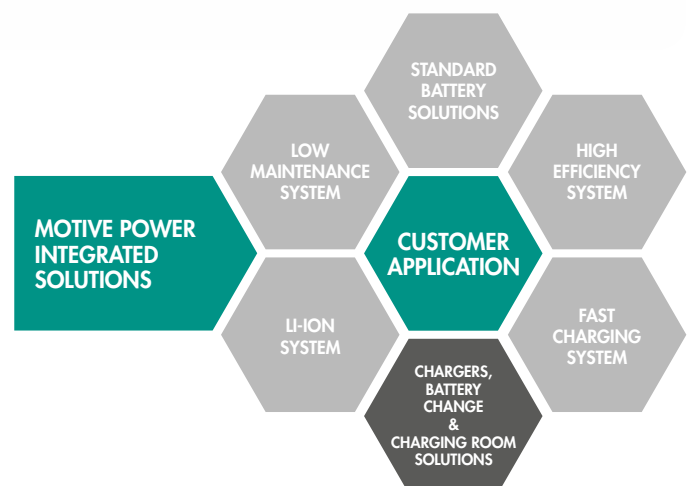


## MIDATRON MTT

APPLICATION	STANDARD TOP
TECHNOLOGY	POWER TRANSFORMER
DESIGN	SHELF - FLOOR MOUNTED
MAINS	THREE-PHASE
CHARGING PROFILE	W <sub>sa</sub> PULSE
CHARGING TIME	7 to 8 hrs
USER INTERFACE	TOP CONFIGURATION
CONNECTIVITY	YES
PROTECTION	IP21
COOLING	NATURAL

Forefront of charging solutions, MIDATRON HE and MIDATRON MTT actually represent the TOP range from any point of view. Respectively full 100kHz High Frequency switching and 12 Pulse rectification technology, with amazing EFFICIENCY characteristics, ALL the most advanced features are included, starting from the user-friendly interface to the powerline communication with the BMU (MB2).

Avanguardia nelle soluzioni di ricarica, MIDATRON HE e MIDATRON MTT rappresentano effettivamente la gamma TOP da ogni punto di vista. Rispettivamente con tecnologia di commutazione ad Alta Frequenza 100kHz e raddrizzamento a 12 impulsi, con sorprendenti caratteristiche di EFFICIENZA, includono tutte le più avanzate soluzioni tecnologiche, dall'interfaccia utente semplice ed intuitiva alla comunicazione ad onde convogliate con il modulo batterie (BMU = MB2).





## MIDATRON HF

APPLICATION	STANDARD BASIC
TECHNOLOGY	HIGH FREQUENCY SWITCHING
DESIGN	WALL MOUNTED
MAINS	SINGLE-PHASE / THREE-PHASE
CHARGING PROFILE	IUI $\alpha$
CHARGING TIME	7 to 12 hrs
USER INTERFACE	BASIC CONFIGURATION
CONNECTIVITY	NO
PROTECTION	IP21
COOLING	FAN

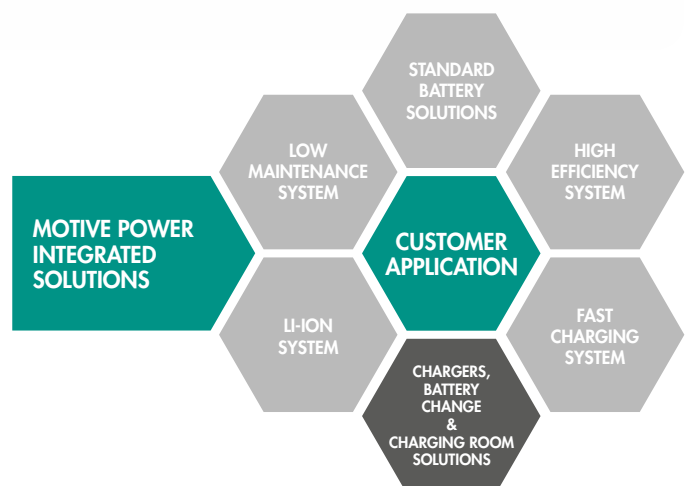


## MIDATRON MTB

APPLICATION	STANDARD BASIC
TECHNOLOGY	POWER TRANSFORMER
DESIGN	SHELF - FLOOR MOUNTED
MAINS	SINGLE-PHASE / THREE-PHASE
CHARGING PROFILE	W $\alpha$
CHARGING TIME	10 to 12 hrs
USER INTERFACE	BASIC CONFIGURATION
CONNECTIVITY	NO
PROTECTION	IP21
COOLING	NATURAL

Solid charging solutions, MIDATRON HF and MIDATRON MTB represent the BASIC range with HIGH QUALITY and concrete reliability characteristics. Respectively High Frequency switching and power transformer technology, both the versions include the user-friendly interface common to all the MIDATRON products.

Soluzioni di ricarica robuste, MIDATRON HF e MIDATRON MTB rappresentano la gamma base con caratteristiche di ELEVATA QUALITÀ e consistente AFFIDABILITÀ. Rispettivamente con tecnologia di commutazione ad Alta Frequenza ed a trasformatore di potenza, entrambe le versioni includono l'interfaccia utente semplice ed intuitiva comune a tutti i prodotti MIDATRON.





#### **MIDAC S.p.A.**

VIA A.VOLTA, 2 - Z.I. - 37038 SOAVE (VERONA) - ITALIA  
TEL. +39 045 61 32 1 32 - FAX +39 045 61 32 1 33  
E-mail: [midac@midacbatteries.com](mailto:midac@midacbatteries.com)

#### **MIDAC DEUTSCHLAND GMBH**

BERSRÖDER STRASSE 23 - 35447  
REISKIRCHEN - DEUTSCHLAND  
TEL. +49 6408 5036390 - FAX +49 6408 50363915  
E-MAIL: [VERTRIEB@MIDACBATTERIES.COM](mailto:VERTRIEB@MIDACBATTERIES.COM)

#### **MIDAC NEDERLAND BV**

KEPLERLAAN 10 - 6716BS EDE - NEDERLAND  
TEL. +31 318 678230 - FAX +31 318 678231  
E-mail: [verkoop@midacbatteries.com](mailto:verkoop@midacbatteries.com)

#### **MIDAC AUSTRALIA PTY LIMITED**

2/32 BLUETT DRIVE  
SMEATON GRANGE, NSW, 2567  
E-mail: [midac.australia@midacbatteries.com](mailto:midac.australia@midacbatteries.com)

#### **MIDAC FRANCE S.A.R.L.**

Z.I. - ROUTE DE COLMAR BP 9070  
68502 GUEBWILLER CEDEX - FRANCE  
TEL. +33 03 89 622380 - FAX +33 03 89 622375  
E-mail: [contact@midacbatteries.com](mailto:contact@midacbatteries.com)

#### **MIDAC UK LTD**

15 RADFORDS FIELD - MAESBURY ROAD - OSWESTRY  
SHROPSHIRE - SY10 8RA - UK  
TEL. +44 01691 663111 - FAX +44 01691 653066  
E-mail: [enquiries@midacbatteries.com](mailto:enquiries@midacbatteries.com)  
SALES OFFICE IRELAND  
141 LOUGHGALL ROAD - COUNTY ARMAGH  
BT 618EW - IRELAND  
TEL. + 44 02837 511744

#### **QUALITY AND FLEXIBILITY**

MIDAC is very committed in providing the market with a wide range of products, ensuring premium quality and maximum flexibility to satisfy any requirement, also engineering customized solutions.

MIDAC'S management system is certified according to:

ISO 9001:2008, ISO/TS 16949:2009, ISO 14001:2004, BS OHSAS 18001:2007, SA 8000:2008



#### **MIDAC SPA SPA HEADQUARTER, SOAVE, VERONA, ITALY**

Unica realtà a produrre batterie avviamento, trazione e stazionarie in un singolo stabilimento produttivo, in 25 anni è diventata una delle aziende leader in Europa con prodotti distribuiti in tutto il mondo.

*The only company that produces Automotive, Motive power and Stationary batteries in the same manufacturing plant, in less than 25 years it has become one of the leading companies in Europe and its products are sold worldwide.*

#### **MIDAC PRODUZIONE VERDE**

Midac utilizza l'energia pulita prodotta dal proprio impianto fotovoltaico per la produzione di batterie e accumulatori, evitando l'emissione di 945 tonnellate di CO<sub>2</sub> ogni anno.

#### **MIDAC GREEN PRODUCTION**

*Midac uses clean energy produced by your photovoltaic system for the production of batteries and accumulators, avoiding the emission of 945 tons of CO<sub>2</sub> each year.*

