

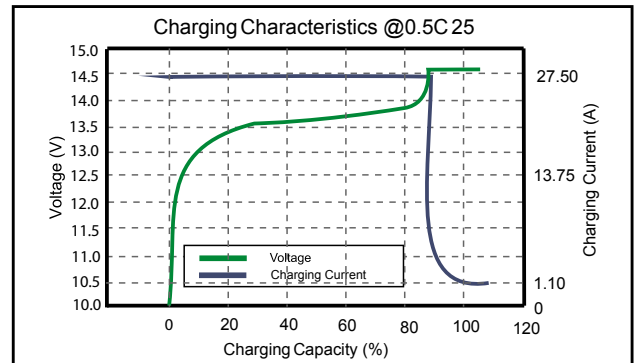


Lithium Iron Phosphate Battery

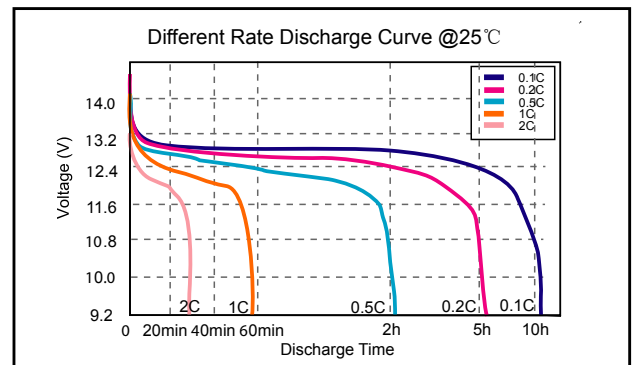
**LiFe12-55**

12.8V55Ah

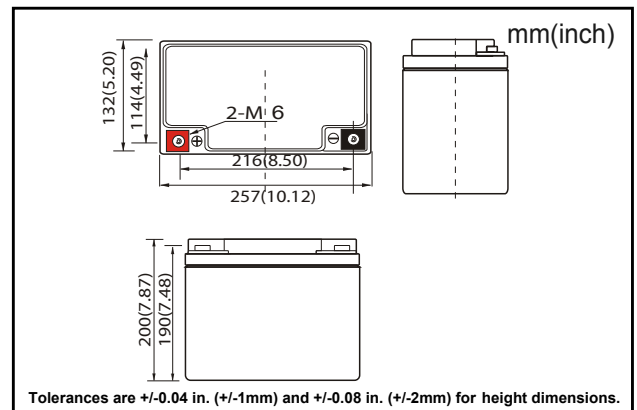
**Charge Characteristics**



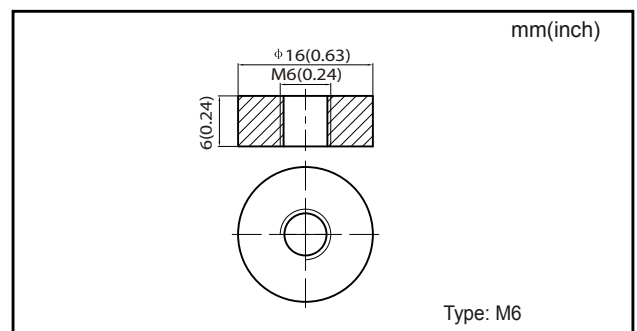
**Different Rate Discharge Curve**



**Dimensions**



**Terminal**



**Features of LiFePO4 Battery**

Lithium Iron Phosphate Batteries are lighter with longer cycle life than traditional batteries. Along with superior safety and environmental records, it can be used in many applications such as UPS, telecom, solar & wind storage, electric wheelchair, etc.

**Specification**

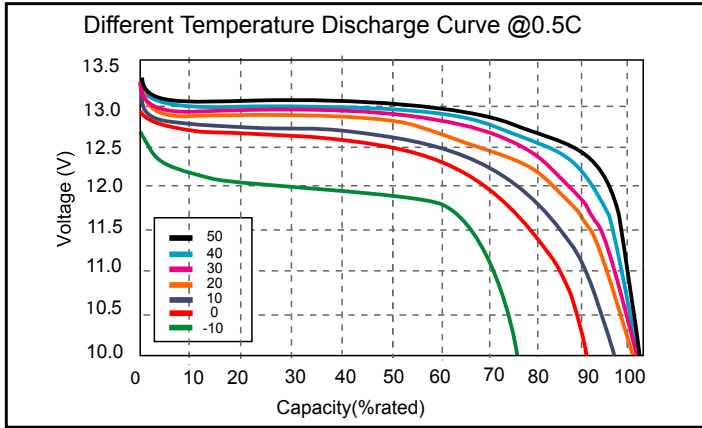
• NOMINAL VOLTAGE	: 12.8V
• NOMINAL CAPACITY(C <sub>s</sub> ,25°C)	: 55Ah
• DIMENSIONS	
HEIGHT	: 200 mm ( 7.87 inches )
WIDTH	: 132 mm ( 5.20 inches )
LENGTH	: 257 mm ( 10.12 inches )
• NET WEIGHT(UNIT)	: APPROX 8.12 Kg ( 17.90lbs )
• INTERNAL RESISTANCE	: 30mΩ
• MONTHS SELF DISCHARGE	: < 3%
• CYCLE LIFE	: > 2000 cycles @ 1C 100%DOD

**Characteristics**

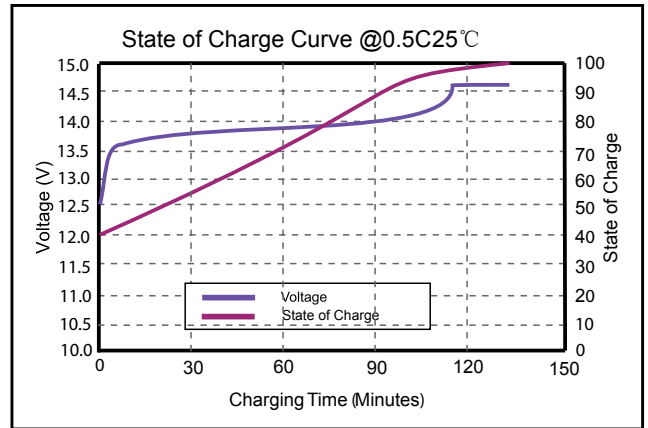
• CHARGE MODE: 0.2C to 14.6V, then 14.6V, charge current to 0.02C(CC/CV)	
• CHARGE VOLTAGE	: 14.6 ± 0.2V
• CHARGER CURRENT	: 25A
• MAX. CHARGE CURRENT	: 55A
• CHARGE CUT-OFF VOLTAGE	: 15.6V ± 0.2V
• EFFICIENCY OF CHARGE	: 100% @ 0.5C
• DISCHARGE MAX. PULSE CURRENT	: 80A(<3S)
• CONTINUOUS DISCHARGE CURRENT	: 70A
• DISCHARGE CUT-OFF VOLTAGE	: 8V
• EFFICIENCY OF DISCHARGE	: 96~99% @ 1C
• CHARGE TEMPERATURE: 0°C~45°C@60 ± 25% Relative humidity	
• DISCHARGE TEMPERATURE: -20°C~60°C@60 ± 25% Relative humidity	
• STORAGE TEMPERATURE: 0°C~40°C@60 ± 25% Relative humidity	
• WATER DUST RESISTANCE	: IP56
• CELL & METHOD	: 26650 4S18P
• PLASTIC CASE	: ABS
• PROTOCOL(OPTIONAL)	: SMBus/RS485/RS232
• SOC(OPTIONAL)	: LED

\*Specifications subject to change without notification.

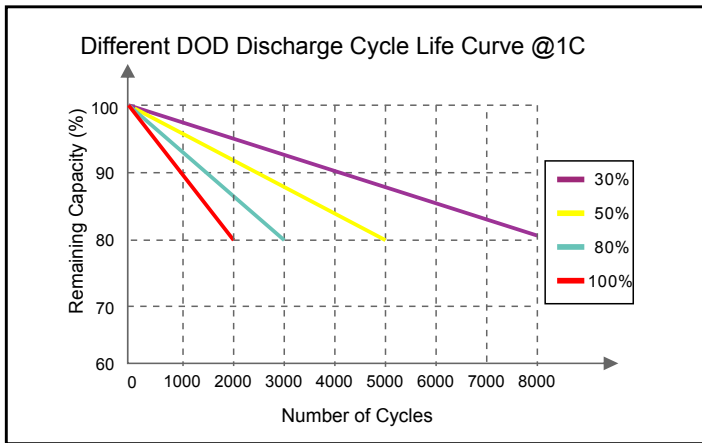
## Different Temperature Discharge Curve



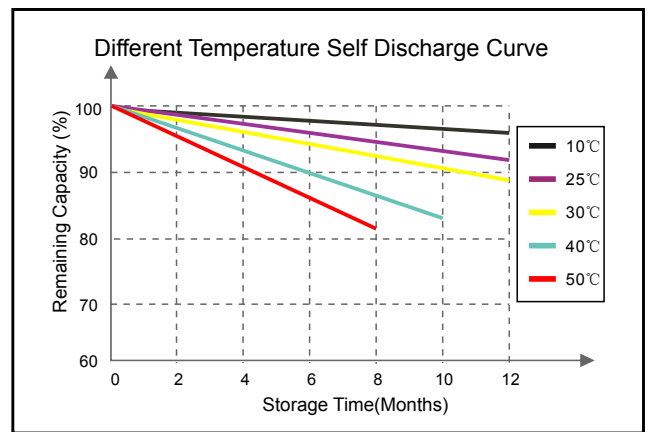
## State of Charge Curve



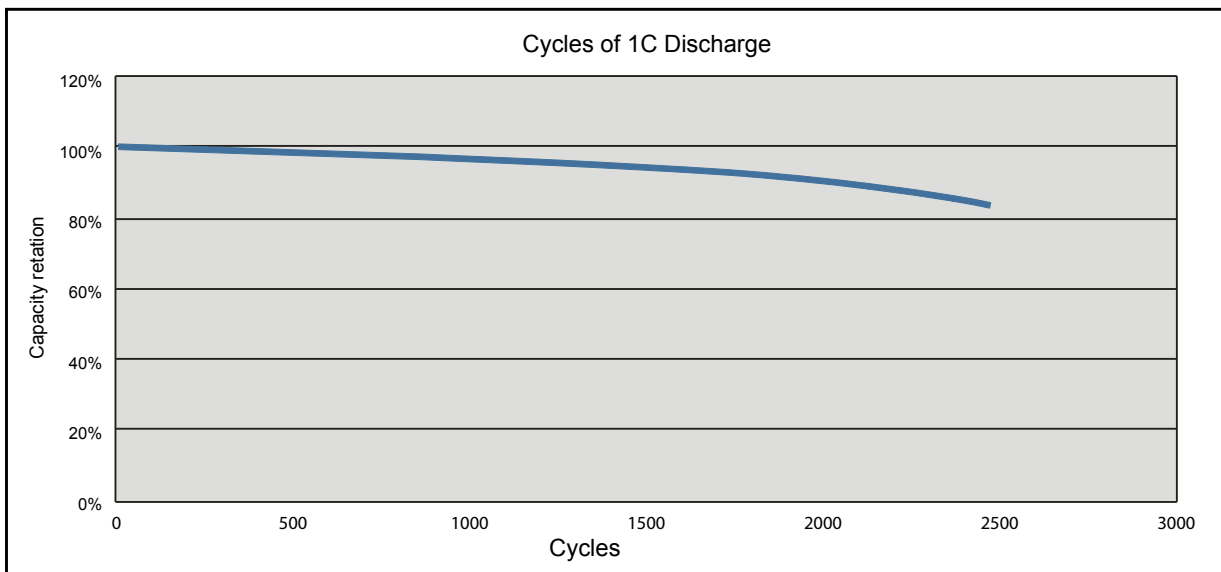
## Cycle Life Curve



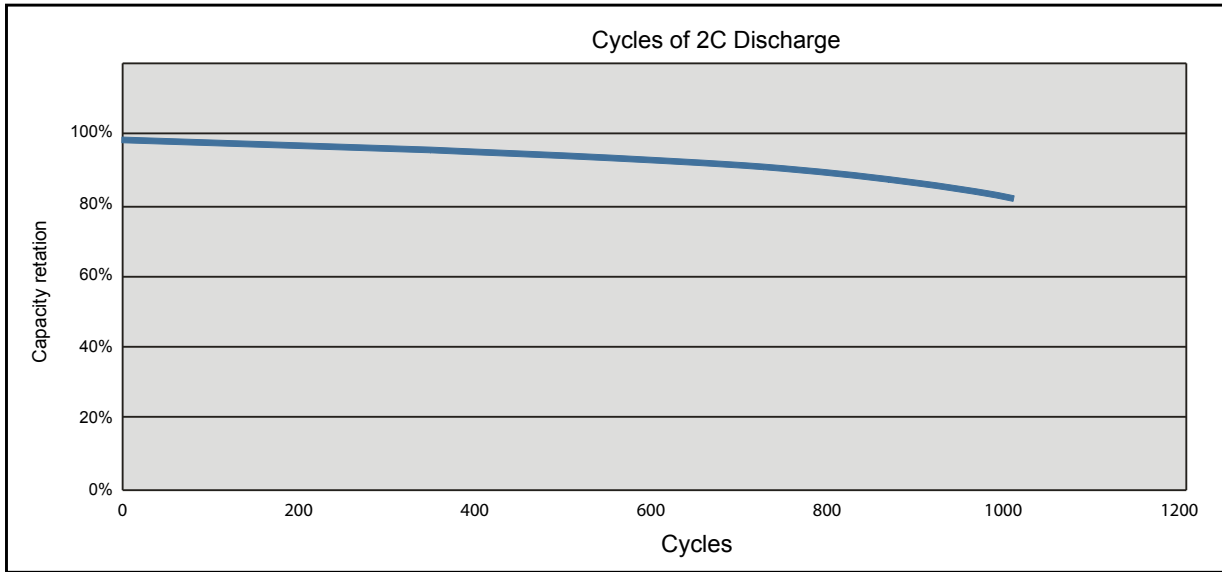
## Self Discharge Characteristics Curve



## Cycle Life @ 1C Discharge



## Cycle Life @ 2C Discharge



## Cycle Life @ 3C Discharge

