



Excellent manoeuvrability in the tightest spaces

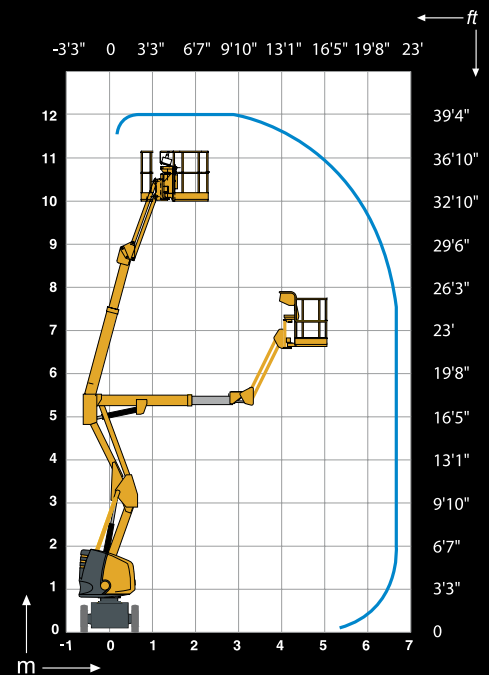
- Turret rotation 355°
- Stowed height 6 ft 6 in (1.99 m) for easy travel through doorways
- Compact turning radius 9 ft 3 in (2.85 m) and width 4 ft 5 in (1.34 m) only
- 140° (+70°/-70°) fly jib range of motion

Optimal productivity

- 22 ft (6.7 m) outreach.
- High Operating Autonomy

Easy to use

- Full proportional controls at basket
- Improved security due to load limiter in the basket
- Robust, reliable and easy to maintain



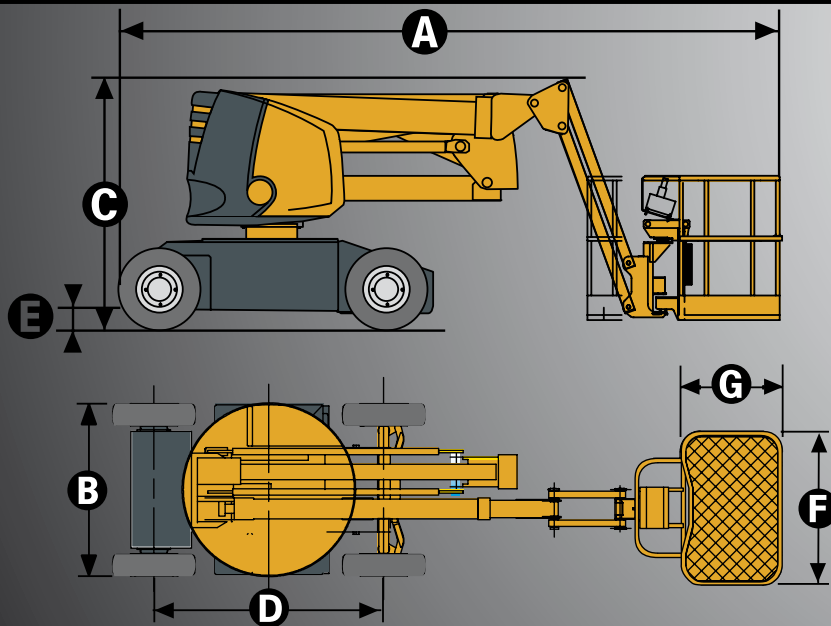
Haulotte 
GROUP

More than lifting



HA 12 IP

ELECTRIC ARTICULATING BOOMS



TECHNICAL DATA

HA12IP

Working height	12 m
Platform height	10 m
Horizontal outreach	6.6 m
Up and over clearance	5.25 m
Lift capacity	230 kg
Vertical jib rotation	140° (+70/-70)
A - Length	5.5 m
B - Width	1.35 m
C - Height - stowed	2 m
D - Wheelbase	2 m
E - Ground clearance	25 cm
F x G - Platform size	1.2 x 0.8 m
Tailswing	0 cm
Proportional drive speed	0.9 - 4.5 km/h
Turning radius - outside	2.85 m
Turntable rotation	355°
Platform rotation	180° (+90/-90)
Energy	48 V - 345 Amph (C5)
Gradeability	25 %
Tyres - non marking	7.00x12
Hydraulic system capacity	30 l
Weight	5900 kg

STANDARD EQUIPMENT

- semi-traction battery
- Battery charge indicator
- 48 V – 50 A battery charger
- Sensitive control box
- 3° Tilt alarm
- Non marking tyres
- Outside / inside use: wind rated to 45 km/h (28 mph)
- Brake release
- Hourmeter
- Slewing block pin
- Towing hooks and lifting eyes
- Emergency hand pump
- 2 front wheel drive and 2 rear steering wheels
- Load limiter in cage
- Horn

OPTIONS AND ACCESSORIES

- Flashing light
- Power to platform
- Travel alarm
- Centralised battery filling
- 360 Ah traction batteries
- Waterproof batteries
- Air line to cage
- Electric remote brake release
- Biodegradable oil
- Large basket option (1,5m x 0,8m / 59 in X 32 in)



Haulotte 
GROUP