

Dimensions in mm

Figure 1

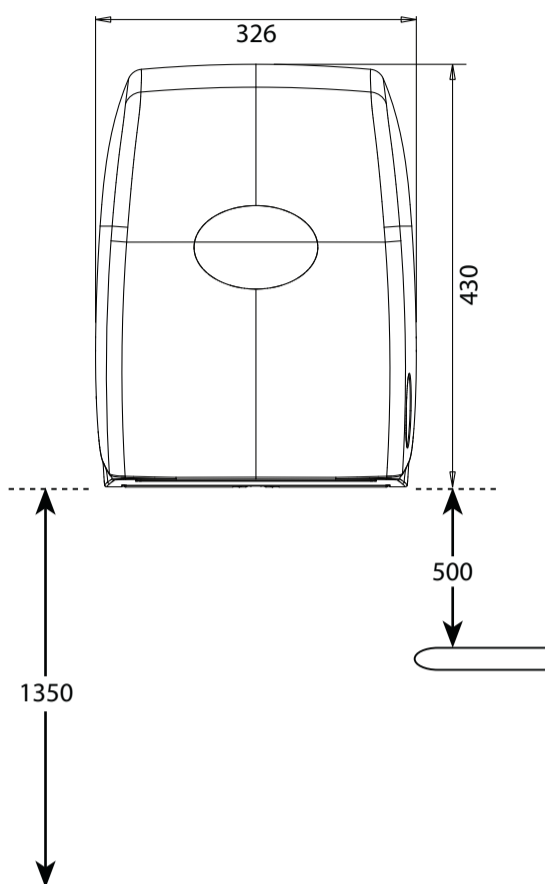


Figure 2

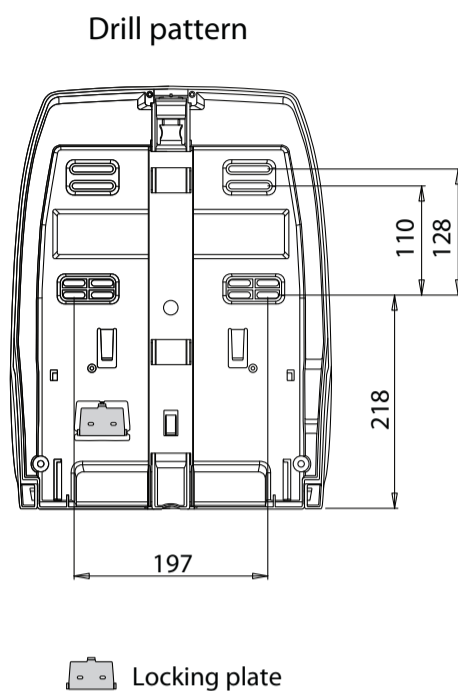
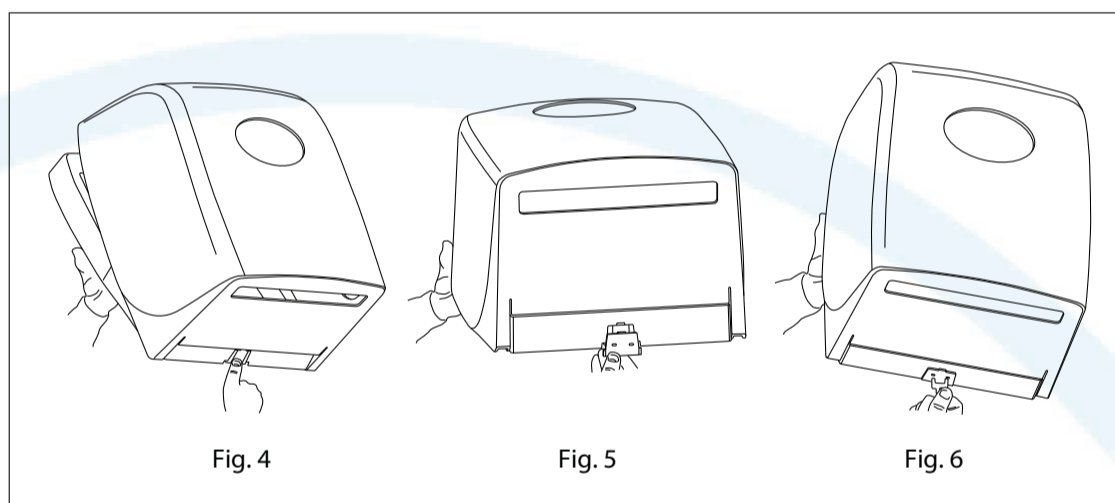
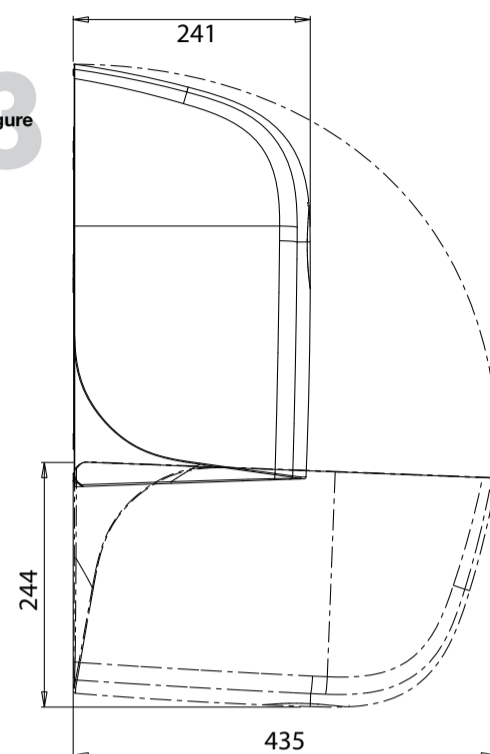
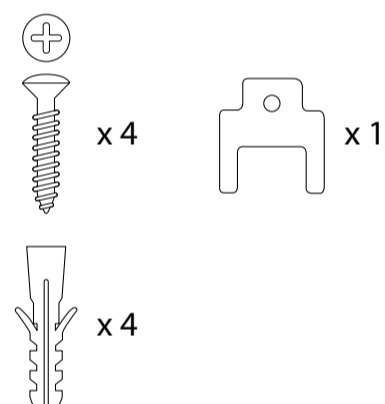


Figure 3



Accessories Pack in dispenser includes :



OPENING DISPENSER

1. Dispenser cover may be opened using the push button (Fig. 4) or using a key after sliding in the locking plate. Key is enclosed in the accessories pack taped onto the inside of the dispenser, whereas locking plate can be found on the back plate of the dispenser as indicated in Fig. 2.

MOUNTING DISPENSER

1. Determine if dispenser will be opened with push button or key **BEFORE** mounting the dispenser. For keyed operation, remove locking plate from back plate of dispenser (as indicated in Fig 2) and slide in the locking plate (Fig. 5).
2. Open the dispenser and hold squarely against the wall to mark position for the drilling holes. (Edge of the dispenser should be 135cm from the floor or 50cm above a bench or table top, see Fig 1).
3. Use an appropriate drill bit with the enclosed wall plugs and screws attached. Ensure hardware is compatible with your wall surface.
4. Use a minimum of 4 screws to mount dispenser.
5. Close cover and test dispenser for proper operation.

Note: Clean dispenser with soft wiper and mild soap and water.

Suits order codes 6765, 1005 and 6668