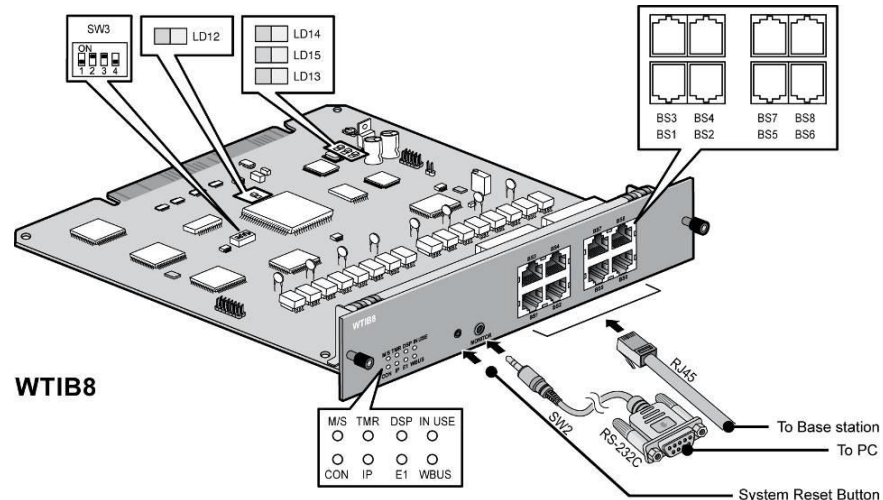
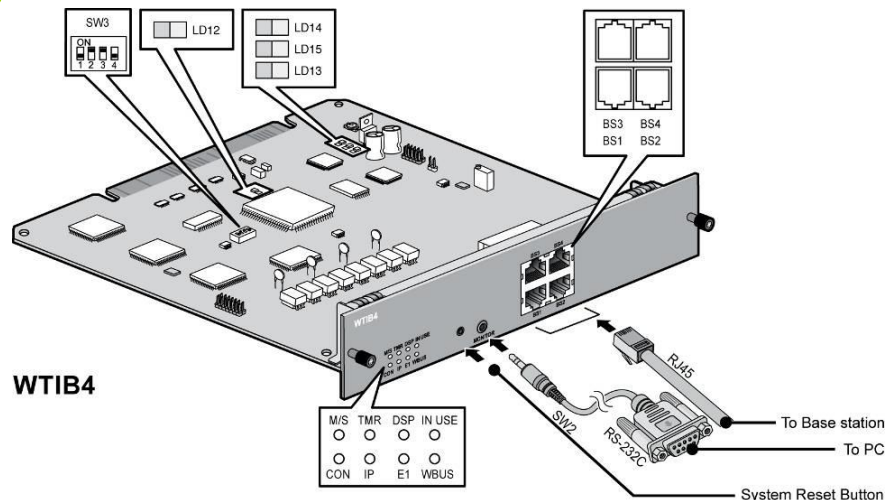


# WTIB & GDC-600BE (iPECS-eMG800HW-TRA-01-006)

## Board Layout



	GDC-400B	GDC-600BE
<b>Max. simultaneous Call per Base</b>	4	6
<b>Max. WTIB /System</b>	MG-100 : 2 MG-300 : 3	MG-100 : 2 MG-300 : 3
<b>Max. ch /System</b>	MG-100/300 : 64/96	MG-100/300 : 96/138
<b>RF Distance, Cell coverage</b>	50m : indoor 200m : outdoor	75m : indoor 400m : outdoor

- WTIB4 : 4 Base Wireless Terminal Interface Board
- WTIB8 : 8 Base Wireless Terminal Interface Board
- Base Station
  - GDC-400B and New GDC-600B (Large capacity Base) can be used together (Max. ch is limited up to 120chs)
- WTIB boards should be installed in only one cabinet
- Handset : GDC-450H, GDC-500H
- Supports DECT GAP standards
- Max. Base station distance From WTIB4/8 : 600m

## LEDs

No.	Label	Function Specification (after booting sequence finish)
1	M/S	ON : Master WTIB, Toggle : Slave 1 WTIB, OFF : Slave 2 WTIB
2	TMR	When NiosCPU is normal, TMR LED toggles every 100msec.
3	DSP	ON: DSP Echo cancellation enabled OFF: DSP Echo cancellation disabled
4	IN USE	When more than one DECT channel is used, LED8 is turned on.
5	CON	When WTIB is connected with MPB via ethernet, CON LED is turned on.
6	IP	When WTIB receives or sends data from/to MPB, IP LED toggles.
7	E1	When WTIB receives or sends data from/to Base Station, E1 LED toggles.
8	WBUS	When WTIB receives or sends data from/to other WTIB, WBUS LED toggles.

## Switch

SW3	On	Off	Description	Factory Default
SW3-1	TBR test mode*	Normal	Reserved for test	Off
SW3-2	Enable Echo cancellation	Disable Echo cancellation	Echo-canceller control	On
SW3-1	Not Used	Not Used	Not Used	On
SW3-1	All base reset	Only new base reset	On: All base reset Off: One base reset	Off


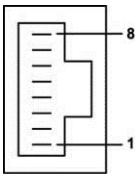
\* Note)

- ✓ To test Base Station's RF characteristics, WTIB4/8 should be in the TBR test mode
- ✓ For TBR test mode, SW3 setting is as follows.
  - SW3-1: On, SW3-2 : Off, SW3-3 : On, SW3-4 : Off.


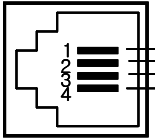
## Connectors

- WTIB4 : provide 4 ports
- WTIB8 : provide 8 ports

### WTIB4/WTIB8

Connector	Pin Number	Signal Name	Function	
		1, 2, 7, 8	Unused/reserved	
		3	RX+(GND)	Receive Data
		4	TX-(+30V)	Transmit Data
		5	TX+(+30v)	Transmit Data
		6	RX-(GND)	Receive Data

### Base Station

Connector	Pin Number	Signal Name	Function	
		1 & 4	RX (GND)	Receive Data
		2 & 3	TX (+30V)	Transmit Data

\*Caution: Up to 2 WTIBs can be installed in the same cabinet of MG-100  
 and up to 3 WTIBs can be installed in the same cabinet of MG-300  
 and up to 3 WTIBs can be installed in the same cabinet of eMG-800

**iPECS**

---

Your Communications Solution