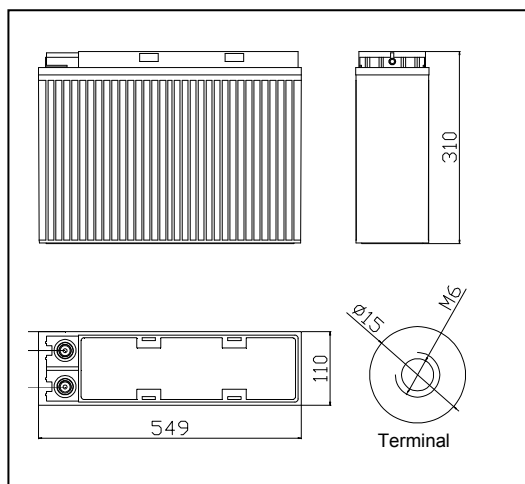


# 6-FMX-150B



6-FMX series products is a high-capacity battery of new model. With easy usage and maintenance, it is intended for service in telecom system, UPS, and security system, etal. The designed float charge life could arrive 12 years above.

Normal Voltage	12V
Capacity	150 Ah @ 10hr to 1.80V per cell @ 25°C (77°F)
Weight	Approx. 48 kg
Internal Resistance (full charged)	Approx. 4.2mΩ @ 25°C (77°F)
Maximum Discharge Current	1090A (5sec)
Self Discharge @ 25°C (77°F)	Less than 8 % after 90 days storage
Operating Temperature Range	Discharge: -40°C ~ 50°C (-40°F ~ 122°F) Charge: -20°C ~ 45°C (-4°F ~ 113°F) Storage: -20°C ~ 40°C (-4°F ~ 104°F)
Recommended Operating Temperature	15°C ~ 25°C (59°F ~ 77°F)
Maximum Charging Current Limited	30A
Charging Voltage @ 25°C (77°F)	Float: 2.25 V/cell, Temps coefficient -3mV/ cell • °C Cycle: 2.35 V/cell
Container Materials	ABS
Terminal	M6 and TU <sub>2</sub>
Capacity Affected by Temperature	105 % @ 40°C 85 % @ 0°C 60 % @ -20°C

### Attain certificate:

ISO9001(03006Q10084R1M)  
ISO14001(03004E10097R0M)  
ISO18001(03006S10002R0M)  
UL.(MH28466)  
CE(ED/2007/30041C)  
Russia telecom  
**conforms to Standard:**  
GB/T 19638.2-2005  
YD/T799-2002  
JISC8704-2:1999  
IEC60896-2,2004

### Constant Current Discharge Characteristics Unit: A (25°C, 77°F)

F.V/Time	30min	1hr	2hr	3hr	4hr	5hr	6hr	8hr	10hr	12hr
1.70V	158.7	88.4	57.8	43.7	34.6	27.1	22.7	18.3	15.2	12.7
1.75V	150.0	85.6	57.1	42.9	34.1	26.8	22.5	18.2	15.1	12.6
1.80V	142.0	83.8	56.5	42.0	33.7	26.4	22.3	18.1	15.0	12.5
1.83V	135.8	80.2	55.8	41.4	33.5	26.2	22.2	18.0	14.9	12.45
1.85V	131.0	77.9	55.3	41.0	33.2	26.0	22.1	17.9	14.8	12.4

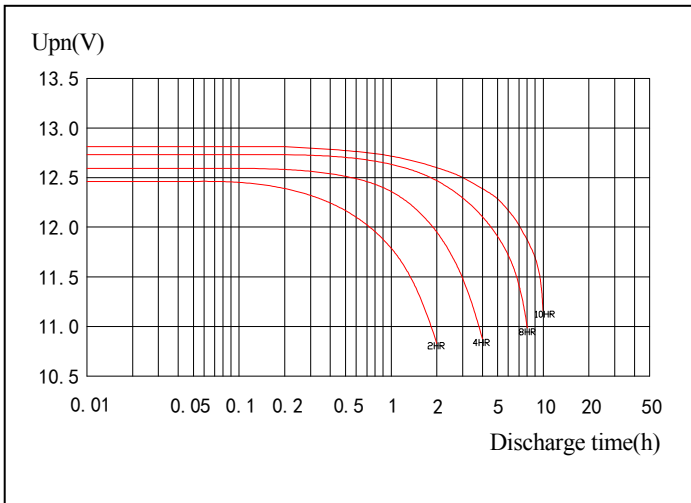
### Constant Power Discharge Characteristics Unit: W/cell (25°C, 77°F)

F.V/Time	30min	1hr	2hr	3hr	4hr	5hr	6hr	8hr	10hr	12hr
1.70V	287.7	164.2	110.8	85.3	64.6	53.8	44.7	36.6	30.4	25.4
1.75V	275.7	161.3	110.1	84.1	64.0	53.4	44.4	36.4	30.2	25.3
1.80V	263.8	159.5	109.5	82.7	63.1	52.8	44.0	36.3	30.1	25.2
1.83V	255.1	154.2	108.8	82.1	62.6	52.4	43.7	36.2	30.0	25.1
1.85V	249.5	150.5	108.2	81.5	62.2	52.1	43.5	36.1	29.9	25

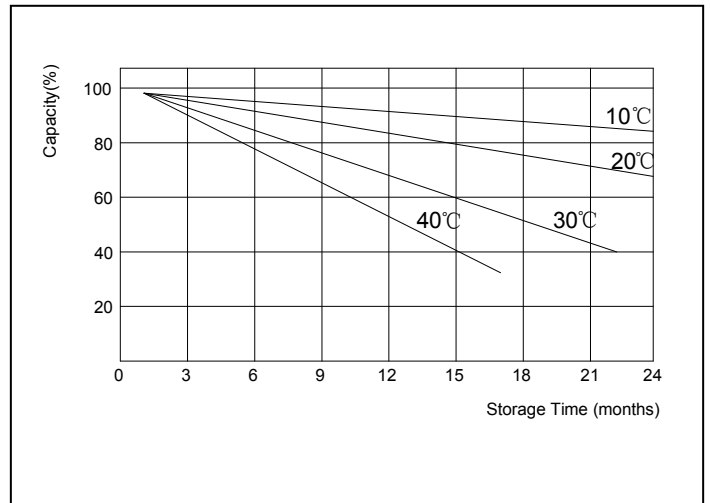
This information is generally descriptive only and is not intended to make or imply any representation, guarantee or warranty with respect to any cells and batteries. Cell and battery designs/specifications are subject to modification without notice. Contact CHINASHOTO for the latest information.

# 6-FMX-150B

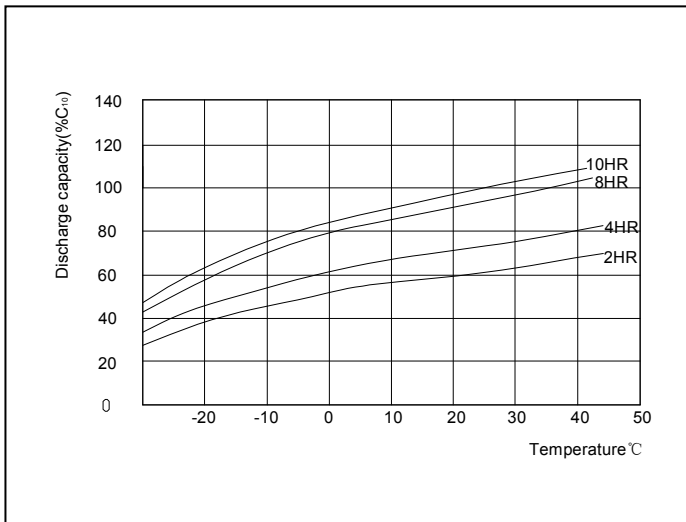
Discharge Performance at Different Discharge Rate



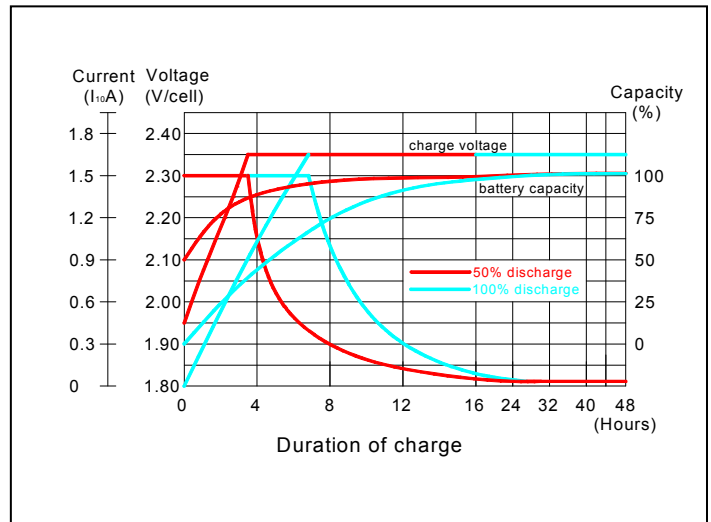
Curve of Self-discharge at Different Temperature



Capacity at Different Temperature



Constant Voltage Charge Characteristics



[www.altereco.kz](http://www.altereco.kz)