



Internal Use Only

<http://biz.lgservice.com>

# Room Air Conditioner

## SVC MANUAL(Exploded View)

**MODEL : AMNW05GEWA0 [MS05SQ NW0]  
AMNW07GEWA0 [MS07SQ NW0]**

### **CAUTION**

Before Servicing the unit, read the safety precautions in General SVC manual.  
Only for authorized service personnel.

# 1. Specification

## Indoor

Model Name			AMNW05GEWA0 [MS05SQ NW0]	AMNW07GEWA0 [MS07SQ NW0]
Power Supply		V / Ø / Hz	220-240 / 1 / 50	220-240 / 1 / 50
Cooling Capacity	Nominal	kW	1.5 kW Class	2.1 kW Class
	Nominal	Btu/h	5,000 Btu/h Class	7,000 Btu/h Class
Heating Capacity	Nominal	kW	1.6 kW Class	2.3 kW Class
	Nominal	Btu/h	5,500 Btu/h Class	8,000 Btu/h Class
Casing Color		-	White	White
Dimensions	Body	W x H x D	mm	756 x 270 x 190
		W x H x D	inch	29-3/4 x 10-5/8 x 7-15/32
Net Weight	Body	kg (lbs)	7.2 (15.9)	7.2 (15.9)
Heat Exchanger	(Row x Column x Fins per inch) x No.		-	(2 x 12 x 20) x 1
	Face Area		m <sup>2</sup> (ft <sup>2</sup> )	0.14 (1.51)
Fan	Type		-	Cross Flow Fan
	Air Flow Rate	H / M / L	m <sup>3</sup> /min	8.1 / 6.9 / 6.3
		H / M / L	ft <sup>3</sup> /min	286 / 244 / 222
Fan Motor	Type		-	BLDC
	Output		W x No.	20 x 1
	Power Input		W x No.	-
	Running Current		A	0.10 x 1
Sound Pressure Level	H / M / L	dB(A)+3dB	36 / 30 / 27	36 / 30 / 27
Sound Power Level	Cooling	H / M / L	dB(A)	-
Piping Connections	Liquid		mm(inch)	Ø 6.35 (1/4)
	Gas		mm(inch)	Ø 9.52 (3/8)
	Drain (O.D. / I.D.)		mm	Ø 21.5 / 16.0
Safety Devices			-	Fuse
			-	Thermal Protector for Fan Motor
Power and Communication Cable (included Earth)		No. x mm <sup>2</sup> (AWG)	4C x 0.75 (18)	4C x 0.75 (18)

### Note:

1. Capacities are based on the following conditions:

Cooling: - Indoor Temperature 27°C(80.6°F) DB/19°C(66.2°F) WB

- Outdoor Temperature 35°C(95°F) DB/24°C(75.2°F) WB

Heating: - Indoor Temperature 20°C(68°F) DB/15°C(59°F) WB

- Outdoor Temperature 7°C(44.6°F) DB/6°C(42.8°F) WB

Piping Length - Interconnecting Piping Length 7.5m

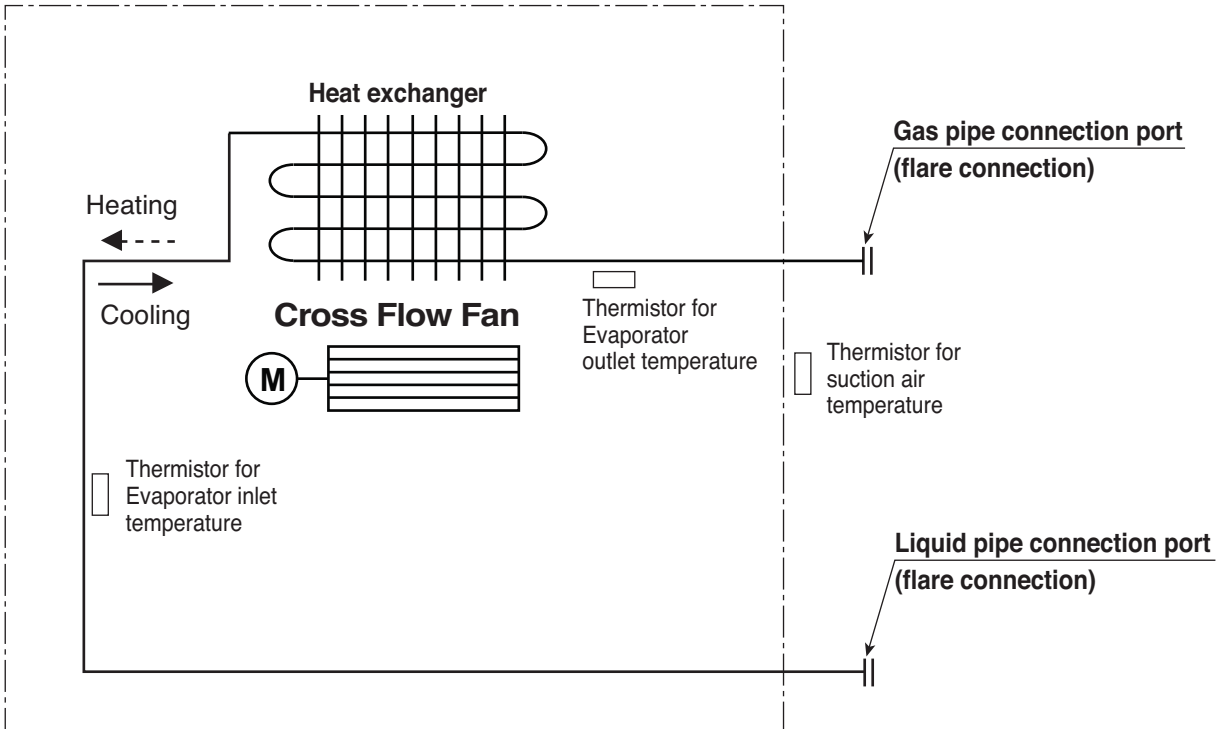
- Level Difference of Zero

2. Wiring cable size must comply with the applicable local and national code.

3. The specification may be subject to change without prior notice for purpose of improvement.

Conversion Formula
kW = Btu/h x 0.0002931
cfm = CMM x 35.3

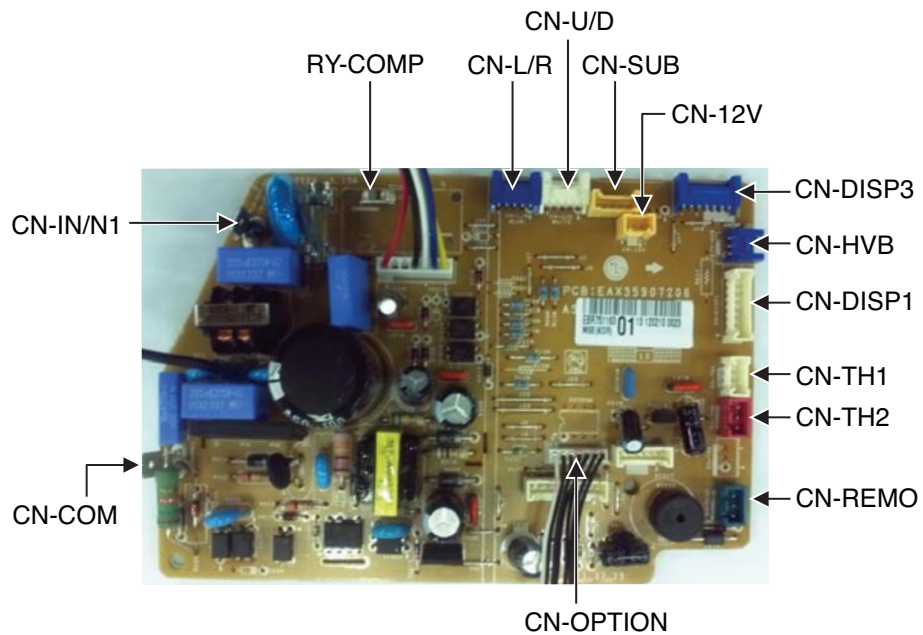
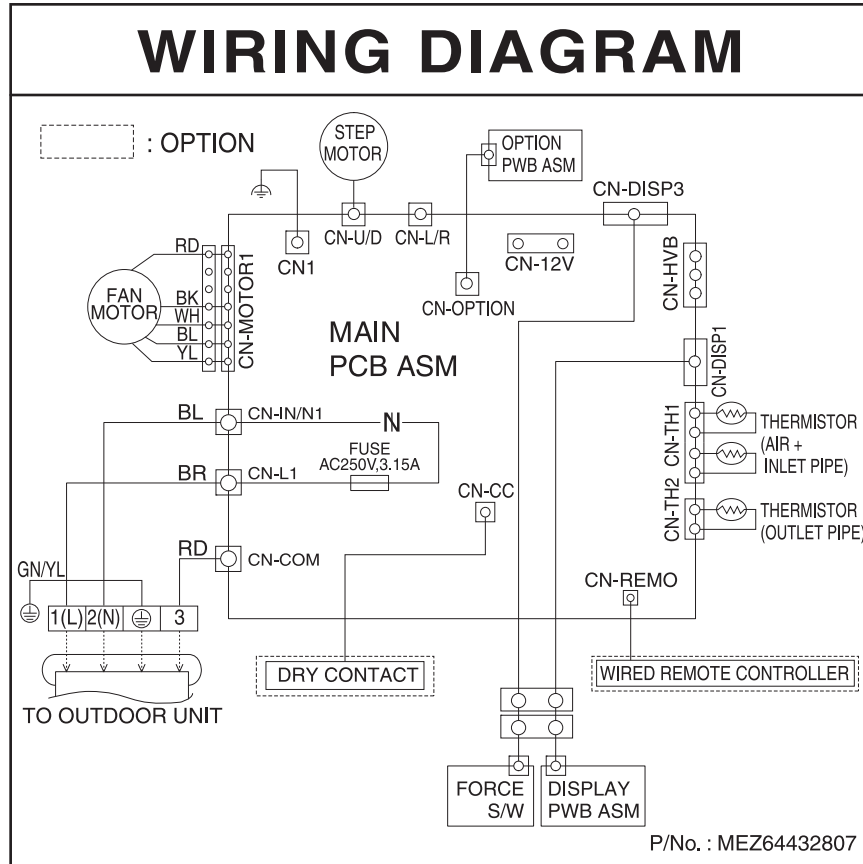
## 2. Piping Diagrams



Description	PCB Connector
Thermistor for suction air temperature	CN-TH1
Thermistor for evaporator inlet temperature	
Thermistor for evaporator outlet temperature	CN-TH2

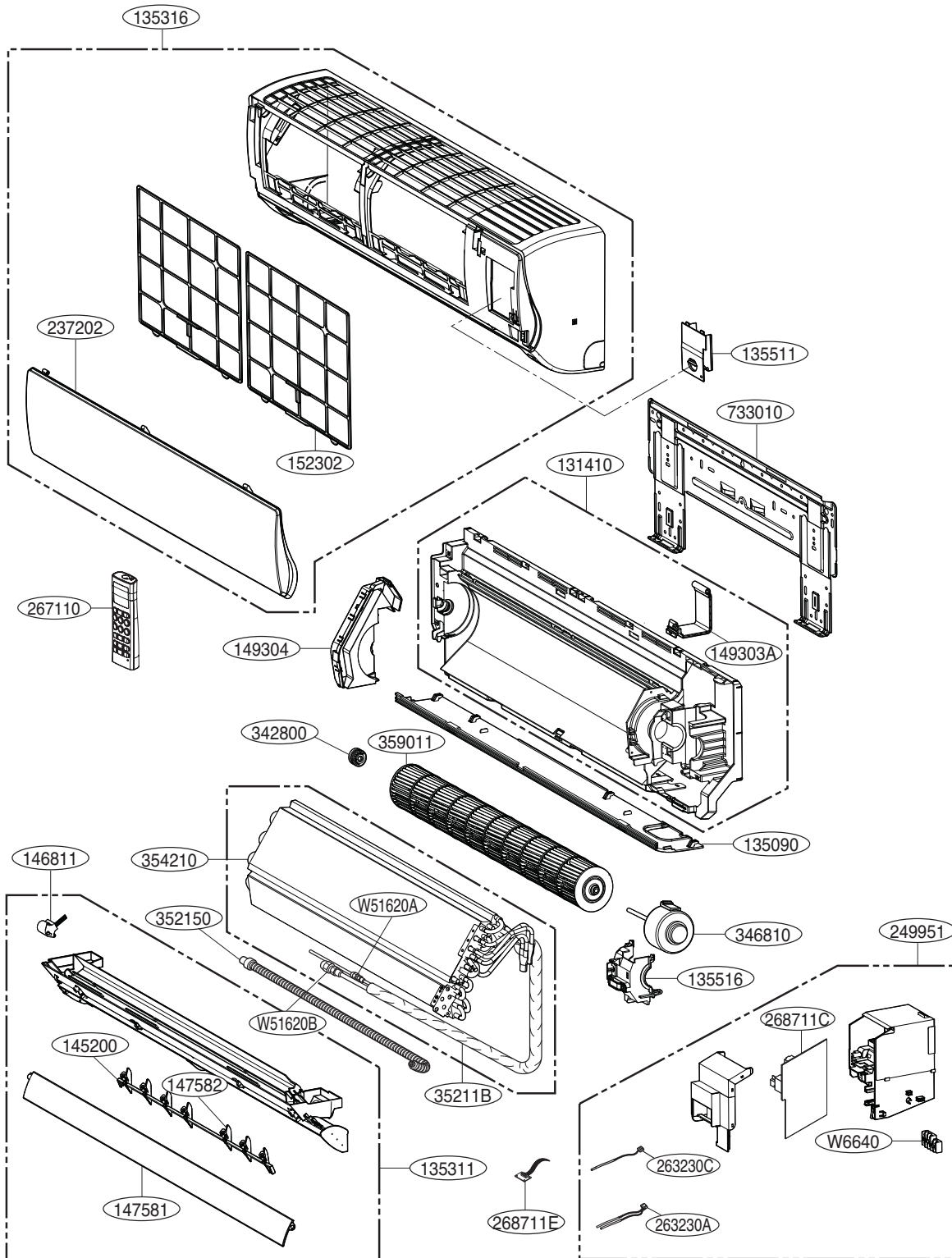
# 3. Wiring Diagrams

## Indoor Unit



**Main PCB**

# 4. Exploded View



Note) \* Please ensure GCSC since the replacement parts may be changed depending upon the buyer's request. Please check the correct parts in View RPL(Replacement Part List) on GCSC. (GCSC Website <http://www.lge.com>)



P/NO : MFL67699801