

Installation

Veritas® Bench Pups® clamps can be used in holes drilled vertically or horizontally in a bench top. For front use, the holes should be no more than 2" deep so that at least $\frac{1}{4}$ " of dog is protruding, allowing for easy removal. For retrofit, use a pre-drilled block (see **Figure 1**) to ensure 90° holes.

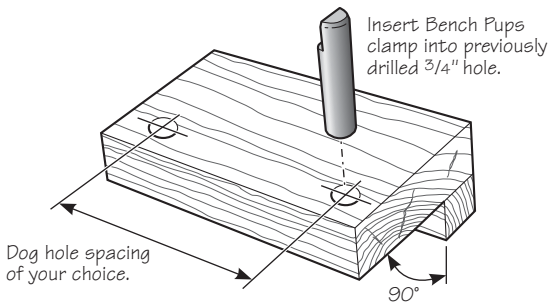


Figure 1: Drilling holes using a shop-made jig.

Veritas® Tools Inc.

814 Proctor Avenue
Ogdensburg, New York
13669-2205 USA

1090 Morrison Drive
Ottawa, Ontario
K2H 1C2 Canada