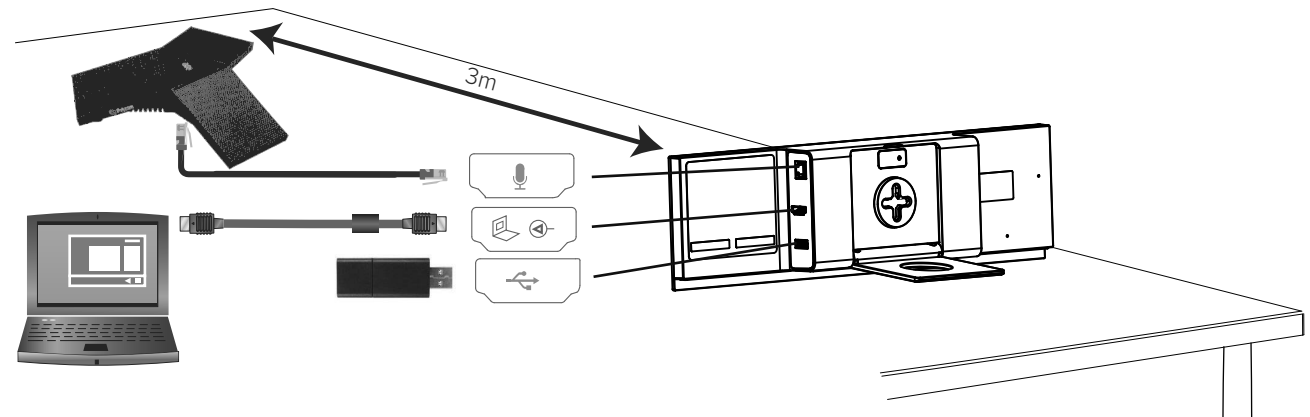
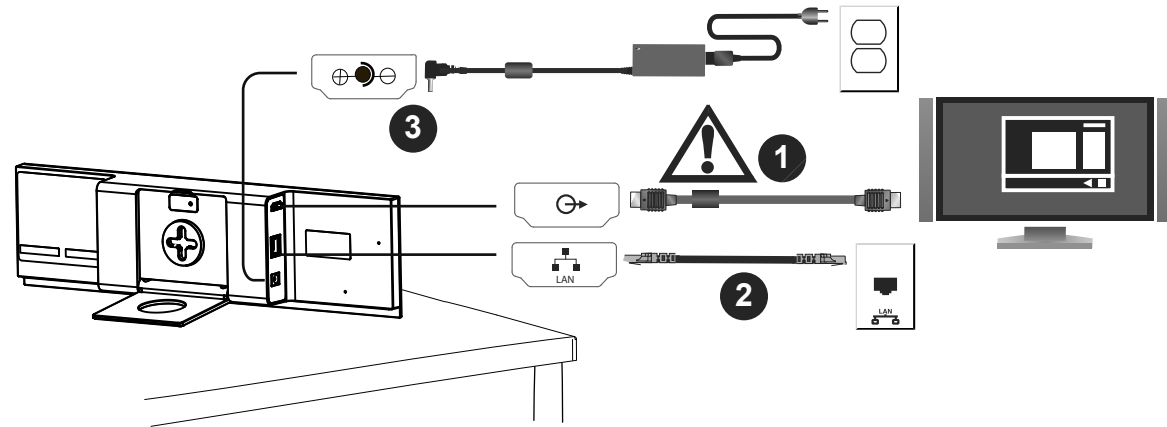
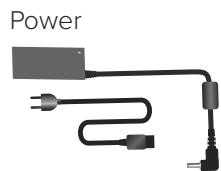
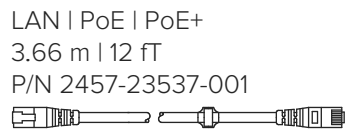
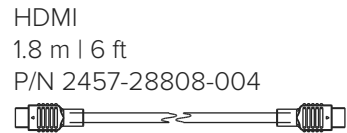
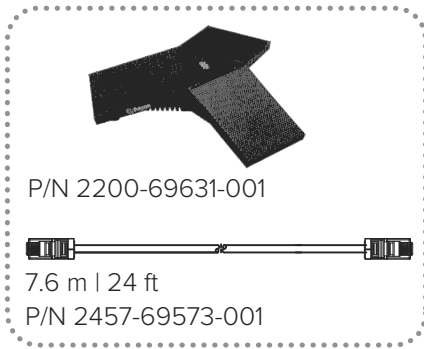
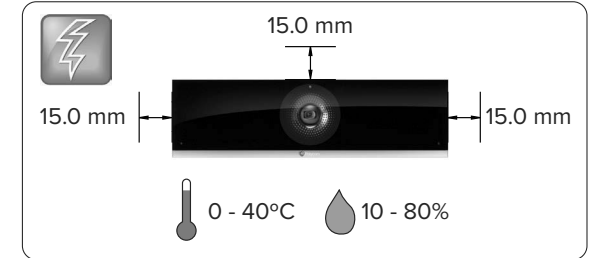
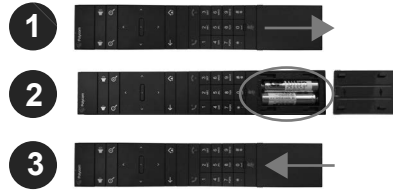


Polycom® RealPresence Debut™

See the Polycom RealPresence Debut Regulatory Notices guide for all regulatory and safety guidance prior to configuration.

Voir le Polycom RealPresence Debut Guide Avis de réglementation pour tous les conseils de réglementation et de sécurité avant de configuration.



Optional Setup

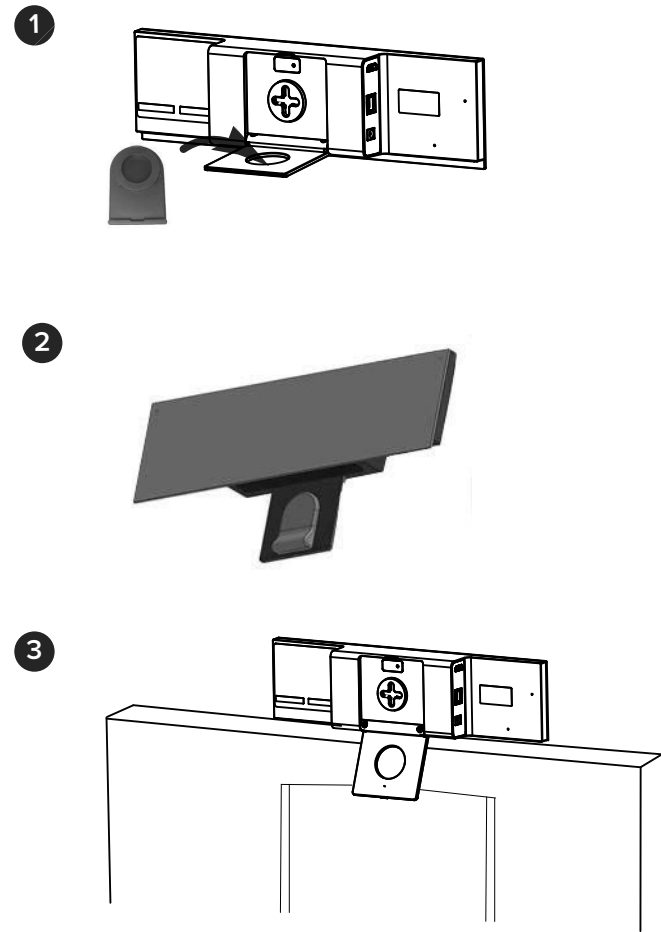
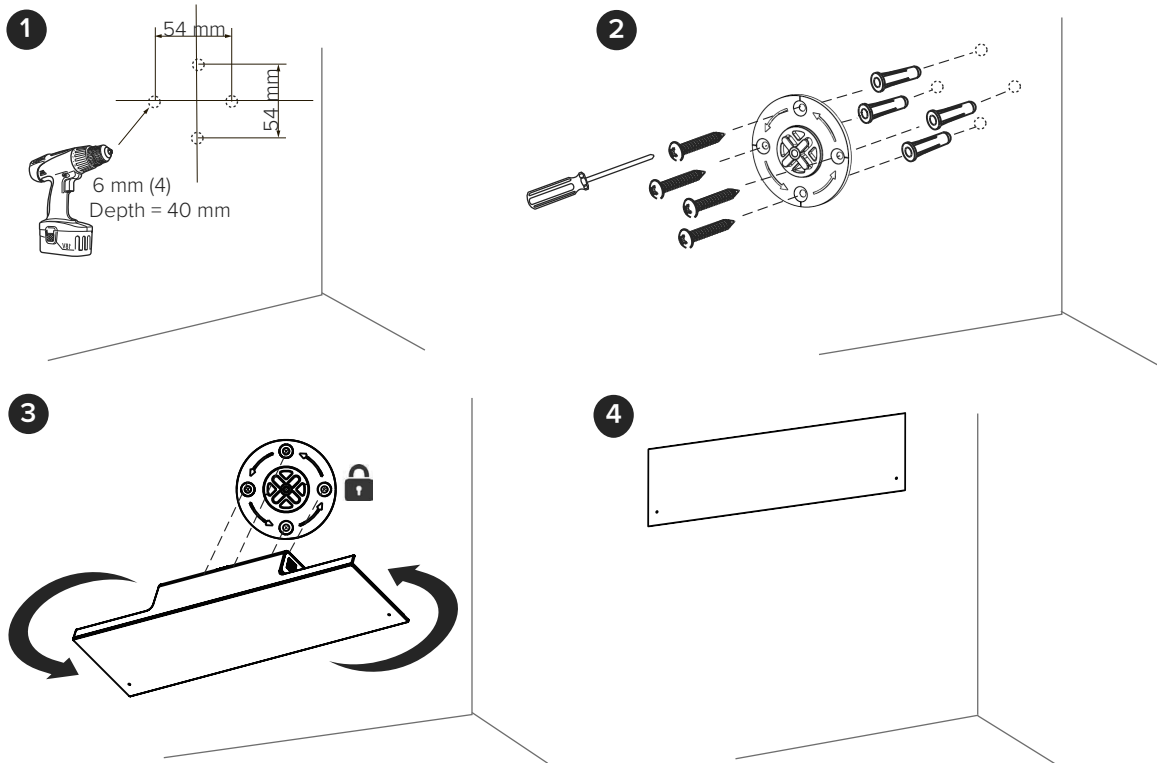
Installation de l'équipement optionnel
 Instalación del equipo optativo
 Instalação do equipamento opcional

Einrichten der optionalen Ausrüstung
 Installazione delle apparecchiature opzionali
 Valgfritt oppsett

Kiegészítő beállítások
 Konfiguracja opcjonalna
 Дополнительная настройка

オプション設定
 选择设置
 選擇設定
 선택 설정

CAUTION: Ensure that the wall is able to support the weight of the product (2.2 lbs/1 kg). Use appropriate mounting and anchoring hardware for the wall type. Failure to provide adequate structural strength can result in damage to the equipment, voiding the warranty, and causing possible serious personal injury. The installer is responsible for conforming to all applicable building codes and requirements of local, state, and federal jurisdiction.

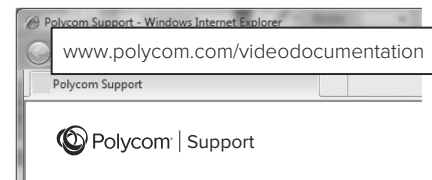


Specifications	
Power Adapter	48VDC/0.52A @ 100VAC~240VAC/50 Hz - 60 Hz
Power over Ethernet (PoE)	IEEE 802.3af and IEEE 802.3at

Product Documentation

Documentation du produit
 Documentación del producto
 Documentação do produto
 Produktdokumentation

Documentazione del prodotto
 Produktdokumentasjon
 Termékdokumentáció
 Dokumentacja produktu
 Документация продукта
 製品マニュアル
 产品文档
 产品说明文件
 제품 설명서



1725-69725-002A