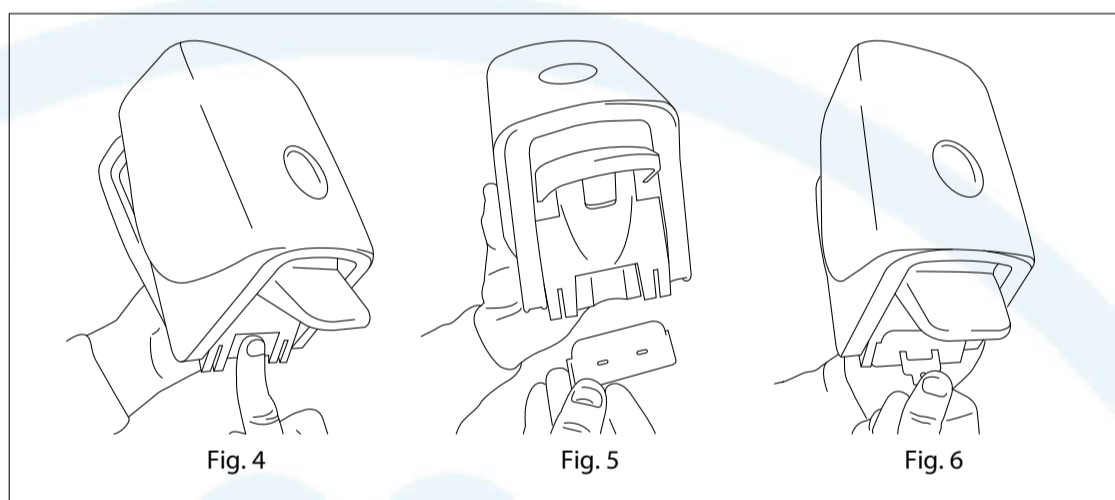
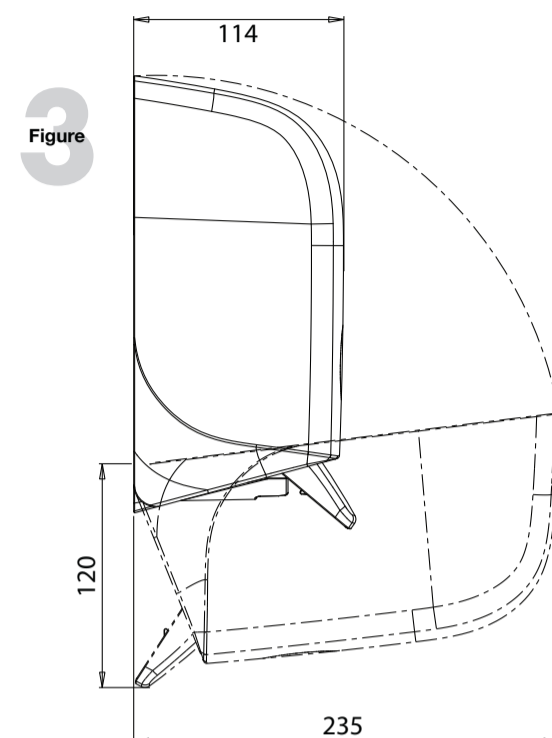
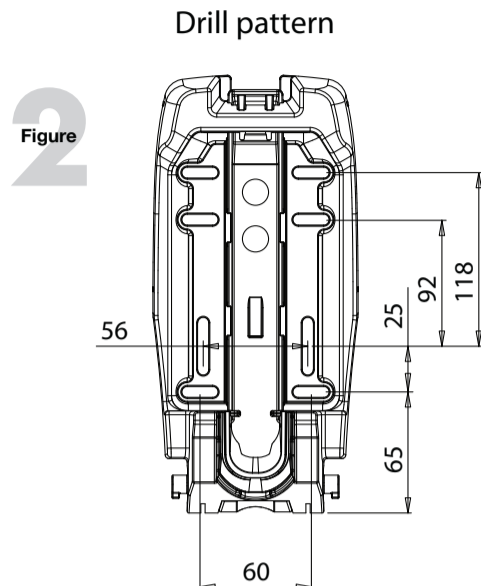
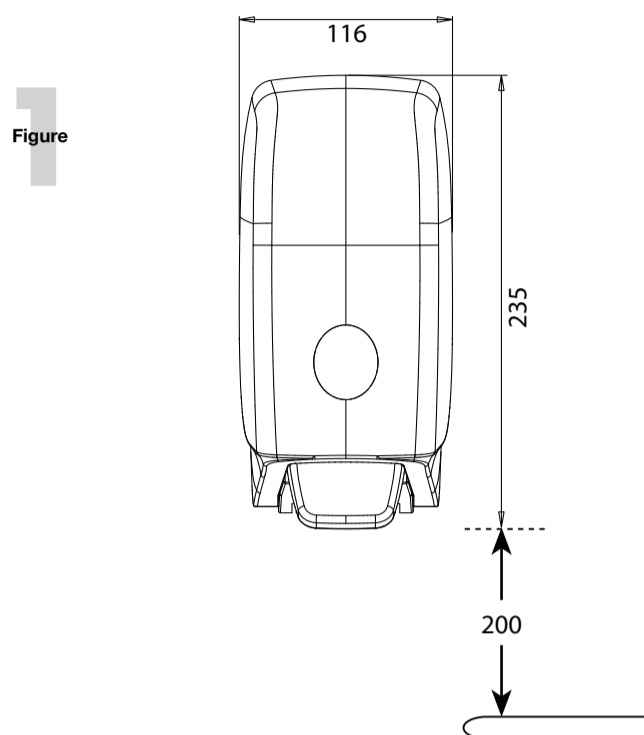
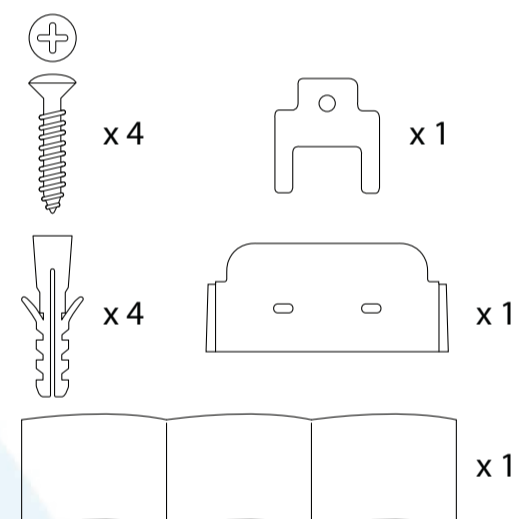


Dimensions in mm



Accessories Pack in dispenser includes :



OPENING DISPENSER

1. Dispenser cover may be opened using the push button (Fig. 4) or using a key after sliding in the locking plate. Key and locking plate are enclosed in the accessories pack taped onto the inside of the dispenser.

MOUNTING DISPENSER

1. Determine if dispenser will be opened with push button or key **BEFORE** mounting the dispenser. For keyed operation, slide in the locking plate (Fig. 5).
2. Open the dispenser and hold squarely against the wall to mark position for the drilling holes. (Edge of the dispenser should be 20cm above a bench or table top, see Fig 1).
3. Use an appropriate drill bit with the enclosed wall plugs and screws attached. Use a minimum of 4 screws to mount dispenser. Ensure hardware is compatible with your wall surface.
4. Alternatively, use the mounting tape provided to mount the dispenser.
5. Close cover and test dispenser for proper operation.

Note: Clean dispenser with soft wiper and mild soap and water.

Suits order codes 6331, 6333, 6342 and 12552