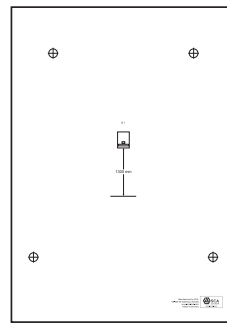
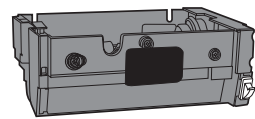
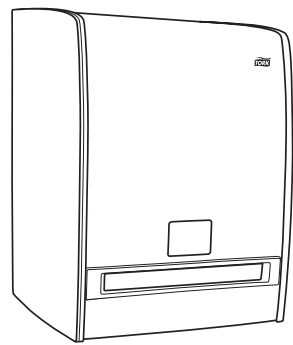


TORK®

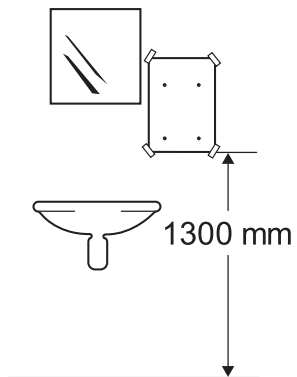
Tork Matic®
Hand Towel
Roll Dispenser
with Intuition™ sensor

H1

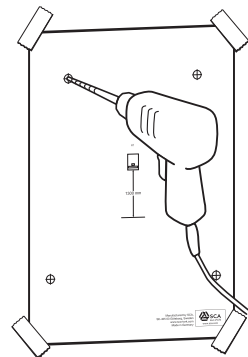
Aluminum
Design



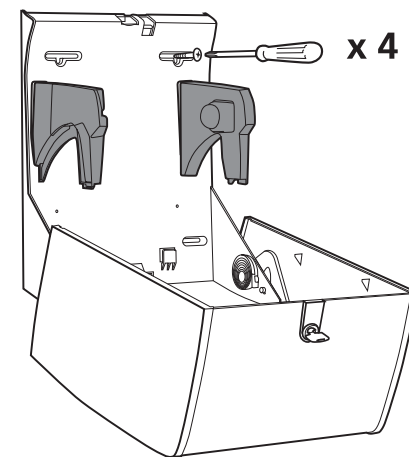
1.



2.



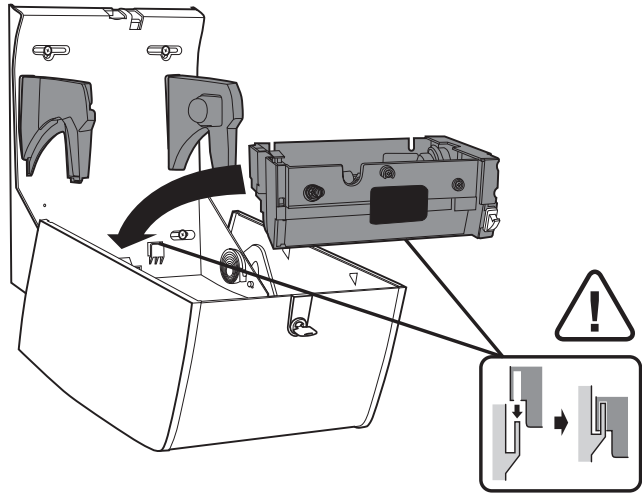
3.



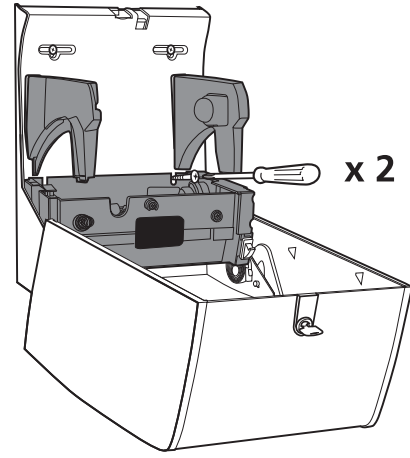
Manufactured by SCA,
SE-405 03 Göteborg, Sweden
www.sca-tork.com
Made in Germany



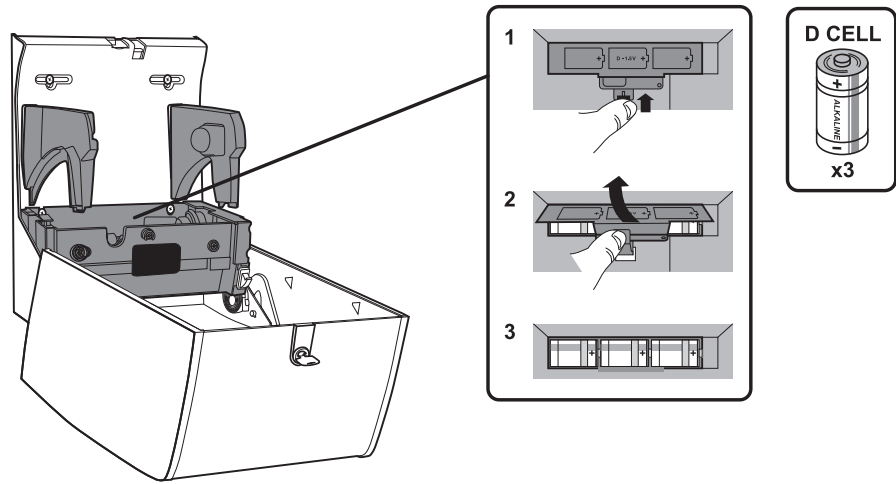
4.

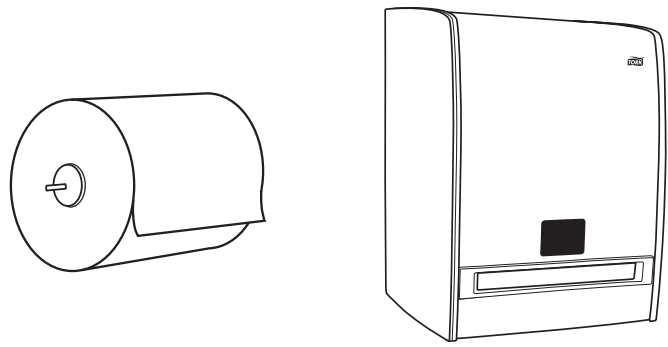


5.

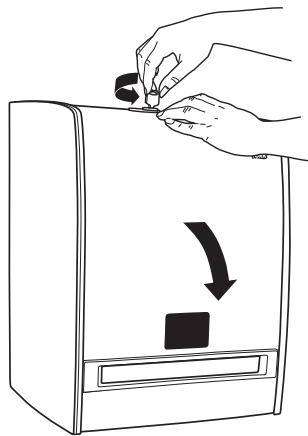


6.

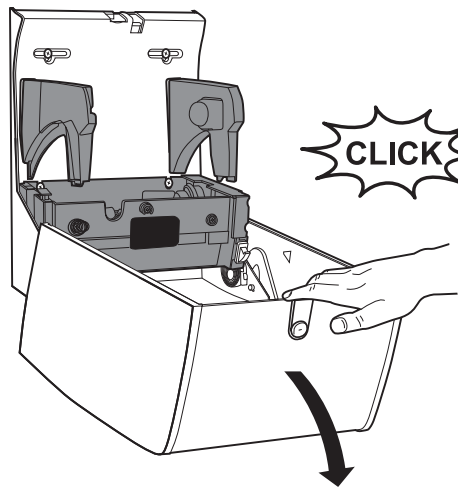




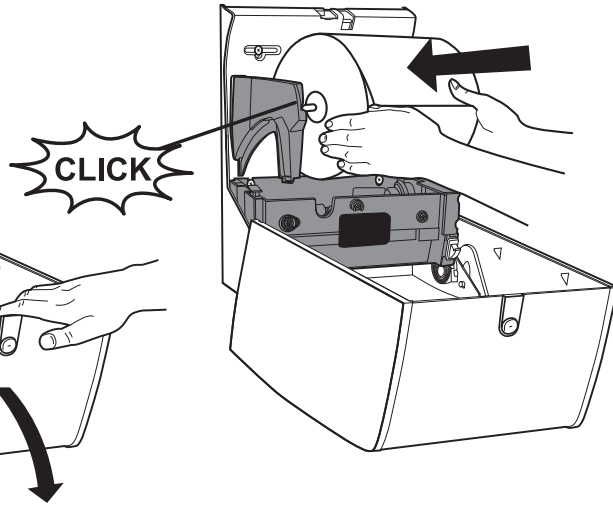
1.



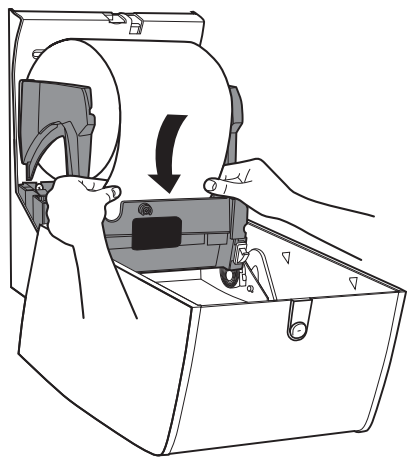
2.



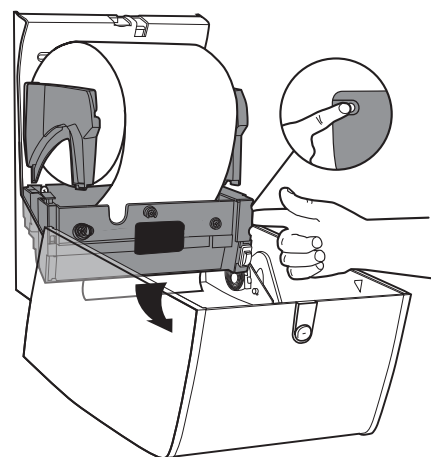
3.

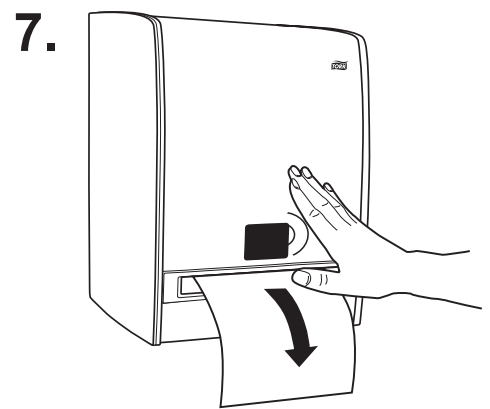
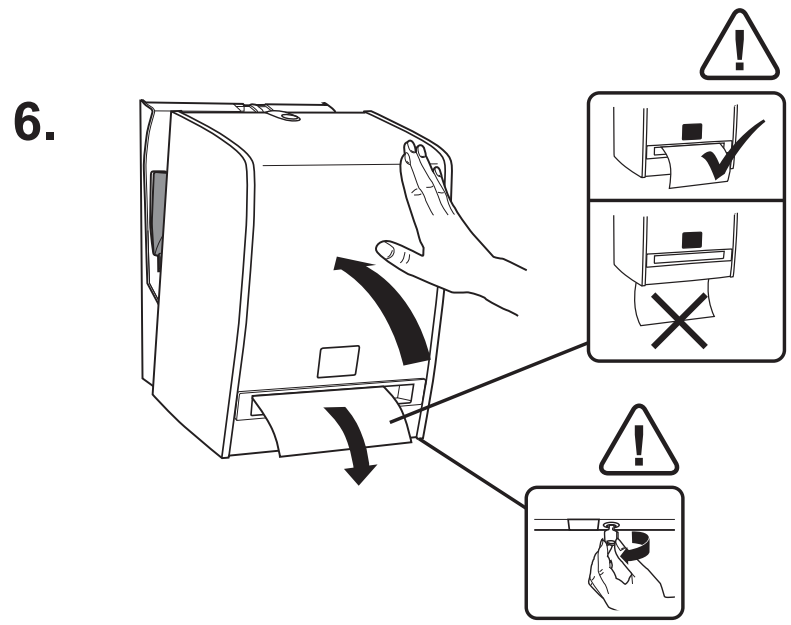


4.



5.





The control panel features the following controls and settings:

- Manual Feed:** A button used to manually feed a sheet of paper.
- Low Battery:** An indicator light that turns on when the battery is low.
- Sheet Length:** A rotary dial with settings for 20 cm and 65 cm.
 - 20 cm: Shown with a hand holding a 20 cm sheet.
 - 65 cm: Shown with a hand holding a 65 cm sheet.
- Time Delay:** A rotary dial with settings for 0,5 sek and 5 sek.
 - 0,5 sek: Shown with a hand holding a sheet.
 - 5 sek: Shown with a hand holding a sheet.
- On/Off Hand Sensor:** A switch that can be turned On or Off.
 - On: Shown with a hand being detected by the sensor.
 - Off: Shown with a hand not being detected.

Additional information:

- D CELL x3:** A note indicating that three D cells are required for power.
- Hand Sensor:** A diagram showing the sensor's range and how it detects a hand.
- Hand Sensor Modes:** Two diagrams at the bottom show the sensor's behavior: one with a hand being detected and the other with a hand being detected and then removed.