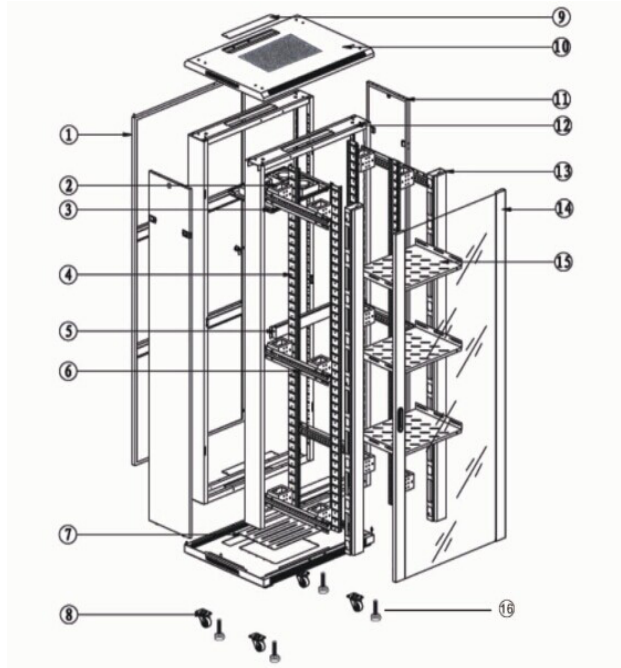


Ningbo Latitude International Trade Co.,Ltd.

1、Assembling General Schematic Diagram (05A Series 800 Width) :

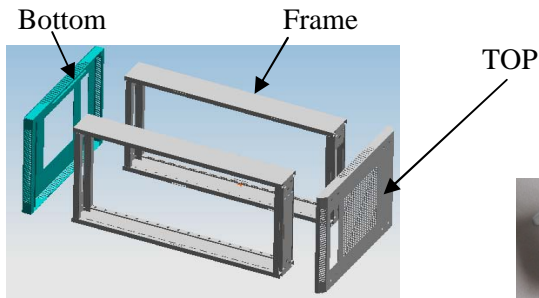


Main Structure:

- 1.Steer rear door 2.Spacer(for 800mm width) 3.Fan tray 4.Mounting profile 5.Blanking panel
6.Mounting angle 7.Bottom 8.Castor 9.Cable entry plate 10.Top 11.Side panel 12.Frame
13.Vertical cable management 14.Front door 15.Fixed shelf 16.Feet

2、Assembling Steps:

2.1: Assembling the top, bottom and frame:



2.1: Putting the frame to top and bottom together, which must be alignment to frame. Using the hex socket set screws M8x12 to fix them.

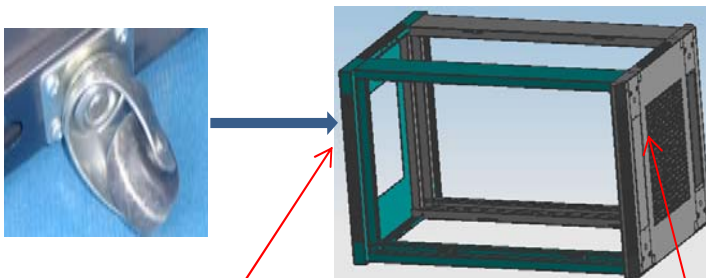


M8 Allen screw



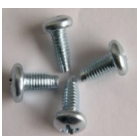
M8 Flange Nut

2.2: Installing the caster on the bottom and cover board on the cable entry of the top :



2.2.1: Using the tapping screws M5x10 to fix the caster on the bottom; If which is heavy duty caster, and use the M8x12;

2.2.2: Using the tapping screws M4x8 to fix the cover board on the cable entry of the top;

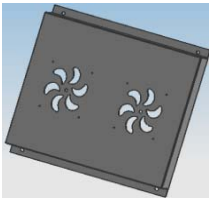


M5x10 Pan head tapping screws



M4x8 Pan head tapping screws

2.3: Installing the fan trays under the top:



2.3: Using the tapping screws M5x10 to fix the fan tray under the top;

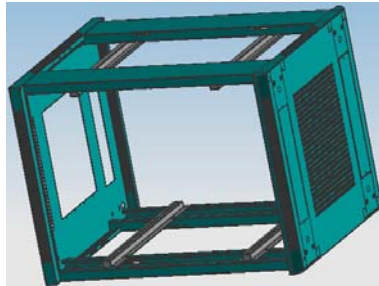


M5x10 Pan head tapping screws

2.4: Installing the mounting angle:



Mounting angle



2.4: Installing the bayonet-type nut M6 on the frame; and then using the allen screw M6x10 to connect the mounting angle and frame tightly;

Note: 4 pcs mounting angle (below 32U)
6 pcs mounting angle (above 32U)



Frame

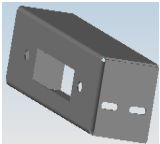


M6 Bayonet-type nut



M6x10 Allen screw

2.5: Installing the spacer:



Spacer

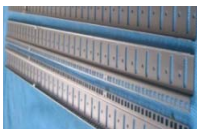


2.5: By the allen screw M6x10 to fix the spacer on the mounting angle;



M6x10 Allen screw

2.6: Installing the mounting profile:



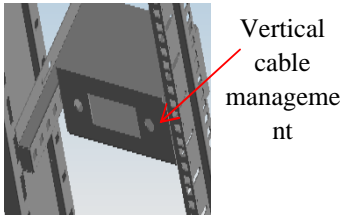
Mounting profile



2.6: Installing the bayonet-type nut M6 on the mounting angle; and then using the allen screw M6x10 to connect the mounting profile and mounting angle;

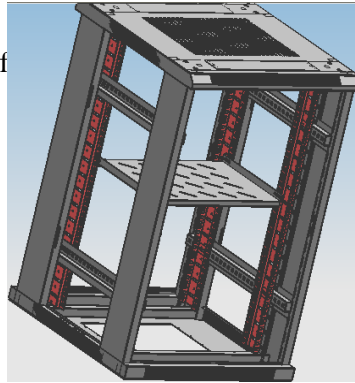
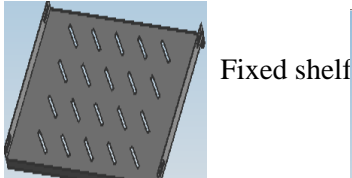


2.7: Installing the vertical cable management:



2.7: Installing the bayonet-type nut M6 on the spacer; and then using the allen screw M6x10 to connect the vertical cable management together tightly;

2.8: Installing the fixed shelf and cover board of the bottom:



2.8.1: Installing the bayonet-type nut M6 on the mounting profile; and then using the allen screw M6x10 to connect the fixed shelf and mounting profile;

2.8.2: Using the tapping screws M4x8 to fix the cover board on the bottom;



M4x8 Pan head tapping screws

2.9: Installing the back door and front door:



2.9.1: Installing the rotational pin for the back door on the bottom side; and then putting down bolt to aim the hole on the top, which is ok;

2.9.2: The front door is same to back door;

2.10: Installing the side panels:



2.10: Chucking the clips to the middle of side panels by two hands, and then pushing the side panel to frame;

Note: the clip must be over against the clip-hole of frame;

2.11: Installing the adjustable feet on the bottom:



2.11: On the bottom of cabinet, installing the adjustable feet by the wrench;