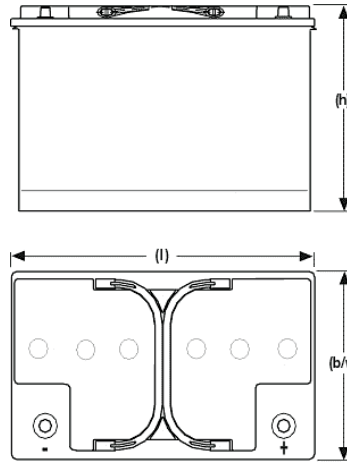


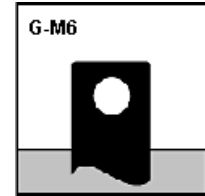
Sonnenschein A512/60 G6 data sheet



Drawing:



Terminal:



Meets: UL94 HB

Specifications:

Exide type designation	Part number	Nom. Voltage V	Nominal capacity C ₂₀ 1.75 VpC 20°C Ah	Length l mm	Width b/w mm	Height h1 mm	Height top cover h1 max. mm	Height of terminals h2 mm	Weight approx. kg	Internal resistance acc. IEC896-2 mOhm	Short circuit current acc. IEC896-2 A	Max. Load approx. A	Max. perm current 5 secs. A	Terminal
A512/60 G6	NGA5120060HS0BA	12	60	278	175	190	190	190	20.8	6.6	1887	400	1500	G-M6

Part numbers not valid for North America, use type for ordering!

Constant-current discharge in A (at 20 °C):

Part number	Exide type designation	VpC	5min	10min	15min	20min	30min	1h	2h	3h	5h	8h	10h
NGA5120060HS0BA	A512/60G6	1.85	122.8	100.8	82.4	69.2	54.2	33.8	21.5	15.3	9.9	6.6	5.4
NGA5120060HS0BA	A512/60G6	1.80	145.8	108.9	91.9	75.9	58.1	35.5	22.3	15.8	10.3	6.8	5.6
NGA5120060HS0BA	A512/60G6	1.75	168.0	118.1	98.3	80.4	60.5	36.4	22.7	16.1	10.4	6.9	5.6
NGA5120060HS0BA	A512/60G6	1.70	178.3	125.2	101.7	82.6	61.6	36.9	22.9	16.2	10.4	6.9	5.6
NGA5120060HS0BA	A512/60G6	1.65	185.2	130.3	102.8	83.2	61.7	37.1	23.0	16.2	10.4	6.9	5.6
NGA5120060HS0BA	A512/60G6	1.60	191.0	133.3	103.4	83.5	61.8	37.2	23.0	16.2	10.4	6.9	5.6

Constant-power discharge in W/block (at 20 °C):

Part number	Exide type designation	VpC	3min	5min	10min	15min	20min	30min	45min	1h	1.5h
NGA5120060HS0BA	A512/60G6	1.85	1618	1414	1096	963.0	807.0	625.0	459.0	369.0	271.0
NGA5120060HS0BA	A512/60G6	1.80	1954	1634	1180	1040	873.0	669.0	489.0	390.0	283.0
NGA5120060HS0BA	A512/60G6	1.75	2266	1836	1274	1070	915.0	693.0	505.0	400.0	288.0
NGA5120060HS0BA	A512/60G6	1.70	2406	2022	1348	1088	940.0	707.0	514.0	405.0	290.0
NGA5120060HS0BA	A512/60G6	1.65	2548	2176	1404	1098	954.0	715.0	519.0	409.0	292.0
NGA5120060HS0BA	A512/60G6	1.60	2680	2278	1438	1104	963.0	719.0	522.0	410.0	293.0