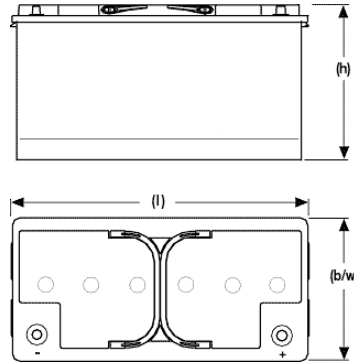


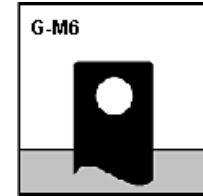
# Sonnenschein A512/65 G6 data sheet



Drawing:



Terminal:



Meets: UL94 HB

## Specifications:

Type	Part number	Nom. Voltage	C20 1,75 VpC 20°C IEC896/2 Ah	Short circuit current acc. IEC896/2	Length mm	Width mm	Height mm	Height top of cover mm	Height over terminals mm	Weight Kg.	Internal resistance acc. IEC896/2 mOhm	Max. Load approx. A	Max. perm current 5 secs. A	Terminal
A512/65 G6	NGA5120065HS0BA	12	65	1471	353	175	190	190	190	24.4	8.5	400	1500	G-M6

Part numbers not valid for North America, use type for ordering!

## Constant-current discharge in A (@20°C):

Part number	Type	Volt	5min	10min	15min	20min	30min	1h	2h	3h	5h	8h	10h
NGA5120065HS0BA	A512/65G6	1.85	95.8	83.1	73.9	65.8	56.4	35.8	23.0	16.6	11.0	7.4	6.1
NGA5120065HS0BA	A512/65G6	1.80	120.8	100.3	88.1	75.4	60.4	38.6	24.3	17.4	11.5	7.5	6.2
NGA5120065HS0BA	A512/65G6	1.75	140.6	111.3	95.7	81.9	63.8	40.0	24.9	17.8	11.7	7.6	6.3
NGA5120065HS0BA	A512/65G6	1.70	158.3	121.3	104.4	86.2	65.9	40.6	25.1	17.9	11.7	7.6	6.3
NGA5120065HS0BA	A512/65G6	1.65	178.5	129.8	108.4	88.8	67.0	40.9	25.2	17.9	11.7	7.6	6.3
NGA5120065HS0BA	A512/65G6	1.60	193.1	135.7	110.8	90.3	67.7	41.1	25.2	18.0	11.7	7.6	6.3

## Constant-power discharge in W/block (@20°C):

Part number	Type	Volt	3min	5min	10min	15min	20min	30min	45min	1h	1_5h
NGA5120065HS0BA	A512/65G6	1.85	1,180.0	1,113.0	991.0	861.0	763.0	659.0	500.0	411.0	307.0
NGA5120065HS0BA	A512/65G6	1.80	1,459.0	1,316.0	1,109.0	989.0	851.0	693.0	544.0	441.0	327.0
NGA5120065HS0BA	A512/65G6	1.75	1,757.0	1,591.0	1,223.0	1,083.0	914.0	721.0	567.0	457.0	336.0
NGA5120065HS0BA	A512/65G6	1.70	1,959.0	1,739.0	1,322.0	1,142.0	954.0	739.0	577.0	464.0	340.0
NGA5120065HS0BA	A512/65G6	1.65	2,139.0	1,853.0	1,395.0	1,171.0	976.0	749.0	582.0	466.0	341.0
NGA5120065HS0BA	A512/65G6	1.60	2,315.0	1,976.0	1,443.0	1,183.0	987.0	754.0	584.0	468.0	342.0

