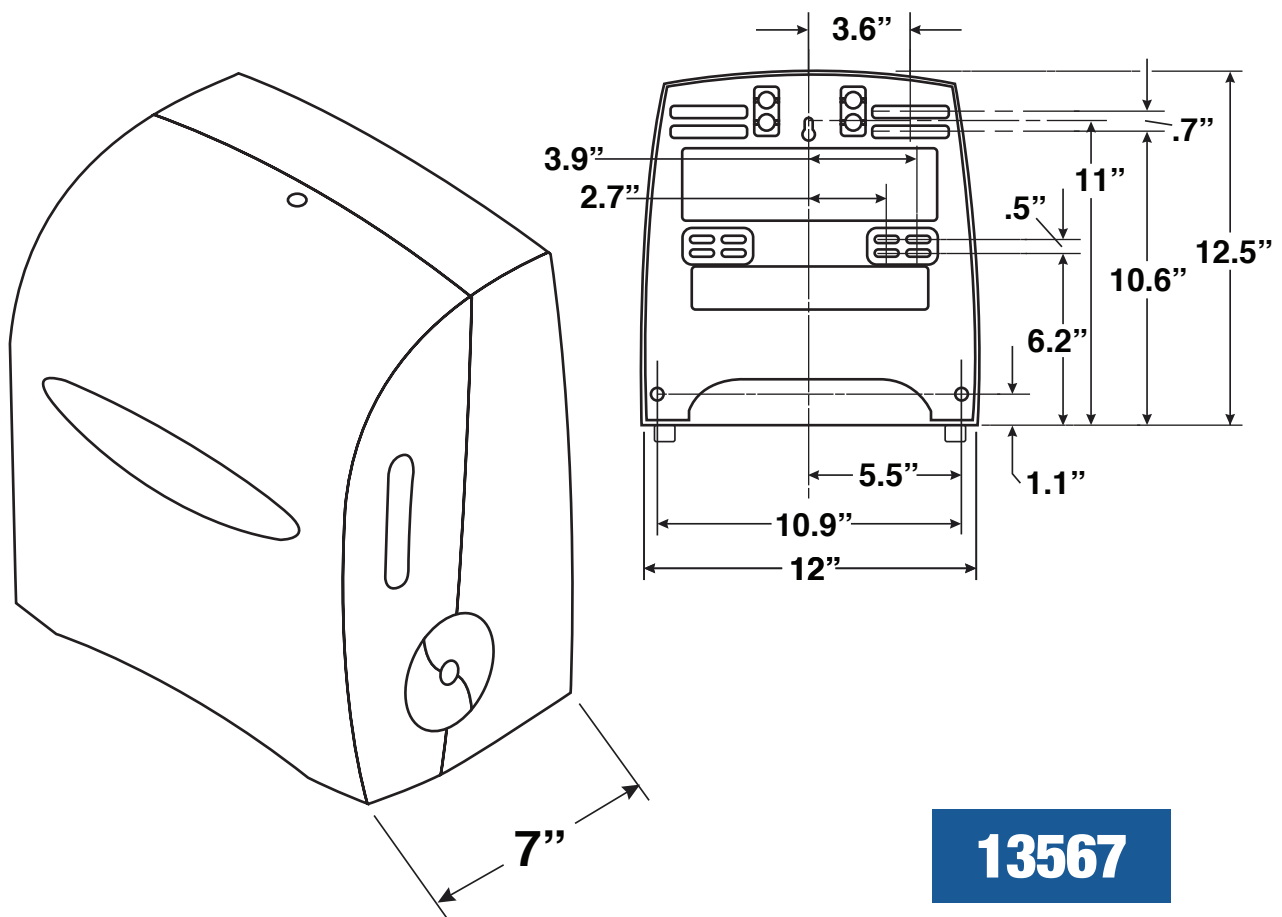


TOWEL Dispensers



13567

**SLIMROLL* MANUAL TOUCHLESS HRT DISPENSER
1.75 HUB**

Made of high impact plastic with a brushed metal finished cover and a black back. Clear front and side lenses for viewing product level. Dispenser advances and cuts a nominal 10 inches of towel when activated by pulling exposed towel. No-touch dispensing system helps to minimize the spread of dirt and germs. Dispenser one 6" diameter roll with 1.75" core. Features include emergency feed knob and choice of key-activated spring lock or push button operation. One per case.

Suggested mounting height 48" from bottom of housing

NOTE: Unless otherwise noted, suggested mounting height is the distance from the floor to the bottom of the dispenser.