



Confidea F-CM

Confidea Flushmount Chairman Microphone Unit



Description

The Confidea F-CM is Televic's microphone panel for the chairman, for use in basic discussion systems. Its small form factor, housed in an elegant casing, permits a minimalistic integration into any meeting room furniture. Since the Confidea F-CM panel has no integrated speaker, it is intended for use at venues where a room sound system is already installed. The panel has a screw-lock connector to fit a removable microphone (available in 30, 40 or 50 cm versions). The chairman version has 2 additional buttons compared to the delegate unit: "Next-in-line" and "Priority".

Benefits

The Confidea F-CM is a *sleek and discreet solution* that is perfectly suited to conference rooms with an existing sound system. The unit is available in a variety of *custom colors, sizes and finishes* to blend in neatly in any environment. The Confidea F-CM is backed by the Plixus® network and redundant cabling to ensure *maximum reliability*. Finally, its shielded microphone is immune to mobile phone interference.

Features

- Basic discussion function
- Tactile microphone push button with integrated LED
- Next-in-line button
- Priority button
- Rounded corners for easy installation
- Trademark natural Televic Sound
- Available in custom colors, sizes, finishes Basic discussion function

Connectivity

- Screw-lock microphone connector. Microphones sold separately.

D-MIC30SL	71.98.0053
D-MIC40SL	71.98.0054
D-MIC50SL	71.98.0055

- Two RJ 45 connectors for loop through cabling
- Plixus-powered

Software

To fully configure, manage, and use the unit, Televic's CoCon management software is required. The following standard licenses are available:

CoCon Discussion	71.98.1101
CoCon Signage	71.98.1102

Certifications

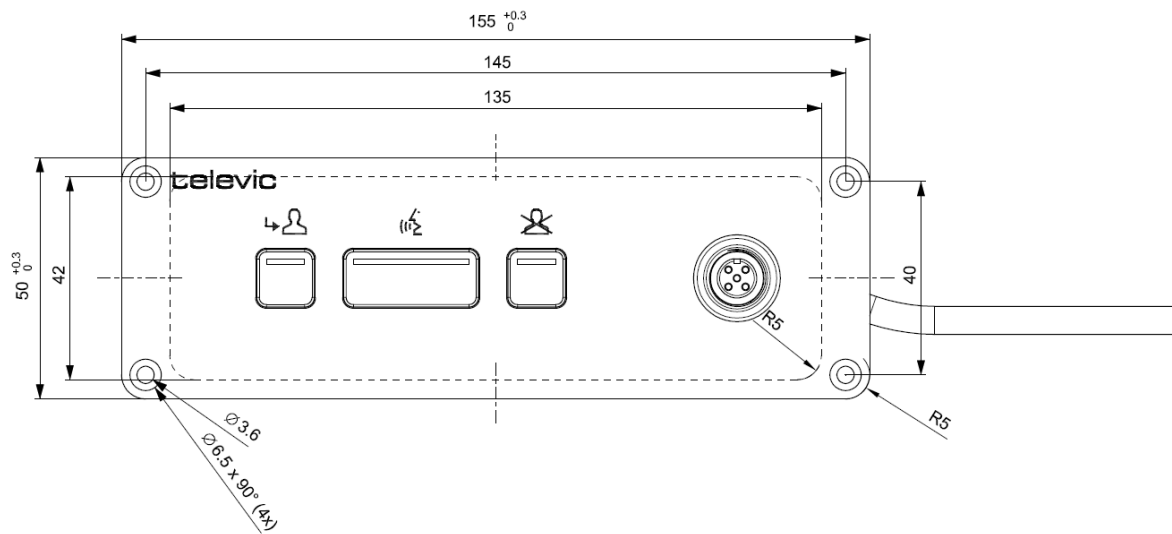
Region	Certification
Europe	CE

Specifications

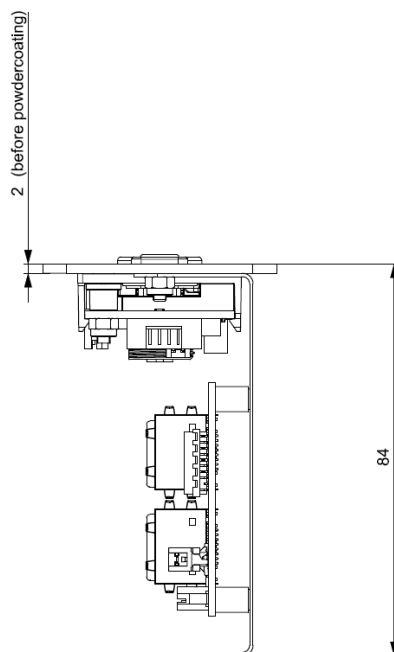
Mechanical	
Material	Steel
Color	Tiger coating Carbon 01
Size (mm)	155 (w) × 50 (h) × 85 (d)
Size packed (mm)	190 (w) × 85 (h) × 105 (d)
Weight (g)	280
Weight packed (g)	360
Electrical	
Voltage	48 VDC
Consumption	3 W
Microphone Input	
Dynamic range	> 90 dB
Frequency response	20-20,000 Hz
THD @ nominal level	0.1%

Diagrams

Front View (in mm)



Side View (in mm)



All information copyright **Televic Conference**, 2015.
Version 1.0, October 2015

Leo Bekaertlaan 1 · 8870 Izegem · Belgium

Tel. +32 51 30 30 45

Fax +32 51 31 06 70

E-mail: conference@televic.com

Web: <http://www.televic-conference.com>

Televic reserves the right to change this document without notice.



Confidea F-DM

Confidea Flushmount Delegate Microphone Unit



Description

The Confidea F-DM is Televic's microphone panel for basic discussion systems. Its small form factor, housed in an elegant casing, permits a minimalistic integration into any meeting room furniture. Since the Confidea F-DM panel has no integrated speaker, it is intended for use at venues where a room sound system is already installed. The panel has a screw-lock connector to fit a removable microphone (available in 30, 40 or 50 cm versions). The chairman version of this panel has additional controls (see Confidea F-CM **71.98.0515**).

Benefits

The Confidea F-DM is a *sleek and discreet solution* that is perfectly suited to conference rooms with an existing sound system. The unit is available in a variety of *custom colors, sizes and finishes* to blend in neatly in any environment. The Confidea F-DM is backed by the Plixus® network and redundant cabling to ensure *maximum reliability*. Finally, its shielded microphone is immune to mobile phone interference.

Features

- Basic discussion function
- Tactile microphone push button with integrated LED
- Rounded corners for easy installation
- Trademark natural Televic Sound
- Available in custom colors, sizes, finishes

Connectivity

- Screw-lock microphone connector. Microphones sold separately.

D-MIC30SL **71.98.0053**

D-MIC40SL **71.98.0054**

D-MIC50SL **71.98.0055**

- Two RJ 45 connectors for loop through cabling
- Plixus-powered

Software

To fully configure, manage, and use the unit, Televic's CoCon management software is required. The following standard licenses are available:

CoCon Discussion **71.98.1101**

CoCon Signage **71.98.1102**

Certifications

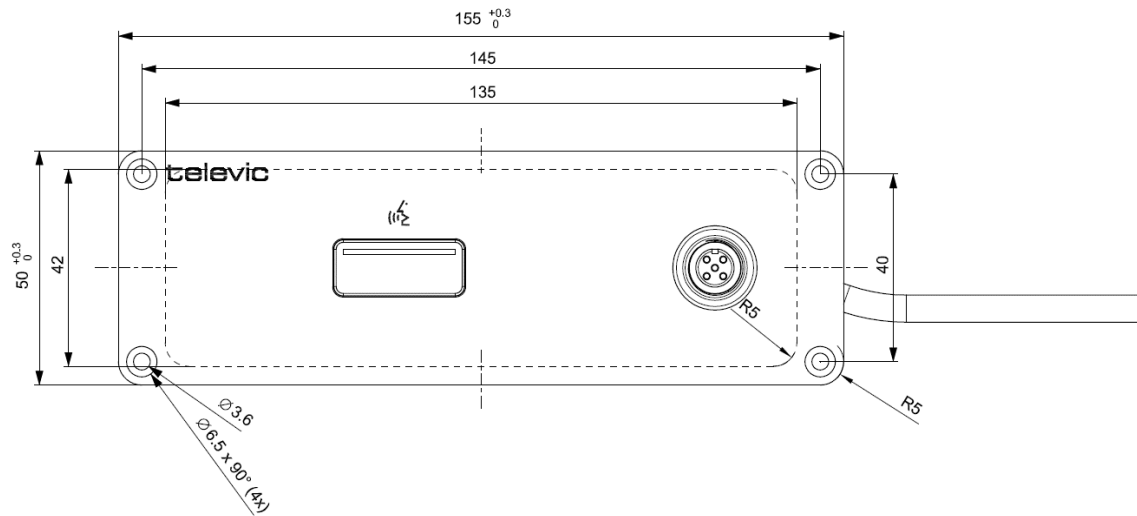
Region	Certification
Europe	CE

Specifications

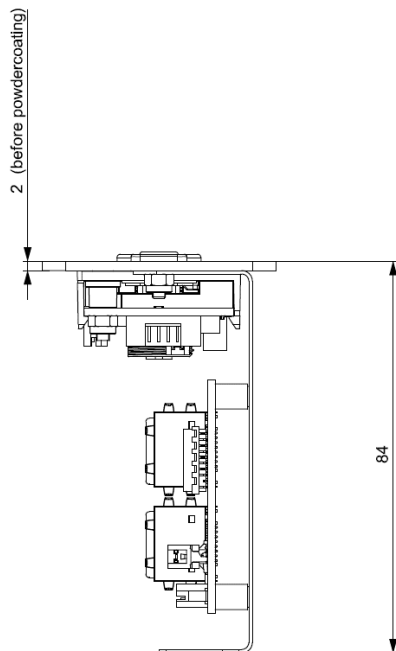
Mechanical	
Material	Steel
Color	Tiger coating Carbon 01
Size (mm)	155 (w) × 50 (h) × 85 (d)
Size packed (mm)	190 (w) × 85 (h) × 105 (d)
Weight (g)	280
Weight packed (g)	360
Electrical	
Voltage	48 VDC
Consumption	3.5 W
Microphone Input	
Dynamic range	> 90 dB
Frequency response	20-20,000 Hz
THD @ nominal level	0.1%

Diagrams

Front View (in mm)



Side View (in mm)



All information copyright **Televic Conference**, 2015.
Version 1.0, October 2015

—
Leo Bekaertlaan 1 · 8870 Izegem · Belgium
Tel. +32 51 30 30 45
Fax +32 51 31 06 70

E-mail: conference@televic.com

Web: <http://www.televic-conference.com>

Televic reserves the right to change this document without notice.