



## Confidea F-CV

### Confidea Flushmount Chairman Voting Unit



#### Description

The Confidea F-CV is Televic's chairman panel for basic discussion systems, with an integrated speaker and electronic voting. Its small form factor, housed in an elegant casing, permits a minimalistic integration into any meeting room furniture. The integrated speaker creates a distributed sound field in the meeting room, increasing intelligibility without the need for an additional room sound system. The panel has a screw-lock connector to fit a removable microphone (available in 30, 40 or 50 cm versions). A 3.5 mm jack socket is available to connect headphones or a hearing loop for the

hearing impaired. The voting systems includes 5 voting buttons and an RFID card reader for identification and authentication. The chairman version has 2 additional buttons compared to the delegate unit: "Next-in-line" and "Priority".

#### Benefits

The Confidea F-CV is a *sleek and discreet solution* that is perfectly suited to conference rooms without an existing sound system. The ability to connect headphones provides accessibility for the hearing impaired. The range of 5 voting buttons allows for easy and detailed voting options. The

unit is available in a variety of *custom colors, sizes and finishes* to blend in neatly in any environment. The Confidea F-CV is backed by the Plixus® network and redundant cabling to ensure *maximum reliability*. Finally, its shielded microphone is immune to mobile phone interference.

## Features

- Basic discussion function
- Electronic voting function
- Tactile microphone push button with integrated LED
- Tactile Next-in-line push button
- Tactile Priority push button
- 5 clear voting buttons with LED indicators: ++/+/0/-/--
- RFID card reader
- Integrated loudspeaker
- Rounded corners for easy installation
- Trademark natural Televic Sound
- Available in custom colors, sizes, finishes

## Connectivity

- Screw-lock microphone connector. Microphones sold separately.
- |                  |                   |
|------------------|-------------------|
| <b>D-MIC30SL</b> | <b>71.98.0053</b> |
| <b>D-MIC40SL</b> | <b>71.98.0054</b> |
| <b>D-MIC50SL</b> | <b>71.98.0055</b> |
- Two RJ 45 connectors for loop through cabling
  - 3.5 mm stereo jack socket for headphones
  - Plixus-powered

## Software

To fully configure, manage, and use the unit, Televic's CoCon management software is required. The following standard licenses are available:

<b>CoCon Discussion</b>	<b>71.98.1101</b>
<b>CoCon Signage</b>	<b>71.98.1102</b>
<b>CoCon Voting</b>	<b>71.98.1104</b>
<b>CoCon Authentication</b>	<b>71.98.1105</b>

## Certifications

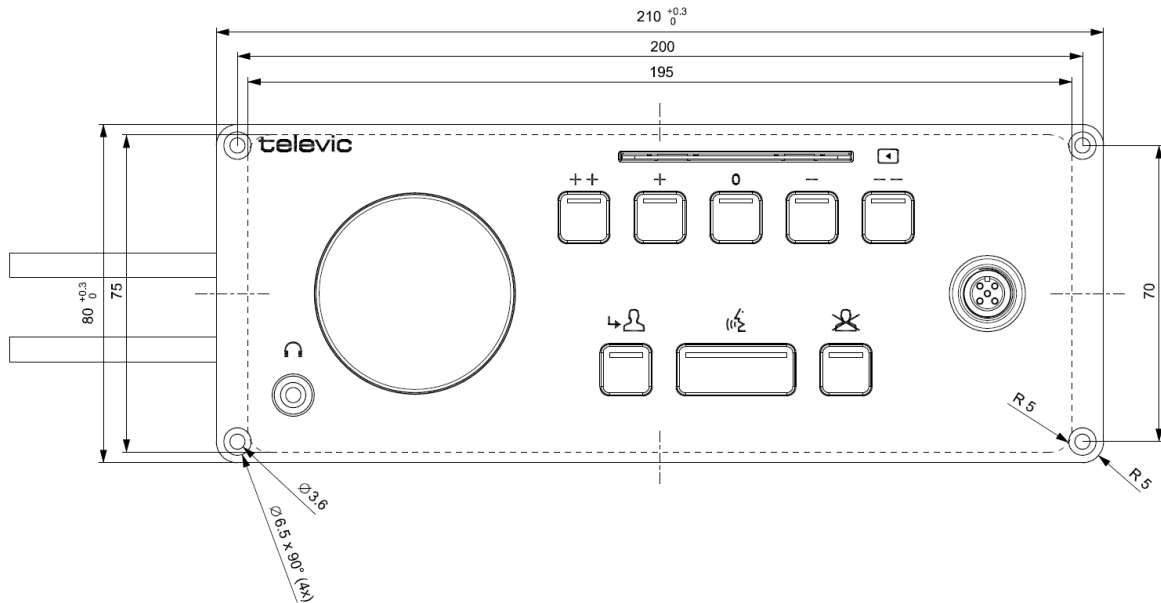
Region	Certification
Europe	CE

## Specifications

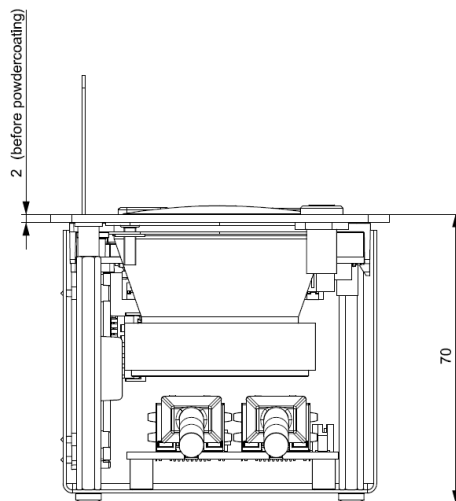
Mechanical	
Material	Steel
Color	Tiger coating Carbon 01
Size (mm)	210 (w) × 80 (h) × 70 (d)
Size (packed)	250 (w) × 120 (h) × 85 (d)
Weight (g)	740 g
Weight packed (g)	860 g
Electrical	
Voltage	48 VDC
Consumption	4 W
Speaker Output	
Maximum output power	> 1 W
Frequency response	200-20,000 Hz
Dynamic range	> 90 dB
THD @ nominal level	< 0.1%
Load impedance	8 Ω
Headphone Output	
Maximum output	> 10 mW
Frequency response	22-22,000 Hz
Dynamic range	> 90 dB
THD @ nominal level	< 0.1%
Load impedance	16-32 Ω
Microphone Input	
Dynamic range	> 90 dB
Frequency response	20-20,000 Hz
THD @ nominal level	0.1%

## Diagrams

Front View (in mm)



Side View (in mm)



All information copyright **Televic Conference**, 2015.  
Version 1.0, October 2015

—  
Leo Bekaertlaan 1 · 8870 Izegem · Belgium  
Tel. +32 51 30 30 45  
Fax +32 51 31 06 70  
E-mail: [conference@televic.com](mailto:conference@televic.com)  
Web: <http://www.televic-conference.com>

*Televic reserves the right to change this document without notice.*



## Confidea F-DV

### Confidea Flushmount Delegate Voting Unit



### Description

The Confidea F-DV is Televic's delegate panel for basic discussion systems, with an integrated speaker and electronic voting. Its small form factor, housed in an elegant casing, permits a minimalistic integration into any meeting room furniture. The integrated speaker creates a distributed sound field in the meeting room, increasing intelligibility without the need for an additional room sound system. The panel has a screw-lock connector to fit a removable microphone (available in 30, 40 or 50 cm versions). A 3.5 mm jack socket is available to connect headphones or a hearing loop for the

hearing impaired. The voting systems includes 5 voting buttons and an RFID card reader for identification and authentication. The chairman version of this panel has additional controls (see Confidea F-CV **71.98.0512**).

### Benefits

The Confidea F-DV is a *sleek and discreet solution* that is perfectly suited to conference rooms without an existing sound system. The ability to connect headphones provides accessibility for the hearing impaired. The range of 5 voting buttons allows for easy and detailed voting options. The

unit is available in a variety of *custom colors, sizes and finishes* to blend in neatly in any environment. The Confidea F-DV is backed by the Plixus® network and redundant cabling to ensure *maximum reliability*. Finally, its shielded microphone is immune to mobile phone interference.

## Features

- Basic discussion function
- Electronic voting function
- Tactile microphone push button with integrated LED
- 5 clear voting buttons with LED indicators: ++/+0/-/--
- RFID card reader
- Integrated loudspeaker
- Rounded corners for easy installation
- Trademark natural Televic Sound
- Available in custom colors, sizes, finishes

## Connectivity

- Screw-lock microphone connector. Microphones sold separately.
 

<b>D-MIC30SL</b>	<b>71.98.0053</b>
<b>D-MIC40SL</b>	<b>71.98.0054</b>
<b>D-MIC50SL</b>	<b>71.98.0055</b>
- Two RJ 45 connectors for loop through cabling
- 3.5 mm stereo jack socket for headphones
- Plixus-powered

## Software

To fully configure, manage, and use the unit, Televic's CoCon management software is required. The following standard licenses are available:

<b>CoCon Discussion</b>	<b>71.98.1101</b>
<b>CoCon Signage</b>	<b>71.98.1102</b>
<b>CoCon Voting</b>	<b>71.98.1104</b>
<b>CoCon Authentication</b>	<b>71.98.1105</b>

## Certifications

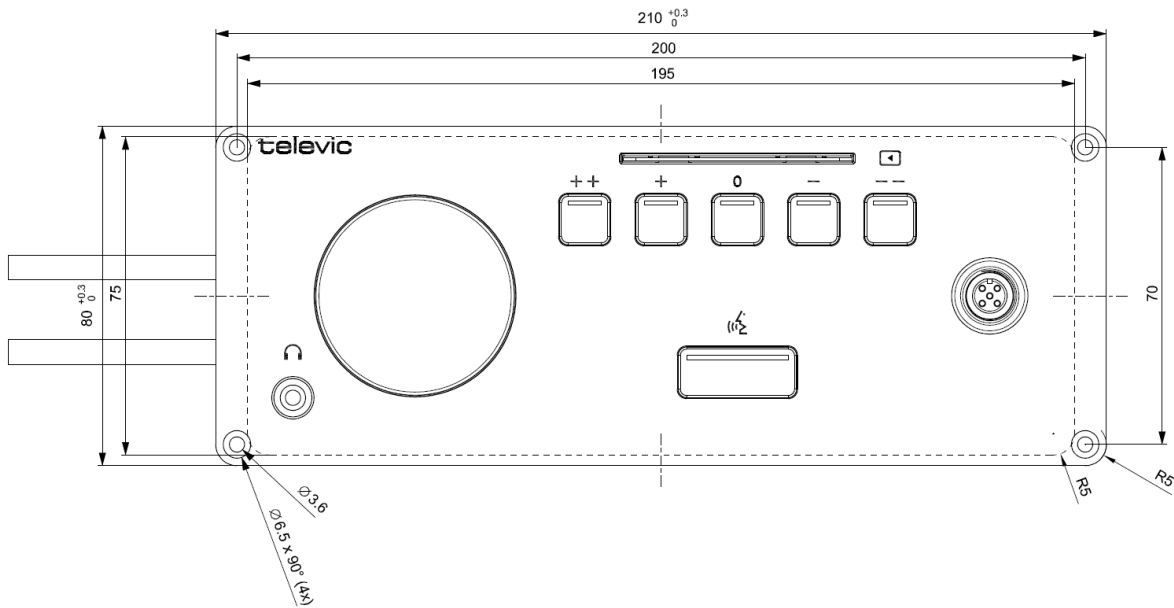
Region	Certification
Europe	CE

## Specifications

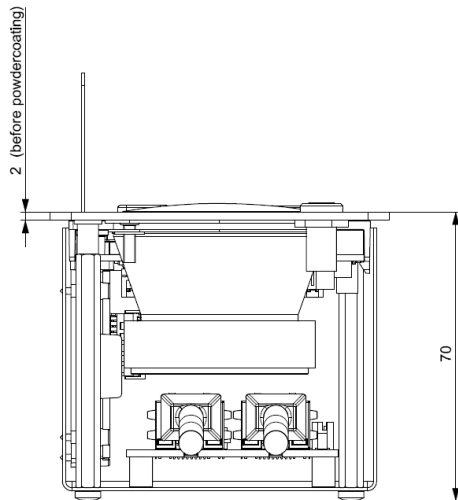
Mechanical	
Material	Steel
Color	Tiger coating Carbon 01
Size (mm)	210 (w) × 80 (h) × 70 (d)
Size (packed)	250 (w) × 120 (h) × 85 (d)
Weight (g)	740 g
Weight packed (g)	860 g
Electrical	
Voltage	48 VDC
Consumption	4 W
Speaker Output	
Maximum output power	> 1 W
Frequency response	200-20,000 Hz
Dynamic range	> 90 dB
THD @ nominal level	< 0.1%
Load impedance	8 Ω
Headphone Output	
Maximum output	> 10 mW
Frequency response	22-22,000 Hz
Dynamic range	> 90 dB
THD @ nominal level	< 0.1%
Load impedance	16-32 Ω
Microphone Input	
Dynamic range	> 90 dB
Frequency response	20-20,000 Hz
THD @ nominal level	0.1%

## Diagrams

### Front View (in mm)



### Side View (in mm)



All information copyright **Televic Conference**, 2015.  
Version 1.0, October 2015

—  
Leo Bekaertlaan 1 · 8870 Izegem · Belgium  
Tel. +32 51 30 30 45  
Fax +32 51 31 06 70  
E-mail: [conference@televic.com](mailto:conference@televic.com)  
Web: <http://www.televic-conference.com>

*Televic reserves the right to change this document without notice.*