



## Confidea F-CI

Confidea Flushmount Chairman Interpretation Unit



### Description

The Confidea F-CI is Televic's chairman panel for discussion systems, with an integrated speaker and simultaneous interpretation. Its small form factor, housed in an elegant casing, permits a minimalistic integration into any meeting room furniture. The integrated speaker creates a distributed sound field in the meeting room, increasing intelligibility without the need for an additional room sound system. The panel has a screw-lock connector to fit a removable microphone (available in 30, 40 or 50 cm versions). A 3.5 mm jack socket is available to connect headphones or a hearing loop for the

hearing impaired. For simultaneous interpretation, the panel has a channel selector and headphones volume adjustment. The information display shows the ISO code of the selected language and the volume setting. The chairman version has 2 additional buttons compared to the delegate unit: "Next-in-line" and "Priority".

### Benefits

The Confidea F-CI is a *sleek and discreet solution* that is perfectly suited to conference rooms without an existing sound system. The ability to connect headphones provides accessibility for the hearing impaired. The clear and easy channel

selector allows for user-friendly simultaneous interpretation conferences. The unit is available in a variety of *custom colors, sizes and finishes* to blend in neatly in any environment. The Confidea F-CI is backed by the Plixus® network and redundant cabling to ensure *maximum reliability*. Finally, its shielded microphone is immune to mobile phone interference.

## Features

- Basic discussion function
- Interpretation function
- Tactile microphone push button with integrated LED
- Tactile Priority push button
- Tactile Next-in-line push button
- Headphone volume adjustment
- Language channel selector
- Channel information display
- Integrated loudspeaker
- Rounded corners for easy installation
- Trademark natural Televic Sound
- Available in custom colors, sizes, finishes

## Connectivity

- Screw-lock microphone connector. Microphones sold separately.
- |                  |                   |
|------------------|-------------------|
| <b>D-MIC30SL</b> | <b>71.98.0053</b> |
| <b>D-MIC40SL</b> | <b>71.98.0054</b> |
| <b>D-MIC50SL</b> | <b>71.98.0055</b> |
- Two RJ 45 connectors for loop through cabling
  - 3.5 mm stereo jack socket for headphones
  - Plixus-powered

## Software

To fully configure, manage, and use the unit, Televic's CoCon management software is required. The following standard licenses are available:

<b>CoCon Discussion</b>	<b>71.98.1101</b>
<b>CoCon Signage</b>	<b>71.98.1102</b>
<b>CoCon Interpretation</b>	<b>71.98.1107</b>

## Certifications

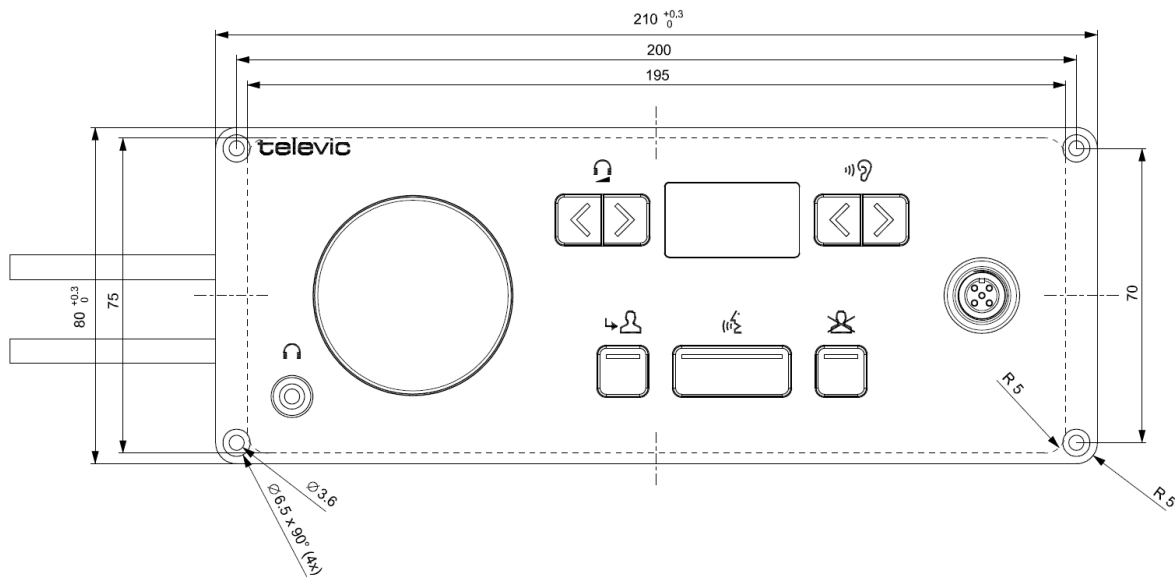
Region	Certification
Europe	CE

## Specifications

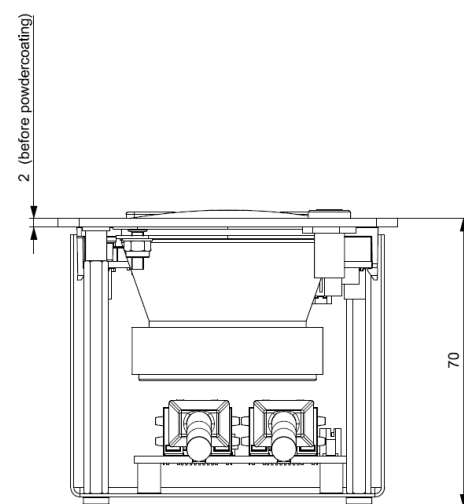
Mechanical	
Material	Steel
Color	Tiger coating Carbon 01
Size (mm)	210 (w) × 80 (h) × 70 (d)
Size packed (mm)	250 (w) × 120 (h) × 85 (d)
Weight (g)	740
Weight packed (g)	860
Electrical	
Voltage	48 VDC
Consumption	4 W
Speaker Output	
Maximum output power	> 1 W
Frequency response	200-20,000 Hz
Dynamic range	> 90 dB
THD @ nominal level	< 0.1%
Load impedance	8 Ω
Headphone Output	
Maximum output	> 10 mW
Frequency response	22-22,000 Hz
Dynamic range	> 90 dB
THD @ nominal level	< 0.1%
Load impedance	16-32 Ω
Microphone Input	
Dynamic range	> 90 dB
Frequency response	20-20,000 Hz
THD @ nominal level	0.1%
Display	
Display Type	OLED
Resolution	128 × 64
Character Height	5 mm

## Diagrams

Front View (in mm)



Side View (in mm)



All information copyright **Televic Conference**, 2015.  
Version 1.0, October 2015

Leo Bekaertlaan 1 · 8870 Izegem · Belgium

Tel. +32 51 30 30 45

Fax +32 51 31 06 70

E-mail: [conference@televic.com](mailto:conference@televic.com)

Web: <http://www.televic-conference.com>

*Televic reserves the right to change this document without notice.*



## Confidea F-DI

### Confidea Flushmount Delegate Interpretation Unit



### Description

The Confidea F-DI is Televic's delegate panel for discussion systems, with an integrated speaker and simultaneous interpretation. Its small form factor, housed in an elegant casing, permits a minimalistic integration into any meeting room furniture. The integrated speaker creates a distributed sound field in the meeting room, increasing intelligibility without the need for an additional room sound system. The panel has a screw-lock connector to fit a removable microphone (available in 30, 40 or 50 cm versions). A 3.5 mm jack socket is available to connect headphones or a hearing loop for the

hearing impaired. For simultaneous interpretation, the panel has a channel selector and headphones volume adjustment. The information display shows the channel number & ISO code of the selected language and the volume setting. The chairman version of this panel has additional controls (see Confidea F-CI **71.98.0513**).

### Benefits

The Confidea F-DI is a *sleek and discreet solution* that is perfectly suited to conference rooms without an existing sound system. The ability to connect headphones provides accessibility for the hearing impaired. The clear and easy channel

selector allows for user-friendly simultaneous interpretation conferences. The unit is available in a variety of *custom colors, sizes and finishes* to blend in neatly in any environment. The Confidea F-DI is backed by the Plixus® network and redundant cabling to ensure *maximum reliability*. Finally, its shielded microphone is immune to mobile phone interference.

## Features

- Basic discussion function
- Interpretation function
- Tactile microphone push button with integrated LED
- Headphone volume adjustment
- Language channel selector
- Channel information display
- Integrated loudspeaker
- Rounded corners for easy installation
- Trademark natural Televic Sound
- Available in custom colors, sizes, finishes

## Connectivity

- Screw-lock microphone connector. Microphones sold separately.

<b>D-MIC30SL</b>	<b>71.98.0053</b>
<b>D-MIC40SL</b>	<b>71.98.0054</b>
<b>D-MIC50SL</b>	<b>71.98.0055</b>

- Two RJ 45 connectors for loop through cabling
- 3.5 mm stereo jack socket for headphones
- Plixus-powered

## Software

To fully configure, manage, and use the unit, Televic's CoCon management software is required. The following standard licenses are available:

<b>CoCon Discussion</b>	<b>71.98.1101</b>
<b>CoCon Signage</b>	<b>71.98.1102</b>
<b>CoCon Interpretation</b>	<b>71.98.1107</b>

## Certifications

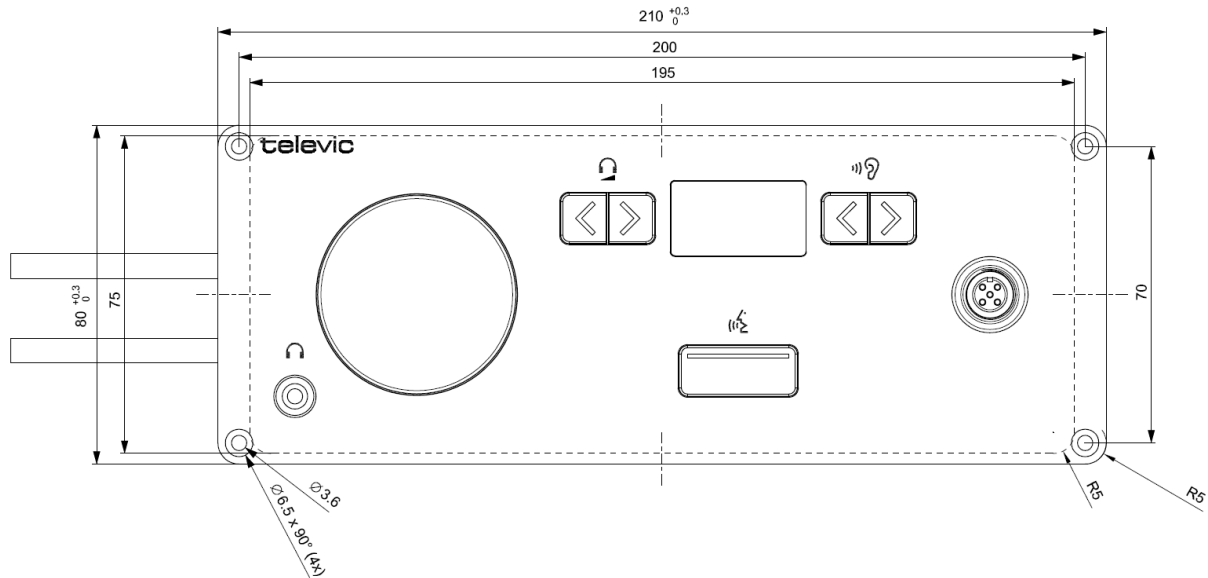
Region	Certification
Europe	CE

## Specifications

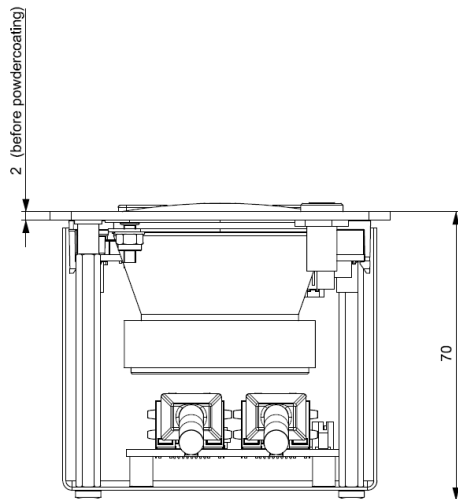
Mechanical	
Material	Steel
Color	Tiger coating Carbon 01
Size (mm)	210 (w) × 80 (h) × 70 (d)
Size packed (mm)	250 (w) × 120 (h) × 85 (d)
Weight (g)	740
Weight packed (g)	860
Electrical	
Voltage	48 VDC
Consumption	4 W
Speaker Output	
Maximum output power	> 1 W
Frequency response	200-20,000 Hz
Dynamic range	> 90 dB
THD @ nominal level	< 0.1%
Load impedance	8 Ω
Headphone Output	
Maximum output	> 10 mW
Frequency response	22-22,000 Hz
Dynamic range	> 90 dB
THD @ nominal level	< 0.1%
Load impedance	16-32 Ω
Microphone Input	
Dynamic range	> 90 dB
Frequency response	20-20,000 Hz
THD @ nominal level	0.1%
Display	
Display Type	OLED
Resolution	128 × 64
Character Height	5 mm

## Diagrams

### Front View (in mm)



### Side View (in mm)



All information copyright **Televic Conference**, 2015. Version 1.0, October 2015

Leo Bekaertlaan 1 · 8870 Izegem · Belgium

Tel. +32 51 30 30 45

Fax +32 51 31 06 70

E-mail: [conference@televic.com](mailto:conference@televic.com)

Web: <http://www.televic-conference.com>

*Televic reserves the right to change this document without notice.*



## Confidea F-CS

### Confidea Flushmount Channel Selector



#### Description

The Confidea F-CS is Televic's delegate panel for passive listening in systems with simultaneous interpretation. Its small form factor, housed in an elegant casing, permits a minimalistic integration into any meeting room furniture. What's more, the unit can be mounted in landscape or in portrait, i.e. in case of integration in armrests of auditorium seats. A 3.5 mm jack socket is available to connect headphones or a hearing loop for the hearing impaired. For simultaneous interpretation, the panel has a channel selector and headphones volume adjustment. The information display shows the channel number and ISO code of the selected language and the volume setting.

#### Benefits

The Confidea F-CS is a *sleek and discreet solution* that is perfectly suited to integrate in any context, from desks to armrests in auditorium seats. The ability to connect headphones, which also provides accessibility for the hearing impaired. The clear and easy channel selector allows for user-friendly simultaneous interpretation conferences. The unit is available in a variety of *custom colors, sizes and finishes* to blend in neatly in any environment. The Confidea F-CS is backed by the Plixus® network and redundant cabling to ensure *maximum reliability*.

## Features

- Passive listening function
- Interpretation function
- Headphone volume adjustment
- Language channel selector (64 channels available)
- Channel information display
- Rounded corners for easy installation
- Trademark natural Televic Sound
- Landscape or portrait mounting (desks or armrests)
- Available in custom colors, sizes, finishes

## Connectivity

- Two RJ 45 connectors for loop through cabling
- 3.5 mm stereo jack socket for headphones
- Plixus-powered, 64 channels available

## Software

To fully configure, manage, and use the unit, Televic's CoCon management software is required. The following standard licenses are available:

<b>CoCon Discussion</b>	<b>71.98.1101</b>
<b>CoCon Interpretation</b>	<b>71.98.1107</b>

## Certifications

Region	Certification
Europe	CE

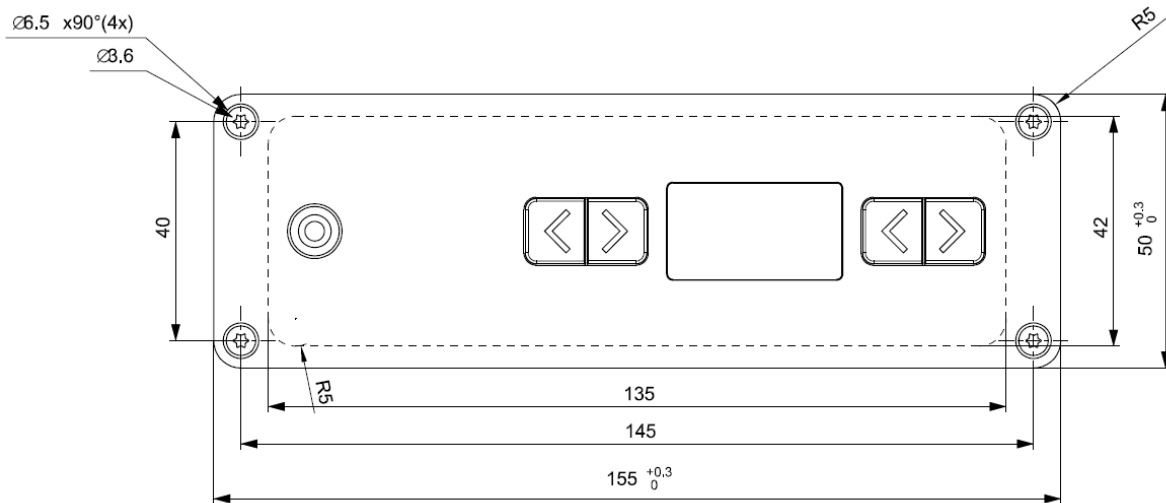
## Specifications

Mechanical	
Material	Steel
Color	Tiger coating carbon 01
Size (mm)	155 (w) × 50 (h) × 30 (d)
Size packed (mm)	205 (w) × 85 (h) × 40 (d)
Weight (g)	220
Weight packed (g)	280
Electrical	
Voltage	48 VDC
Consumption	2 W
Headphone Output	
Maximum output	> 10 mW
Frequency response	22-22,000 Hz
Dynamic range	> 90 dB
THD @ nominal level	< 0.1%
Load impedance	16-32 Ω

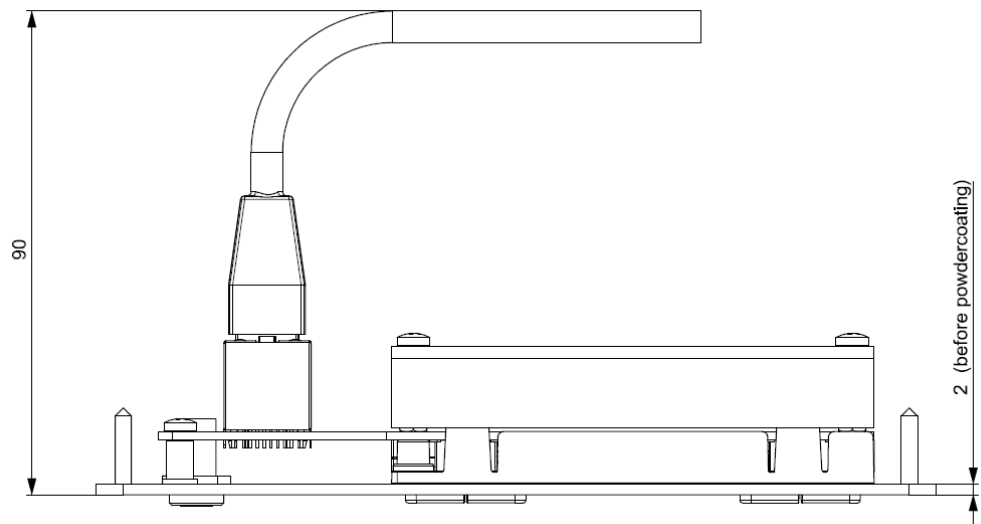


## Diagrams

### Front View (in mm)



### Side View (in mm)



All information copyright **Televic Conference**, 2017.  
Version 1.3, June 2017

—  
Leo Bekaertlaan 1 · 8870 Izegem · Belgium

Tel. +32 51 30 30 45

Fax +32 51 31 06 70

E-mail: [conference@televic.com](mailto:conference@televic.com)

Web: <http://www.televic-conference.com>

*Televic reserves the right to change this document without notice.*