



# InvoTech

YM/YF series Scroll Compressors

**Special Design For  
Mid Temp. and Lower Temp.  
Application**

*It is the outstanding engineering capability  
that builds the incomparable reliability*



## **Invotech Scroll Technologies Co., Ltd.**

is a high-tech company.

We design and manufacture 3-15 HP scroll Compressors for refrigerated warehouse, cold room, freezer, A/C & chiller, heat pump etc.

Our company is founded by a group of engineers who formerly worked for the world's largest manufacturer of scroll compressors. We are a team of passionate and highly qualified professionals with more than 15 years of experience in this industry. In addition, we have received investments from several leading venture capital firms in series A funding rounds.

We are dedicated to providing our clients with world-class products and high standard of services.

For more information, please go to our website:

[www.invotech.cn](http://www.invotech.cn)



<i>Product Features</i>		1
<hr/>		
<i>Models</i>		3
<hr/>		
<i>Nomenclature</i>		4
<hr/>		
<i>Technical Specifications</i>		
<b>YM</b>	R22	5
	R404A	6
<hr/>		
<b>YF</b>	R22	7
	R404A	8
<hr/>		
<i>Operating Envelope</i>		9
<hr/>		
<i>Capacity</i>		
<b>YM</b>	R22	11
	R404A	13
<hr/>		
<b>YF</b>	R22	15
	R404A	16
<hr/>		
<i>Dimensions</i>		17

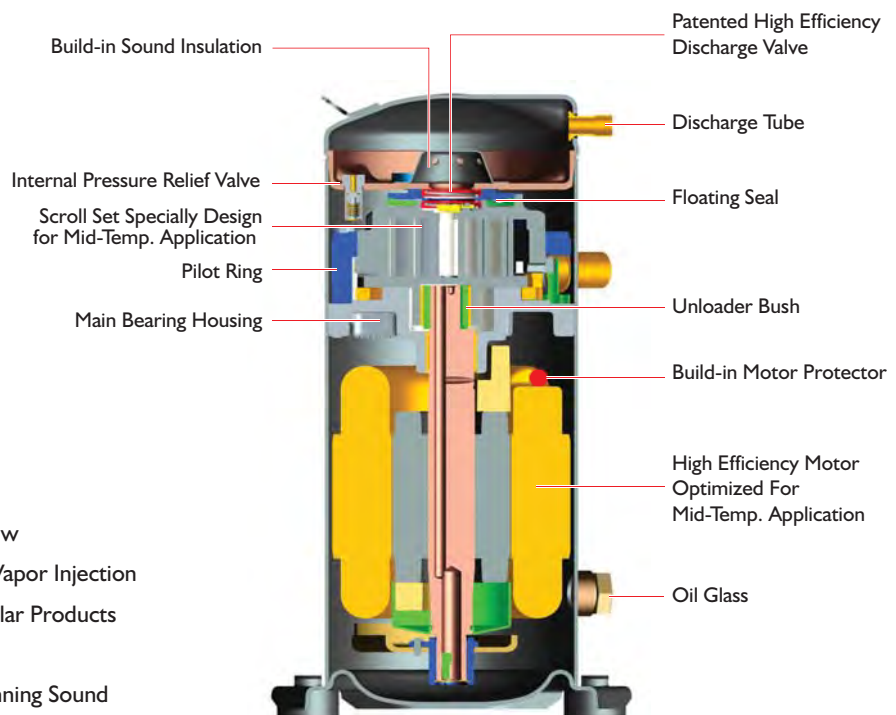
*It is the outstanding engineering capability  
that builds the incomparable reliability*



# YM Series

## Scroll Compressors With Dual-Compliance For Mid-Temp. Application

- Specific Design for Refs. Application, Not Only the Scroll Set But Also the Unit, Precise Product-Definition Based on Customer's Need
- Both Build-in Radius and Axial Compliances Design, Improved Floating Seal Design for Better Energy Efficiency
- Excellent Discharge Temperature Management to Stretch Operation Envelope
- Accurate Calculation of Load and Sealing Force for Running Sound Optimization
- High Efficiency Motor Design



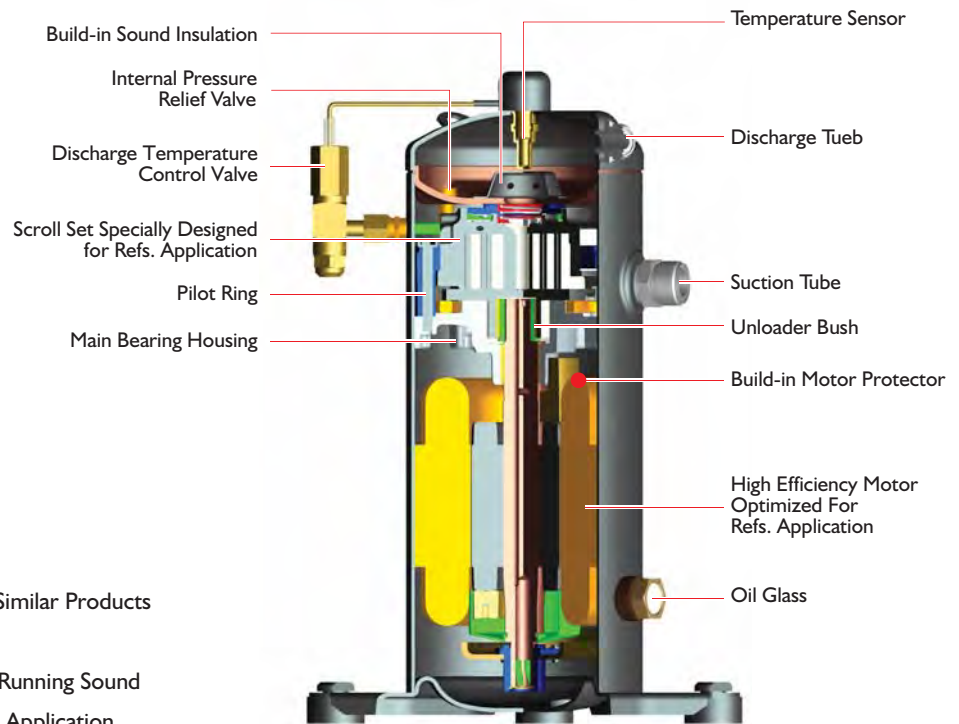
### Features

- Be Capable of Running Perfectly at as low as  $-15^{\circ}\text{C}$  Evap. Temp. Without Liquid / Vapor Injection
- 15% Better in terms of COP Than Similar Products in The Market
- Build-in Sound Insulation to Reduce Running Sound
- Scroll Design of Higher Build-in Compression Ratio For Refs. Application
- Optimized Floating Seal Design for Better COP
- Multiple Internal Protections
  - High Pressure Protection
  - Overload Protection

# YF Series

## Scroll Compressors With Dual-Compliance For Low Temp. Application

- Specific Design for Refs. Application, Not Only the Scroll Set But Also the Unit, Precise Product-Definition Based on Customer's Need
- Both Build-in Radius and Axial Compliances Design, Improved Floating Seal Design for Better Energy Efficiency
- Excellent Discharge Temperature Management to Stretch Operation Envelope
- Accurate Calculation of Load and Sealing Force for Running Sound Optimization
- High Efficiency Motor Design

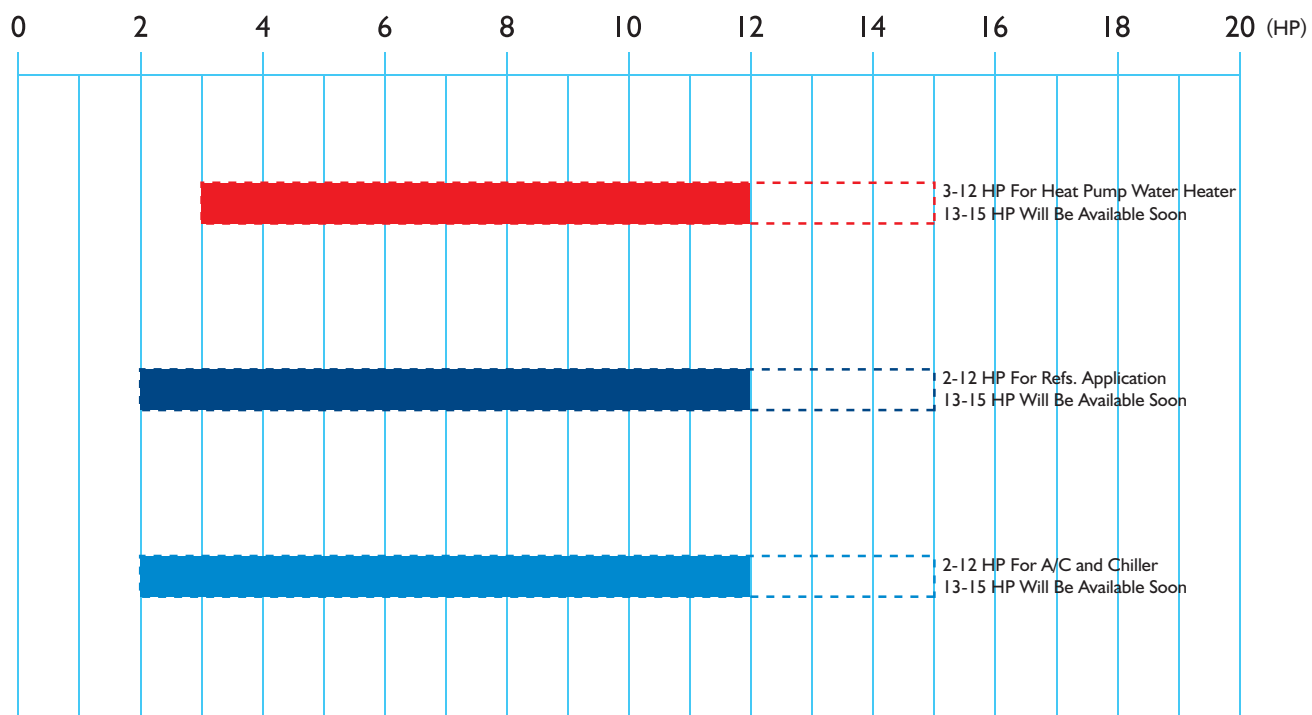


### Features

- Be Capable of Running Perfectly at as low as  $-40^{\circ}\text{C}$  Evap. Temp.
- 20% Better in Terms of COP Than Similar Products in The Market
- Build-in Sound Insulation to Reduce Running Sound
- Truly Specific Scroll Design For Refs. Application
- Optimized Floating Seal Design for Better COP
- Multiple Internal Protections
  - High Pressure Protection
  - Overload Protection

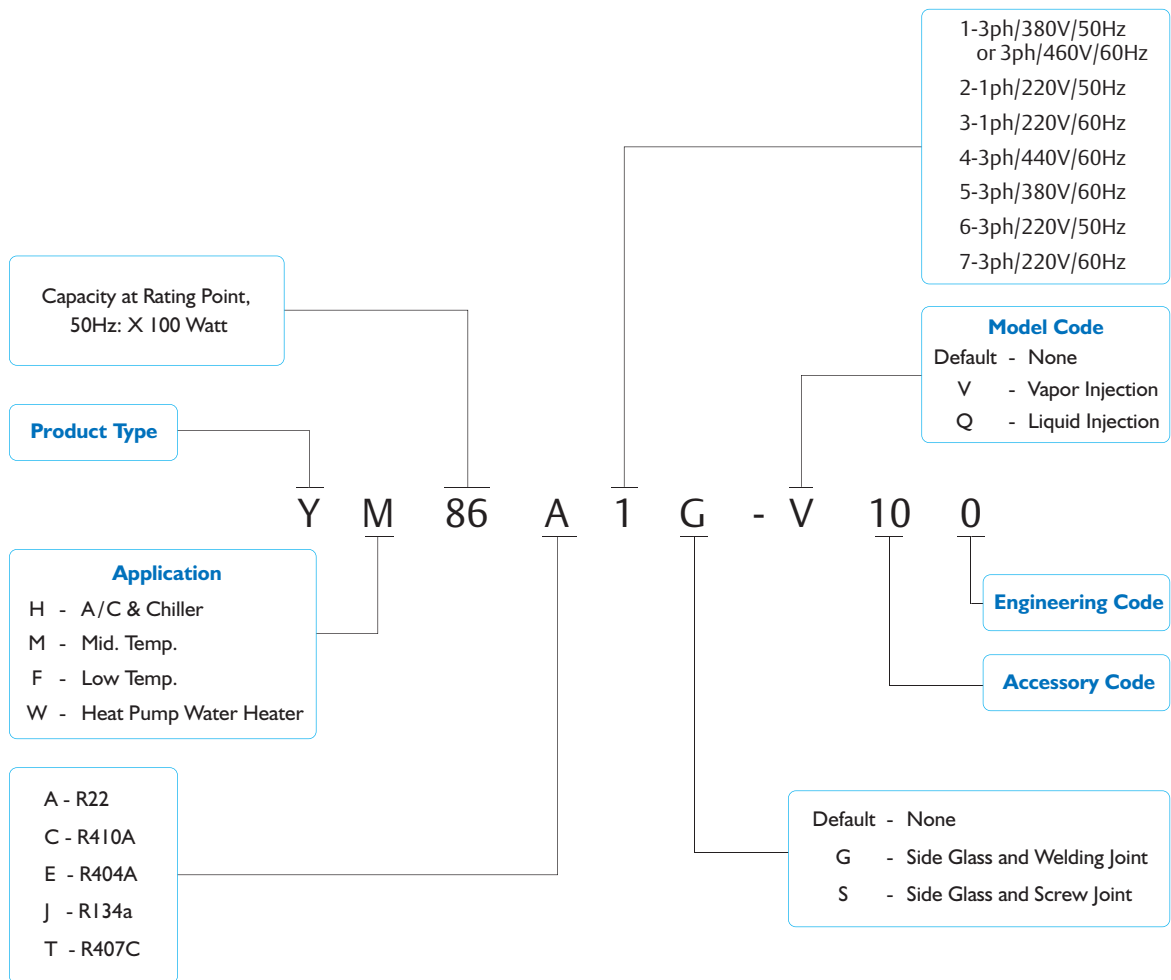
# YM/YF Series

## Models



# YM/YF Series

## Nomenclature



Model	YM34A 2G-100	YM43A 2G-100	YM49A 2G-100	YM70A 2G-100	YM34A 1G-100	YM43A 1G-100	YM49A 1G-100	YM70A 1G-100	YM86A 1G-100	YM102A 1G-100	YM132A 1G-100	YM172A 1G-100	YM200A 1G-100
Electricity	220V/50Hz/1P				380V/50Hz/3P								
Power in Horse Power (HP)	2	2.5	3	4	2	2.5	3	4	5	6	8	10	12
Refrigerant	R22												
Capacity (W)	3600	4300	4900	7000	3400	4300	4900	7000	8600	10200	13200	17200	20000
Power in Watt (W)	1860	2130	2300	3180	1620	2030	2250	3120	3750	4430	5690	7320	8510
Running Current (A)	8.6	10.1	10.6	15.1	4.0	4.7	4.9	6.1	7.6	8.5	11.6	13.7	15.2
COP (W/W)	1.98	2.02	2.13	2.21	2.10	2.12	2.18	2.25	2.29	2.30	2.32	2.35	2.35
LRA (A)	76	76	85	109	22	45	45	60	60	65	117	121	121
MOC (A)	15.2	16.2	16.8	26.5	4.9	6.1	8.3	9.7	11.5	13.5	17.4	22.3	25
Crankcase Heater (W)	70						90						
Fitting Dimensions (Inch)													
Discharge Tube (OD)	1/2						7/8						
Suction Tube (OD)	7/8						1 1/8						
Product Dimensions(MM)													
Length (L)	239						260						
Width (W)	239						244						
Height (H)	418						508						
Feet Dimensions (Hole)	190X190(8.5)												
Oil Type	3GS												
Initial Charge Volume(L)	1.4						2.7						
Recharge Volume(L)	1.25						2.6						
Max Operating Pressure(MPa)													
High Side							3.0						
Low Side							2.0						
Weight(kg)	31	31	31	33	29	29	30	31	31	33	53	54	54

E.T. -6.7°C, C.T. 48.9°C, R.G. 4.4°C, No Subcooling



Model	YM34E 2G-100	YM43E 2G-100	YM49E 2G-100	YM70E 2G-100	YM34E 1G-100	YM43E 1G-100	YM49E 1G-100	YM70E 1G-100	YM86E 1G-100	YM102E 1G-100	YM132E 1G-100	YM172E 1G-100	YM200E 1G-100	
Electricity	220V/50Hz/1P				380V/50Hz/3P									
Power in Horse Power (HP)	2	2.5	3	4	2	2.5	3	4	5	6	8	10	12	
Refrigerant	R404A													
Capacity (W)	3670	4380	5000	7140	3470	4380	5000	7140	8750	10380	13430	17500	20350	
Power in Watt (W)	2060	2380	2500	3570	1820	2280	2450	3500	4230	4940	6330	8180	9510	
Running Current (A)	9.8	11.3	11.7	16.6	4.4	4.8	5.1	6.6	8.0	9.4	12.5	14.8	16.8	
COP (W/W)	1.78	1.84	2.00	2.00	1.90	1.92	2.04	2.04	2.07	2.10	2.12	2.14	2.14	
LRA (A)	76	76	85	109	22	45	45	60	60	65	117	121	121	
MOC (A)	16.2	17.2	17.5	31.8	5.2	6.6	9.0	10.0	12.8	14.5	18.4	23.6	26.5	
Crankcase Heater (W)	70						90							
Fitting Dimensions (Inch)														
Discharge Tube (OD)	1/2						7/8							
Suction Tube (OD)	7/8						1 1/8							
Product Dimensions(MM)														
Length (L)	239						260							
Width (W)	239						244							
Height (H)	418						508							
Feet Dimensions (Hole)	190X190(8.5)													
Oil Type	POE													
Initial Charge Volume(L)	1.4						2.7							
Recharge Volume(L)	1.25						2.6							
Max Operating Pressure(MPa)														
High Side							3.0							
Low Side							2.0							
Weight(kg)	31	31	31	33	29	29	30	31	31	31	53	54	54	

E.T. -6.7°C, C.T. 48.9°C, R.G. 4.4°C, No Subcooling

# YF Series

## Specifications

# R22

Model	YF13A2G -Q100	YF17A2G -Q100	YF20A2G -Q100	YF29A2G -Q100	YF13A1G -Q100	YF17A1G -Q100	YF20A1G -Q100	YF29A1G -Q100	YF35A1G -Q100	YF41A1G -Q100
Electricity	220V/50Hz/1P				380V/50Hz/3P					
Power in Horse Power (HP)	2	2.5	3	4	2	2.5	3	4	5	6
Refrigerant	R22									
Capacity (W)	1300	1660	1950	2950	1300	1660	1950	2900	3500	4100
Power in Watt (W)	1180	1500	1740	2410	1160	1470	1710	2200	2550	2930
Running Current (A)	5.6	7.1	8.1	11.4	2.3	2.7	4.3	4.8	5.9	6.4
COP (W/W)	1.10	1.11	1.12	1.22	1.12	1.13	1.14	1.32	1.37	1.40
LRA (A)	76	76	85	109	22	22	45	60	60	65
MOC (A)	12.6	13.4	15.3	22	3.6	4.8	5.5	8.4	9.8	11.5
Crankcase Heater (W)	70									
Fitting Dimensions (Inch)										
Discharge Tube (OD)	1/2									
Suction Tube (OD)	7/8									
Product Dimensions(MM)										
Length (L)	239									
Width (W)	239									
Height (H)	418									
Feet Dimensions (Hole)	190X190(8.5)									
Oil Type	3GS									
Initial Charge Volume(L)	1.4									
Recharge Volume(L)	1.25									
Max Operating Pressure(MPa)										
High Side	3.0									
Low Side	2.0									
Weight(kg)	31	31	31	33	30	30	30	32	32	33

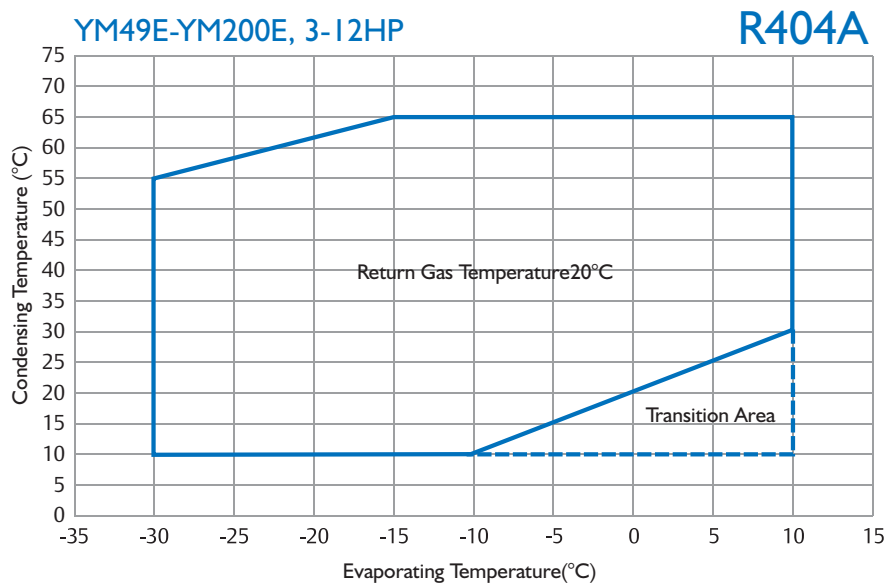
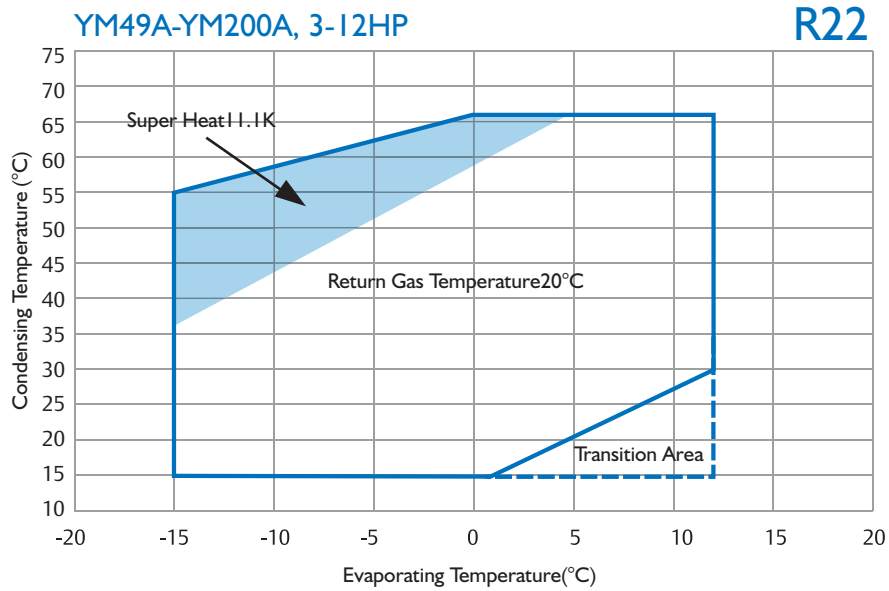
E.T. -31.6°C, C.T. 40.6°C, R.G. 4.4°C, No Subcooling

Model	YF13E2G -Q100	YF17E2G -Q100	YF20E2G -Q100	YF29E2G -Q100	YF13E1G -Q100	YF17E1G -Q100	YF20E1G -Q100	YF29E1G -Q100	YF35E1G -Q100	YF41E1G -Q100
Electricity	220V/50Hz/1P				380V/50Hz/3P					
Power in Horse Power (HP)	2	2.5	3	4	2	2.5	3	4	5	6
Refrigerant	R404A									
Capacity (W)	1540	1970	2320	3510	1540	1970	2330	3420	3700	4300
Power in Watt (W)	1300	1650	1920	2650	1280	1620	1880	2440	2800	3160
Running Current (A)	6.2	7.8	9.1	12.5	2.5	4.1	4.5	5.1	6.2	7.0
COP (W/W)	1.18	1.19	1.21	1.32	1.21	1.22	1.24	1.40	1.32	1.36
LRA (A)	76	76	85	109	22	22	45	60	60	65
MOC (A)	13.4	14.2	16.2	23.3	4	5.2	5.8	8.8	10.3	12.1
Crankcase Heater (W)	70									
Fitting Dimensions (Inch)										
Discharge Tube (OD)	1/2									
Suction Tube (OD)	7/8									
Product Dimensions(MM)										
Length (L)	239									
Width (W)	239									
Height (H)	418									
Feet Dimensions (Hole)	190X190(8.5)									
Oil Type	POE									
Initial Charge Volume(L)	1.4									
Recharge Volume(L)	1.25									
Max Operating Pressure(MPa)										
High Side	3.0									
Low Side	2.0									
Weight(kg)	31	31	31	33	30	30	30	32	32	32

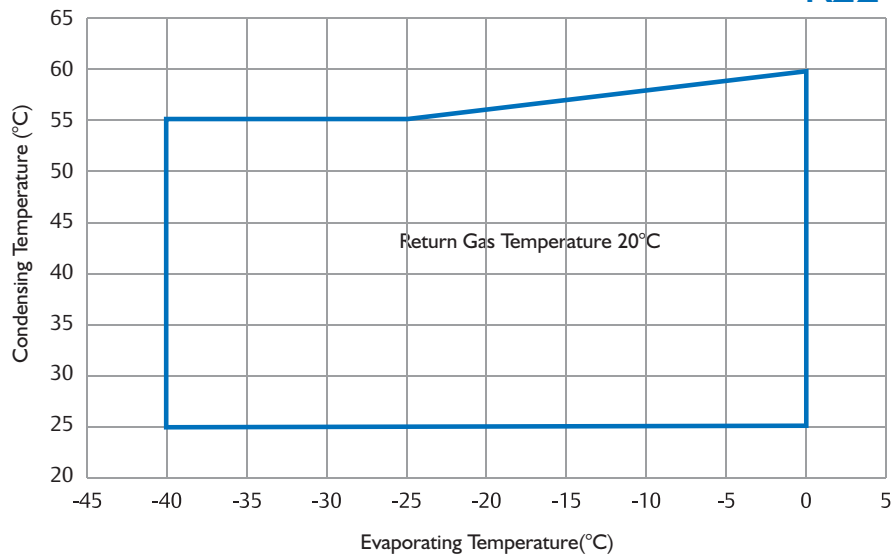
E.T. -31.6°C, C.T. 40.6°C, R.G. 4.4°C, No Subcooling

# YM Series

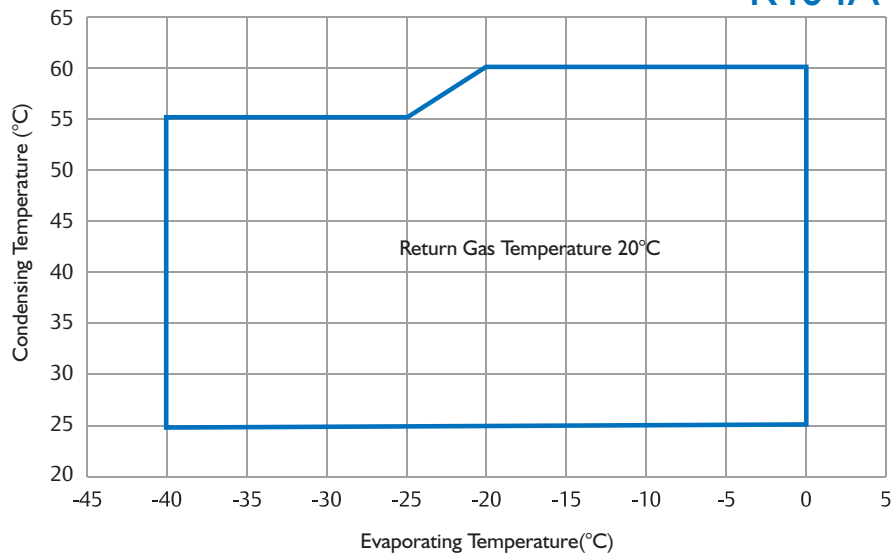
## Operating Envelope



### R22



### R404A





# YM Series

## Capacity

# R22

Model	C.T. (°C)	E.T.(°C)						
		-15	-10	-5	0	5	10	
YM34AIG	Capacity (W)	60	3061	3663	4170	5062	6041	
		50	2788	3252	3931	4737	5694	6704
		40	3010	3532	4352	5237	6201	7300
	Watt (W)	30	3045	3772	4754	5706	6668	7512
		60		1858	1924	1994	2055	2146
		50	1487	1542	1645	1715	1762	1839
		40	1277	1368	1453	1483	1512	1605
		30	1111	1193	1276	1303	1338	1408
		60		3887	4652	5295	6428	7671
YM43AIG	Capacity (W)	50	3541	4130	4992	6016	7230	8513
		40	3822	4485	5526	6650	7875	9269
		30	3866	4790	6037	7246	8468	9539
	Watt (W)	60		2327	2410	2498	2573	2688
		50	1862	1932	2060	2149	2207	2304
		40	1600	1714	1820	1857	1894	2011
		30	1391	1495	1599	1632	1677	1764
		60		4447	5322	6058	7354	8777
		YM49AIG	Capacity (W)	50	4051	4725	5712	6883
40	4373			5131	6323	7609	9010	10606
30	4424			5481	6907	8291	9689	10914
Watt (W)	60			2574	2667	2764	2847	2974
	50		2060	2137	2279	2377	2442	2548
	40		1770	1896	2014	2055	2096	2224
	30		1539	1654	1769	1805	1855	1952
	60			6365	7618	8671	10526	12563
	YM70AIG		Capacity (W)	50	5799	6763	8175	9852
40		6259		7345	9050	10890	12897	15180
30		6332		7845	9886	11867	13867	15622
Watt (W)		60		3668	3800	3938	4057	4238
		50	2936	3045	3247	3387	3479	3631
		40	2522	2701	2869	2928	2986	3170
		30	2193	2357	2520	2572	2643	2781
		60		7802	9337	10629	12902	15399
		YM86AIG	Capacity (W)	50	7107	8289	10021	12076
40	7672			9003	11092	13348	15808	18607
30	7761			9616	12118	14545	16997	19148
Watt (W)	60			4418	4577	4743	4886	5104
	50		3536	3668	3911	4080	4191	4374
	40		3037	3254	3456	3526	3597	3818
	30		2641	2838	3035	3098	3183	3349

Capacity @ 20°C Return Gas Temperature, No Sub Cooling

Capacity @ 11.1K Super Heat, No Sub Cooling

Model	C.T. (°C)	E.T.(°C)							
		-15	-10	-5	0	5	10		
<b>YMI02A1G</b>	Capacity (W)	60		9253	11074	12606	15303	18264	
		50	8430	9832	11885	14322	17214	20268	
		40	9099	10677	13156	15832	18748	22069	
		30	9205	11405	14372	17251	20160	22710	
	Watt (W)	60		5240	5428	5626	5795	6054	
		50	4194	4350	4639	4839	4970	5188	
		40	3603	3859	4099	4182	4266	4528	
		30	3133	3366	3600	3674	3776	3973	
	<b>YMI32A1G</b>	Capacity (W)	60		11975	14332	16314	19804	23635
			50	10909	12723	15381	18535	22276	26229
			40	11775	13818	17026	20488	24263	28559
			30	11912	14760	18599	22325	26089	29390
Watt (W)		60		6713	6954	7208	7425	7756	
		50	5373	5574	5944	6199	6368	6646	
		40	4616	4944	5252	5358	5465	5801	
		30	4014	4313	4612	4708	4837	5090	
<b>YMI72A1G</b>		Capacity (W)	60		15603	18675	21257	25805	30798
			50	14215	16579	20041	24151	29027	34177
			40	15343	18005	22185	26697	31615	37214
			30	15522	19232	24235	29090	33995	38296
	Watt (W)	60		8659	8970	9297	9577	10004	
		50	6931	7189	7666	7996	8214	8573	
		40	5953	6377	6774	6912	7049	7483	
		30	5177	5563	5949	6072	6239	6565	
	<b>YM200A1G</b>	Capacity (W)	60		18143	21715	24718	30005	35811
			50	16529	19278	23304	28083	33752	39741
			40	17841	20936	25796	31042	36762	43272
			30	18049	22363	28181	33826	39529	44530
Watt (W)		60		10069	10430	10811	11136	11632	
		50	8059	8359	8914	9298	9551	9968	
		40	6923	7415	7877	8037	8197	8701	
		30	6020	6469	6918	7061	7255	7634	

Capacity @ 20°C Return Gas Temperature, No Sub Cooling

Capacity @ 11.1K Super Heat, No Sub Cooling

Model	C.T. (°C)	E.T.(°C)										
		-30	-25	-20	-15	-10	-5	0	5	10		
<b>YM34E1G</b>	Capacity (W)	60			1665	1990	2482	2994	3606	4320	5034	
		50	1132	1609	2086	2528	3103	3733	4462	5320	6177	
		40	1545	2026	2507	3065	3723	4471	5319	6320	7320	
	Watt (W)	60			2285	2291	2294	2300	2313	2272	2231	
		50	1888	1901	1913	1915	1916	1923	1907	1888	1870	
		40	1519	1529	1540	1538	1537	1546	1501	1505	1509	
		30	1210	1219	1229	1227	1226	1220	1193	1183	1173	
	<b>YM43E1G</b>	Capacity (W)	60			2112	2525	3149	3798	4574	5480	6385
			50	1436	2041	2646	3206	3936	4735	5661	6748	7835
40			1960	2570	3180	3888	4723	5672	6747	8016	9286	
Watt (W)		60			2856	2863	2867	2874	2890	2839	2788	
		50	2360	2375	2390	2393	2394	2403	2383	2360	2336	
		40	1898	1911	1924	1922	1920	1931	1876	1880	1885	
		30	1512	1524	1535	1534	1532	1525	1490	1478	1465	
<b>YM49E1G</b>		Capacity (W)	60			2409	2880	3592	4333	5218	6251	7284
			50	1638	2328	3018	3658	4490	5401	6457	7698	8938
	40		2236	2932	3628	4435	5388	6470	7697	9145	10593	
	Watt (W)	60			3167	3175	3180	3187	3205	3148	3092	
		50	2617	2634	2650	2653	2655	2665	2642	2617	2591	
		40	2105	2119	2134	2132	2130	2142	2080	2085	2091	
		30	1677	1690	1703	1701	1699	1691	1653	1639	1625	
	<b>YM70E1G</b>	Capacity (W)	60			3521	4210	5250	6333	7627	9137	10647
			50	2395	3403	4412	5346	6563	7895	9439	11252	13066
40			3268	4286	5303	6483	7876	9457	11251	13367	15484	
Watt (W)		60			4420	4431	4437	4448	4472	4393	4314	
		50	3652	3675	3699	3703	3705	3719	3687	3652	3616	
		40	2937	2958	2978	2975	2972	2989	2903	2910	2918	
		30	2340	2358	2376	2374	2371	2360	2307	2287	2268	
<b>YM86E1G</b>		Capacity (W)	60			4316	5160	6436	7763	9349	11200	13051
			50	2935	4172	5408	6553	8045	9677	11570	13792	16015
	40		4006	5253	6500	7946	9653	11592	13791	16385	18979	
	Watt (W)	60			5323	5337	5345	5358	5387	5292	5197	
		50	4399	4427	4455	4460	4462	4479	4442	4399	4356	
		40	3538	3563	3587	3583	3580	3600	3497	3506	3515	
		30	2819	2841	2862	2859	2856	2842	2778	2755	2732	

Capacity @ 20°C Return Gas Temperature, No Sub Cooling

Model	C.T. (°C)	E.T.(°C)										
		-30	-25	-20	-15	-10	-5	0	5	10		
<b>YMI02EIG</b>	Capacity (W)	60			5119	6120	7633	9206	11087	13283	15478	
		50	3481	4947	6414	7772	9541	11477	13722	16357	18993	
		40	4751	6230	7709	9424	11449	13748	16356	19432	22509	
	Watt (W)	30	5411	7207	9004	10893	13296	15896	18867	22384	25901	
		60			6440	6456	6465	6481	6516	6401	6286	
		50	5321	5355	5390	5395	5398	5418	5373	5321	5269	
	<b>YMI32EIG</b>	Capacity (W)	40	4280	4310	4339	4335	4330	4355	4230	4241	4252
			30	3410	3436	3462	3459	3455	3438	3361	3333	3305
			60			6625	7921	9879	11915	14350	17191	20033
Watt (W)		50	4505	6403	8301	10059	12348	14855	17759	21171	24582	
		40	6149	8063	9978	12198	14818	17794	21168	25150	29132	
		30	7003	9328	11654	14099	17208	20574	24419	28971	33522	
<b>YMI72EIG</b>		Capacity (W)	60			8090	8110	8122	8142	8186	8041	7897
			50	6685	6727	6770	6778	6781	6806	6750	6684	6619
			40	5376	5414	5451	5445	5440	5471	5313	5327	5341
	Watt (W)	30	4284	4317	4349	4345	4340	4319	4222	4187	4151	
		60			8632	10320	12871	15525	18697	22399	26101	
		50	5870	8343	10816	13106	16089	19355	23139	27584	32029	
	<b>YM200EIG</b>	Capacity (W)	40	8012	10506	13000	15893	19307	23184	27581	32769	37957
			30	9124	12154	15184	18370	22421	26807	31816	37747	43677
			60			10434	10460	10475	10501	10558	10371	10185
Watt (W)		50	8622	8677	8732	8742	8746	8779	8705	8621	8537	
		40	6934	6983	7031	7023	7016	7057	6853	6871	6888	
		30	5525	5567	5610	5604	5598	5570	5445	5400	5354	
<b>YM200EIG</b>		Capacity (W)	60			10039	12002	14969	18056	21745	26050	30356
			50	6827	9703	12579	15243	18712	22509	26911	32080	37250
			40	9318	12218	15119	18483	22454	26963	32077	38111	44144
	Watt (W)	30	10611	14135	17659	21364	26075	31176	37002	43900	50797	
		60			12122	12153	12170	12200	12266	12050	11833	
		50	10017	10081	10145	10156	10161	10199	10114	10016	9918	
	Watt (W)	40	8056	8112	8168	8160	8151	8199	7962	7983	8003	
		30	6419	6468	6517	6510	6504	6472	6327	6274	6221	

Capacity @ 20°C Return Gas Temperature, No Sub Cooling

# YF Series

## Capacity

# R22

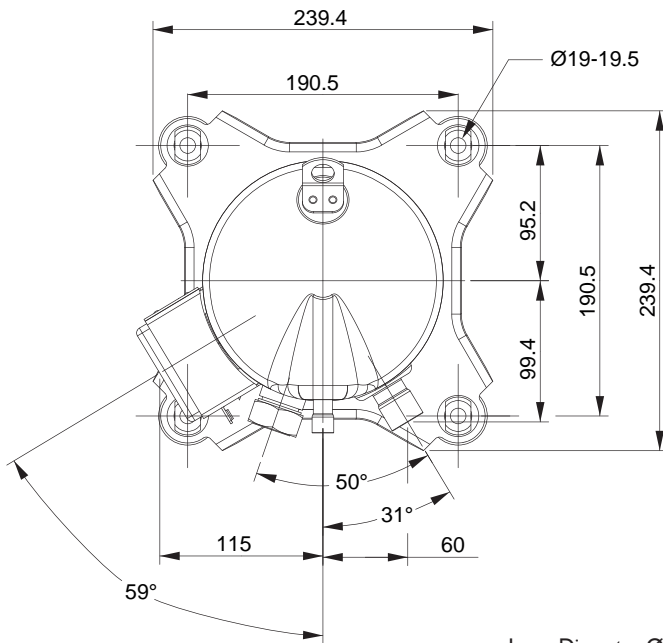
Model	C.T. (°C)	E.T.(°C)									
		-40	-35	-30	-25	-20	-15	-10	-5	0	
<b>YF13AIG-Q100</b>	Capacity (W)	50	852	1081	1332	1673	2045	2492	2988	3535	4170
		40	940	1190	1478	1839	2281	2732	3283	3883	4593
		30	1020	1282	1605	1986	2451	2954	3560	4194	4923
	Watt (W)	50	1167	1201	1232	1273	1311	1359	1403	1458	1509
		40	997	1025	1053	1090	1124	1168	1210	1261	1309
		30	851	872	897	930	969	1016	1061	1118	1177
<b>YF17AIG-Q100</b>	Capacity (W)	50	1107	1407	1735	2180	2667	3252	3900	4615	5446
		40	1223	1550	1927	2399	2976	3566	4286	5072	6000
		30	1328	1671	2093	2590	3199	3856	4649	5478	6432
	Watt (W)	50	1510	1556	1595	1649	1698	1793	1816	1887	1954
		40	1291	1327	1364	1412	1456	1512	1567	1633	1694
		30	1102	1129	1161	1204	1255	1316	1374	1448	1525
<b>YF20AIG-Q100</b>	Capacity (W)	50	1278	1621	1997	2510	3068	3738	4482	5302	6255
		40	1409	1786	2216	2758	3372	4098	4924	5824	6889
		30	1530	1923	2408	2979	3676	4431	5339	6291	7385
	Watt (W)	50	1886	1942	1993	2059	2121	2199	2271	2361	2444
		40	1613	1658	1703	1764	1820	1892	1959	2043	2121
		30	1379	1412	1453	1507	1570	1646	1720	1814	1909
<b>YF29AIG-Q100</b>	Capacity (W)	50	1914	2428	2992	3760	4595	5600	6713	7942	9370
		40	2111	2675	3320	4132	5051	6139	7376	8724	10319
		30	2292	2881	3607	4462	5506	6637	7998	9424	11062
	Watt (W)	50	2544	2619	2687	2777	2860	2965	3062	3183	3295
		40	2175	2235	2297	2378	2454	2551	2642	2754	2860
		30	1859	1904	1959	2032	2117	2220	2319	2446	2574
<b>YF35AIG-Q100</b>	Capacity (W)	50	2323	2947	3632	4564	5578	6797	8149	9640	11373
		40	2562	3247	4030	5015	6131	7452	8953	10589	12525
		30	2782	3497	4378	5416	6683	8056	9708	11439	13427
	Watt (W)	50	3010	3099	3179	3286	3384	3508	3623	3767	3899
		40	2573	2645	2718	2814	2904	3019	3126	3259	3384
		30	2199	2253	2318	2404	2504	2627	2744	2894	3046
<b>YF41AIG-Q100</b>	Capacity (W)	50	2783	3530	4350	5467	6682	8142	9761	11548	13623
		40	3069	3889	4827	6008	7344	8927	10725	12685	15004
		30	3332	4188	5244	6488	8006	9650	11629	13702	16084
	Watt (W)	50	3498	3602	3695	3819	3933	4078	4212	4378	4532
		40	2991	3074	3159	3271	3375	3509	3634	3788	3933
		30	2556	2619	2694	2795	2911	3053	3190	3364	3541

Capacity @ 20°C Return Gas Temperature, No Sub Cooling, Liquid injection

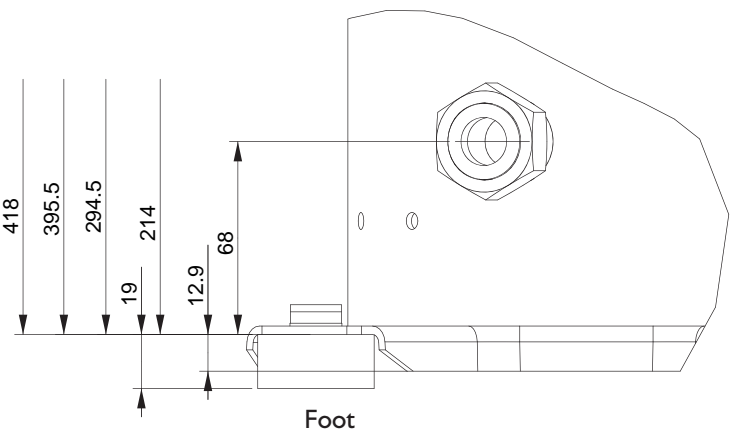
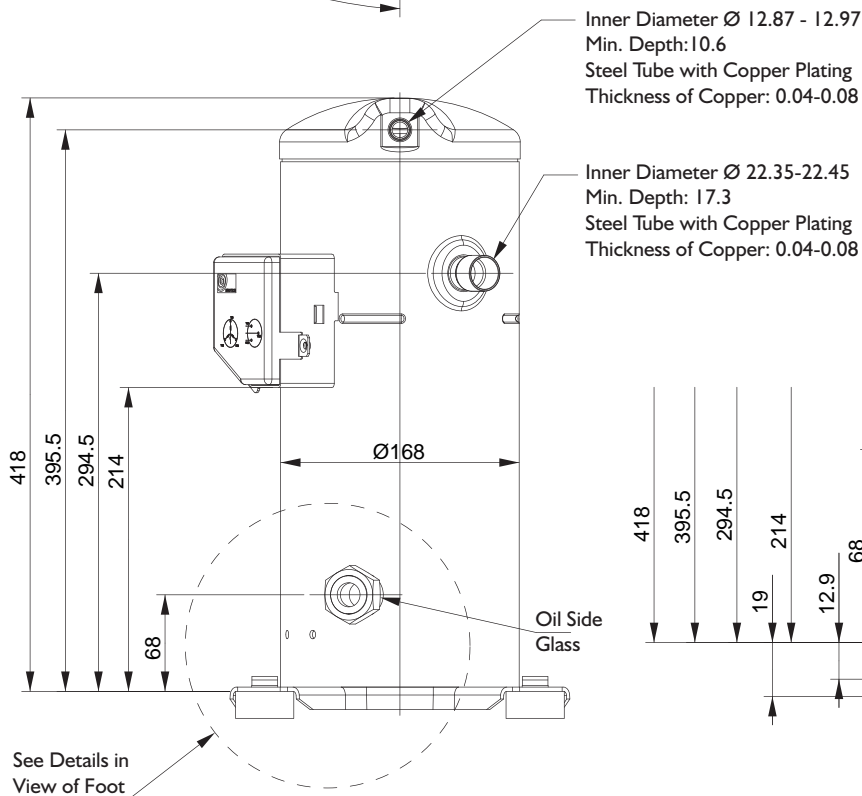
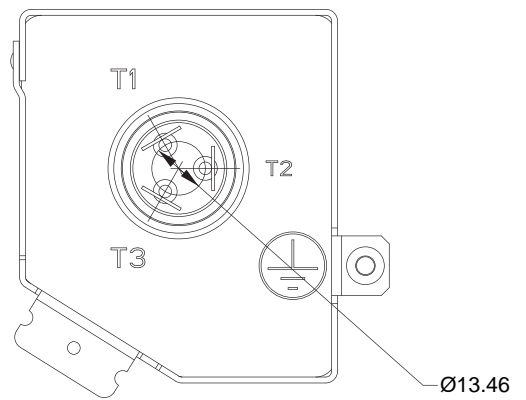


Model	C.T. (°C)	E.T.(°C)									
		-40	-35	-30	-25	-20	-15	-10	-5	0	
<b>YF13E1G-Q100</b>	Capacity (W)	50	848	1061	1328	1613	1949	2337	2762	3249	3782
		40	980	1233	1535	1891	2316	2811	3378	4026	4759
		30	1109	1416	1754	2182	2659	3189	3773	4423	5139
	Watt (W)	50	1081	1141	1199	1249	1303	1359	1415	1471	1526
		40	895	942	986	1030	1077	1123	1168	1214	1260
		30	740	777	811	851	898	949	1003	1060	1121
<b>YF17E1G-Q100</b>	Capacity (W)	50	1102	1381	1730	2102	2542	3050	3605	4242	4939
		40	1275	1606	2001	2467	3022	3669	4410	5259	6217
		30	1444	1846	2287	2846	3471	4163	4927	5777	6714
	Watt (W)	50	1399	1478	1552	1618	1688	1760	1832	1904	1976
		40	1159	1220	1277	1334	1395	1454	1513	1572	1631
		30	958	1006	1050	1102	1163	1229	1299	1373	1452
<b>YF20E1G-Q100</b>	Capacity (W)	50	1273	1601	2012	2450	2967	3564	4218	4968	5787
		40	1488	1877	2342	2890	3544	4305	5177	6175	7302
		30	1681	2154	2673	3331	4066	4880	5779	6779	7881
	Watt (W)	50	2036	2149	2256	2350	2451	2555	2658	2762	2866
		40	1691	1778	1860	1942	2030	2115	2200	2284	2369
		30	1401	1471	1533	1609	1697	1791	1892	1998	2112
<b>YF29E1G-Q100</b>	Capacity (W)	50	1918	2412	3030	3691	4470	5370	6354	7484	8717
		40	2242	2828	3528	4354	5339	6485	7799	9303	11001
		30	2532	3244	4027	5018	6125	7352	8706	10212	11872
	Watt (W)	50	2436	2572	2699	2812	2932	3056	3181	3305	3429
		40	2023	2128	2226	2323	2429	2530	2632	2733	2835
		30	1677	1759	1835	1925	2030	2143	2263	2391	2526
<b>YF35E1G-Q100</b>	Capacity (W)	50	2315	2912	3657	4454	5395	6481	7669	9032	10521
		40	2705	3414	4259	5255	6444	7826	9412	11228	13277
		30	3056	3916	4860	6056	7393	8873	10508	12325	14329
	Watt (W)	50	2883	3043	3194	3327	3470	3617	3763	3910	4057
		40	2393	2518	2633	2749	2874	2994	3114	3234	3354
		30	1984	2082	2171	2278	2402	2536	2678	2829	2989
<b>YF41E1G-Q100</b>	Capacity (W)	50	2773	3488	4381	5336	6462	7763	9187	10819	12603
		40	3241	4089	5101	6295	7719	9375	11275	13450	15904
		30	3661	4691	5821	7255	8856	10629	12587	14765	17164
	Watt (W)	50	3350	3537	3712	3868	4033	4204	4374	4545	4715
		40	2782	2926	3061	3195	3340	3480	3619	3759	3899
		30	2306	2420	2523	2647	2792	2947	3113	3288	3475

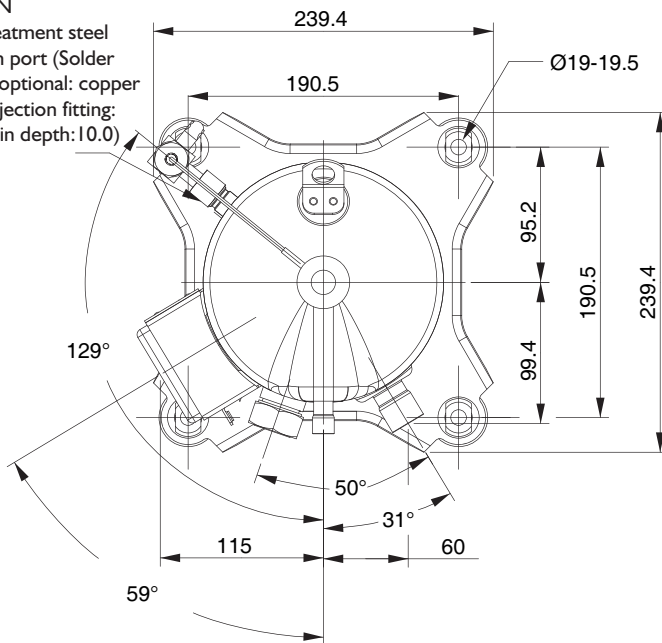
Capacity @ 20°C Return Gas Temperature, No Sub Cooling, Liquid injection



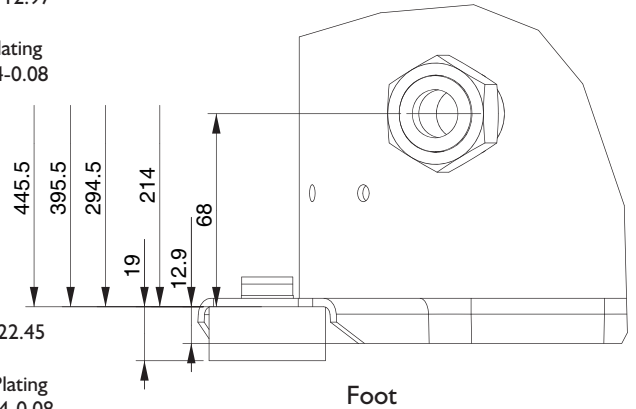
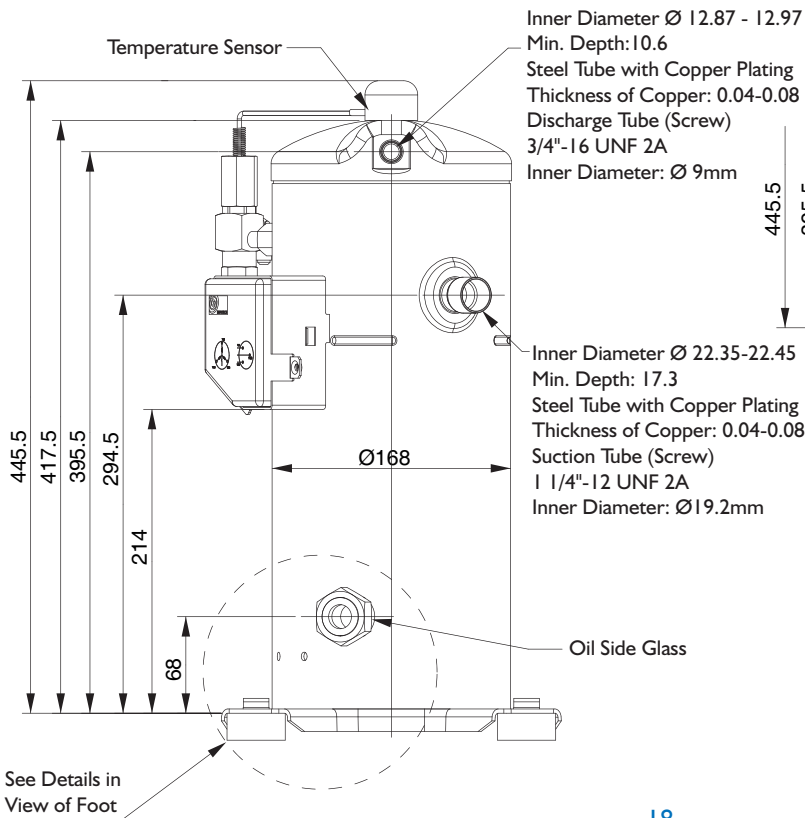
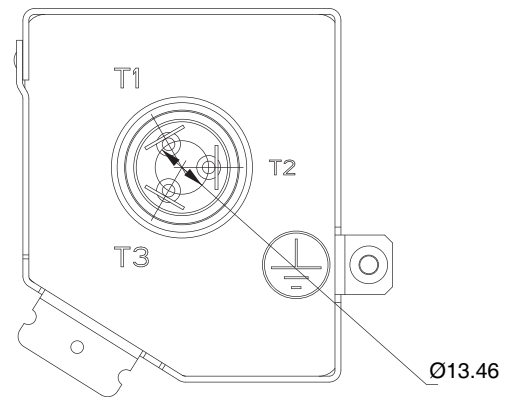
Wiring Diagram

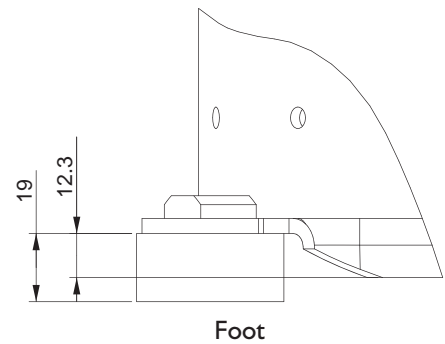
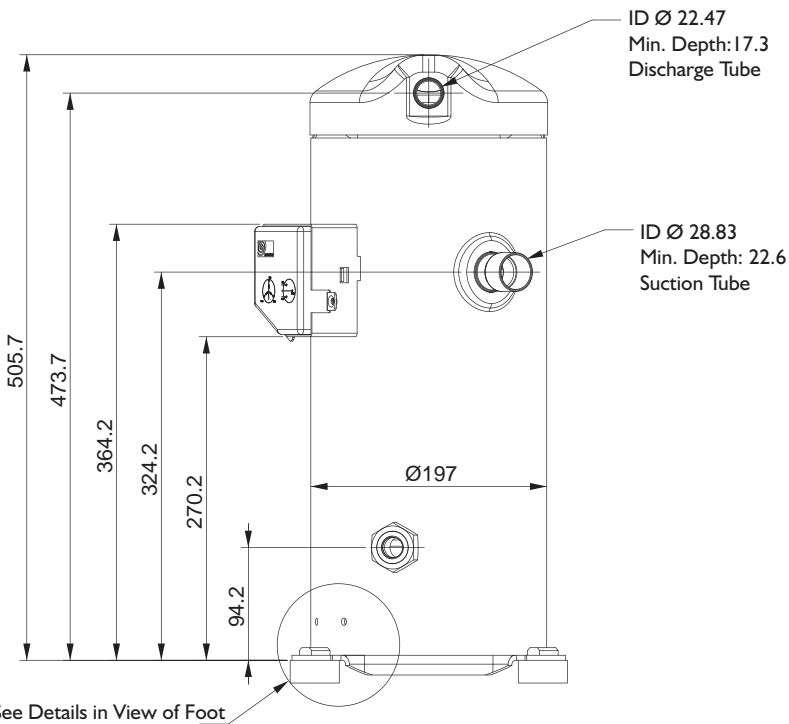
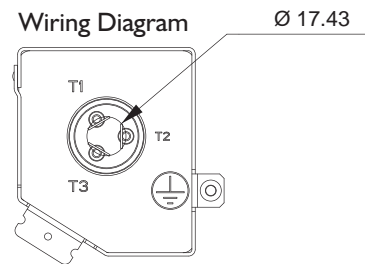
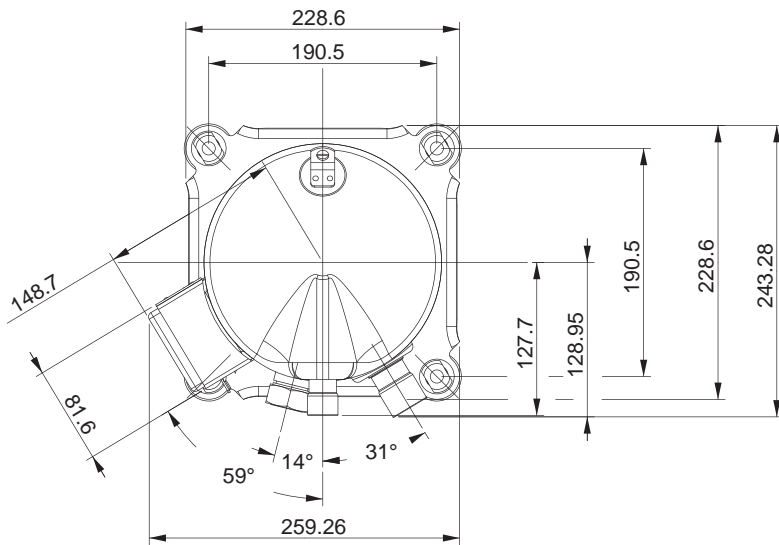


Thread Rotalock connection:  
 1 1/16" - 16 UN  
 Blackening treatment steel  
 liquid injection port (Solder  
 connection is optional: copper  
 plated steel injection fitting:  
 ID:Ø12.97; min depth:10.0)



Wiring Diagram







**Invotech Scroll Technologies**

No. 68, Dongnan Road, Changshu, Jiangsu, PRC.

TEL: +86 512 5290 5990

FAX: +86 512 5290 5996

[www.invotech.cn](http://www.invotech.cn)