

# Automatic Glassware washer



CTLW-220



CTLW-I 20

## Glassware washing Picture



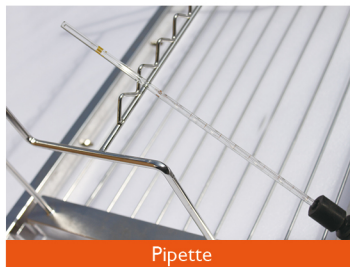
Test tube



Flask



volumetric flask



Pipette



Petri dish

Why should I use automatic glassware washer:

- 1, Avoid to contact with the body of harmful substances directly, which is easy to cause damage for user;
- 2, Artificial cleaning effect is not reliable, which is easy to effect experimental results; The automatic glassware washer can realize the standardization of cleaning articles
- 3, Washing, disinfection, drying can be done in one machine, which is to replace artificial and reduce the labor cost, simplify work procedure.

# Automatic Glassware washer

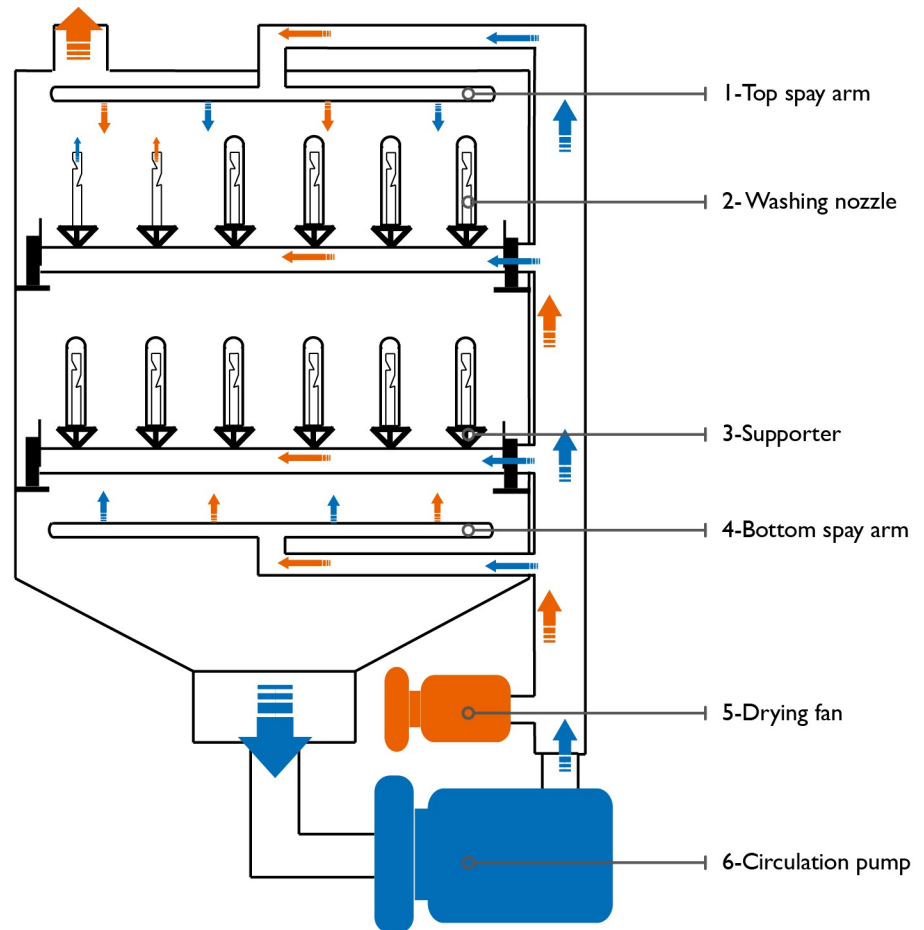
## Washing and Drying Cycle Diagram

### -The blue line

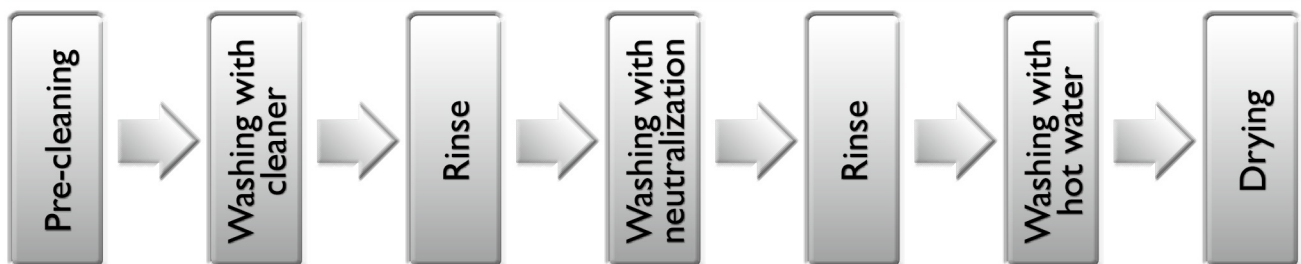
The water cycle line during washing procedure

### -The Orange line

The hot air cycle line during drying procedure



## Standard washing procedure



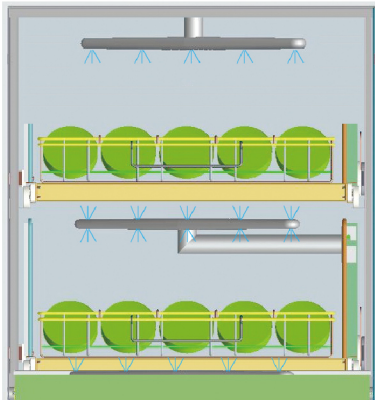
## Humanized design for washing program

Program	Application range	Time (min)
Standard Program	The general pollution glassware washing	60
Fast washing program	Light pollution glassware washing	30
User-defined program	Setting the personalized parameters as per the different pollution degree glassware	User-defined
Automatic cleaning Program	Periodic cleaning for washing cabinet and pipeline	30
Drying program	Separate dry for glassware	1-99

# Automatic Glassware washer

## Product Features

### -Perfect and efficient cleaning system



- 1, The high washing pressure (Configuration famous brand circulation pump which is high temperature resistant, corrosion resistant);
- 2, Perfect cleaning for glassware external surface (top and bottom are arranged rotary spray arm, the arms have many nozzles which is optimization arrangement to achieve cleaning all range angle);
- 3, Perfect washing for vessel inner surface (cleaning column top nozzle and cylinder fan-shaped incision design, 360 ° cleaning vessel inner surface);
- 4, Two peristaltic pumps achieve cleaner agent and neutralization agent adding automatically and accurately
- 5, the water temperature can be heated more than 93°C , reach the middle level of disinfection(EN ISO 15883).
- 6, Set the self-cleaning program, regular cleaning for washing cabinet and pipeline.



### -Convenient drying system

- 1, Independent air heater with circulating fan, improve the drying efficiency, the drying temperature can be set 50~90°C ;
- 2, Using the HEPA air filter, to ensure the air cleanliness in the drying system, avoid air pollution;
- 3, Hot air is through the nozzles of the top and bottom spray arms, the nozzles of cleaning column during drying procedure, ensure rapid drying of glassware inner and external surface.





# Automatic Glassware washer

## -Professional design for structure

- 1, the machine adopts the high quality stainless steel material (SUS304 or SUS316); the washing pipeline adopts sanitary stainless steel pipe and valve which is corrosion resistance;
- 2, The door adopts vacuum glass, sound insulation and noise reduction, which is convenient for the user to real-time observe the washing running.
- 3, Two water inlet interface design (tap water and pure water);
- 4, Drainage pipe water seal design, to prevent sewage counter-current;



## -The humanized design for control system



- 1, Human-computer interface using color LCD touch screen, reliable performance and convenient operation
- 2, the PLC control system, stable and reliable performance, no electromagnetic interference effects;
- 3, Double temperature control for the water temperature and air temperature, ensure the cleaning, disinfection and drying temperature;
- 4, Automatic fault diagnosis function, the screen display the fault information together with sound alarm.

## -Intimate safety protection

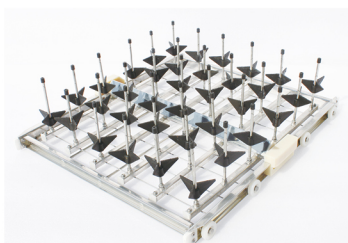
- 1, The two points locking design, the door sealing more reliable, preventing water and steam overflow;
- 2, Electronic security door lock, prevent the door accidental opening caused personal injury during cleaning and drying procedure
- 3, Equipment is with emergency switch, ensure the power can be cut off in case of emergency;
- 4, Double protection for water temperature and air temperature, power shutdown protection in case of over temperature;
- 5, Circulating pump high temperature protection, prevent the circulating pump damage in case of abnormal high temperature;
- 6, The water cycle pipeline is with mesh filter, to prevent debris into the recycle, which is to protect the internal components.



# Automatic Glassware washer

## Racks

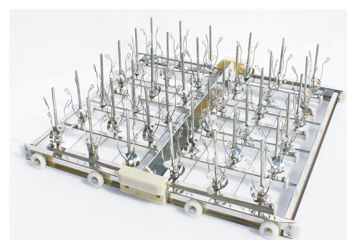
All cleaning racks can be removed completely, convenient to washing rack pipeline



Standard rack

It is suitable for cleaning of test tube, beaker, flask etc.. Adopts the triangle supporter which can adjust the height position to adapt to different height glassware.

There are three kinds of cleaning column height: 90mm, 140mm, 220mm



The flask rack

Adopt the arc supporter which can adjust the height position to adapt to different height glassware

There are three kinds of cleaning column height: 90mm, 140mm, 220mm



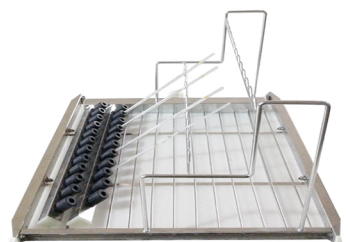
Petri dish rack

It is suitable for washing of petri dish. it can wash 90 pcs (Ø90mm) petri dish per rack



Wide-mouth bottle rack

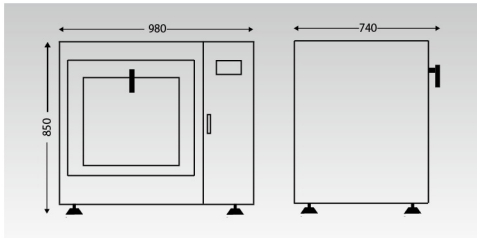
Area size can be placed: 560\*510mm;



Pipette rack

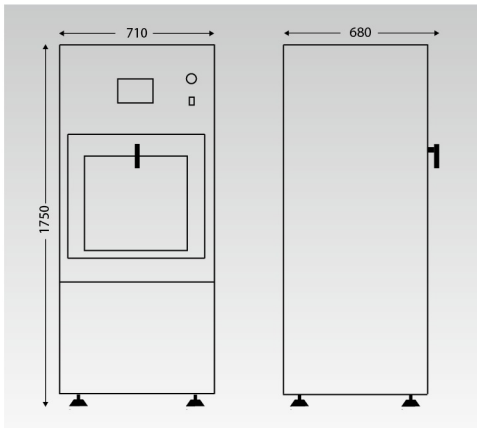
It is suitable for washing of transfer pipette, burette.

# Automatic Glassware washer



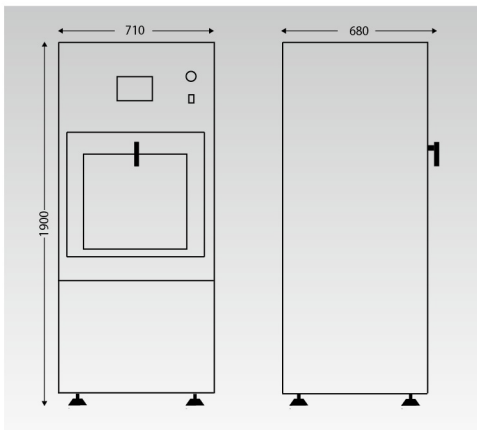
**CTLW-120**

External dimension WxDxH (mm)	Voltage	Power	Capacity	Water consumption / cycle	Noise (dba)	Inlet water pressure
980×740×850	220V/50Hz	6KW	120L	10L	≤50	0.3-0.8(Mpa)



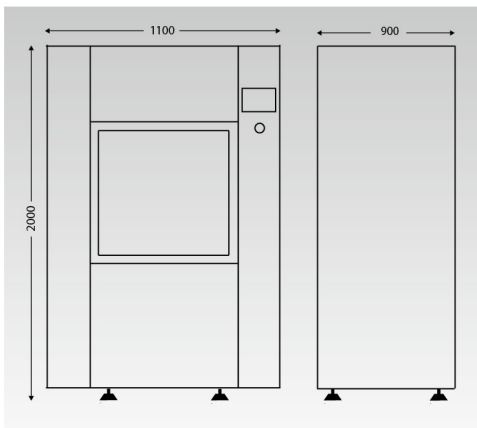
**CTLW-220**

External dimension WxDxH (mm)	Voltage	Power	Capacity	Water consumption / cycle	Noise (dba)	Inlet water pressure
710×680×1750	380V /50~60Hz	17KW	220L	15	≤55	0.3-0.8(Mpa)



**CTLW-320**

External dimension WxDxH (mm)	Voltage	Power	Capacity	Water consumption / cycle	Noise (dba)	Inlet water pressure
710×680×1900	380V /50~60Hz	19KW	320L	18	≤55	0.3-0.8(Mpa)



**CTLW-420**

External dimension WxDxH (mm)	Voltage	Power	Capacity	Water consumption / cycle	Noise (dba)	Inlet water pressure
1100×900×2000	380V /50~60Hz	22KW	420L	25	≤60	0.3-0.8(Mpa)