



SPARE PARTS EXPLODED VIEW  
STORAGE ELECTRIC WATER HEATERS

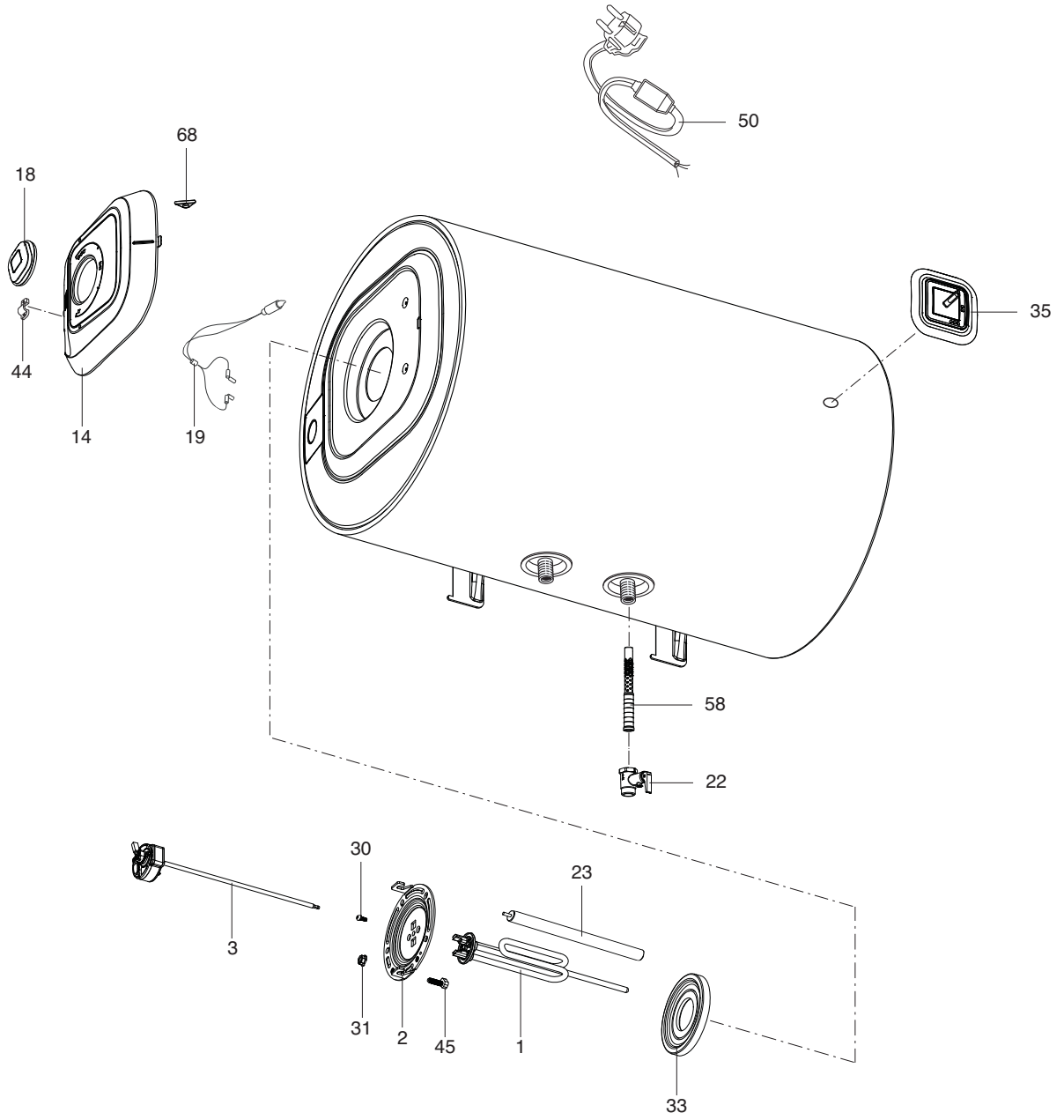
Model  
**PRO1 H**

R8218023-02 - 11/06/2018

PRO1 H

Storage Electric Water Heaters

1	3201830	PRO1 R 50 H	05-2018	-
2	3201831	PRO1 R 80 H	05-2018	-
3	3700565	PRO1 R ABS 80 H	06-2018	-
4	3201832	PRO1 R 100 H	05-2018	-
Col	Reference	Model type	Begin	End





## LIST OF THE ABBREVIATIONS

HW .....	: Hot water.
CW .....	: Cold water.
C .....	: Ceramic resistance (normal heating).
Ca .....	: Ceramic resistance (accelerated heating)
TP .....	: Immersion heater.
1F .....	: With fittings.
2F .....	: Without fittings.
3F .....	: With fittings and another outlet connection.
AMI .....	: With mixing valve.
SMI .....	: Without mixing valve.
PUISS .....	: Power of th appliance.
PN .....	: Appliance with normal pression.
LP .....	: Appliance with low pression.
PV .....	: Appliance with variable power.
PF .....	: Appliance with fixed power.

## IDENTIFICATION PLATE

### SERIAL NUMBER

**6 Characters :**  
 Year of manufacture \_\_\_\_\_ 03 09 08 \_\_\_\_\_ Manufacturing day  
 \_\_\_\_\_ Month of manufacture

**9 Characters :**  
 Year of manufacture \_\_\_\_\_ M 12 10 0606 \_\_\_\_\_ Sequential number  
 \_\_\_\_\_ Month of manufacture

**14 Characters :**  
 SI-V-0B0 45 07 0001  
 \_\_\_\_\_ Sequential number  
 \_\_\_\_\_ Year of manufacture : \_\_\_\_\_ 6 → 2004  
 \_\_\_\_\_ Month of manufacture : → 25 → January 43 → July 7 → 2005  
 \_\_\_\_\_ Product model 13 → February 29 → August 8 → 2006  
 32 → March 40 → September etc ...  
 35 → April 38 → October  
 39 → May 51 → November  
 45 → June 12 → December

**15 Characters :**  
 Year of manufacture \_\_\_\_\_ 02 11 00001 007843 \_\_\_\_\_ Code appareil  
 \_\_\_\_\_ Month of manufacture \_\_\_\_\_ Sequential number

**21 Characters :**  
 Product reference \_\_\_\_\_ 3200050 XX 08115 0000001 \_\_\_\_\_ Sequential number  
 \_\_\_\_\_ Year (08) / Manufacturing day (115)

**22 Characters :**  
 Product reference \_\_\_\_\_ 3200050 XX 070115 0000001 \_\_\_\_\_ Sequential number  
 \_\_\_\_\_ Year (07) / Month (01) / Manufacturing day (15)

The indications mentioned on the prices, commercial or technical literature and the scheme are written for your guidance and are available at a given time. The CONSTRUCTOR retains the power to modify the presentation, the form, the size, the conception or the material of the products.