



SPARE PARTS EXPLODED VIEW  
STORAGE ELECTRIC WATER HEATERS

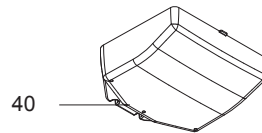
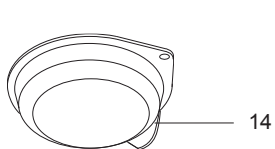
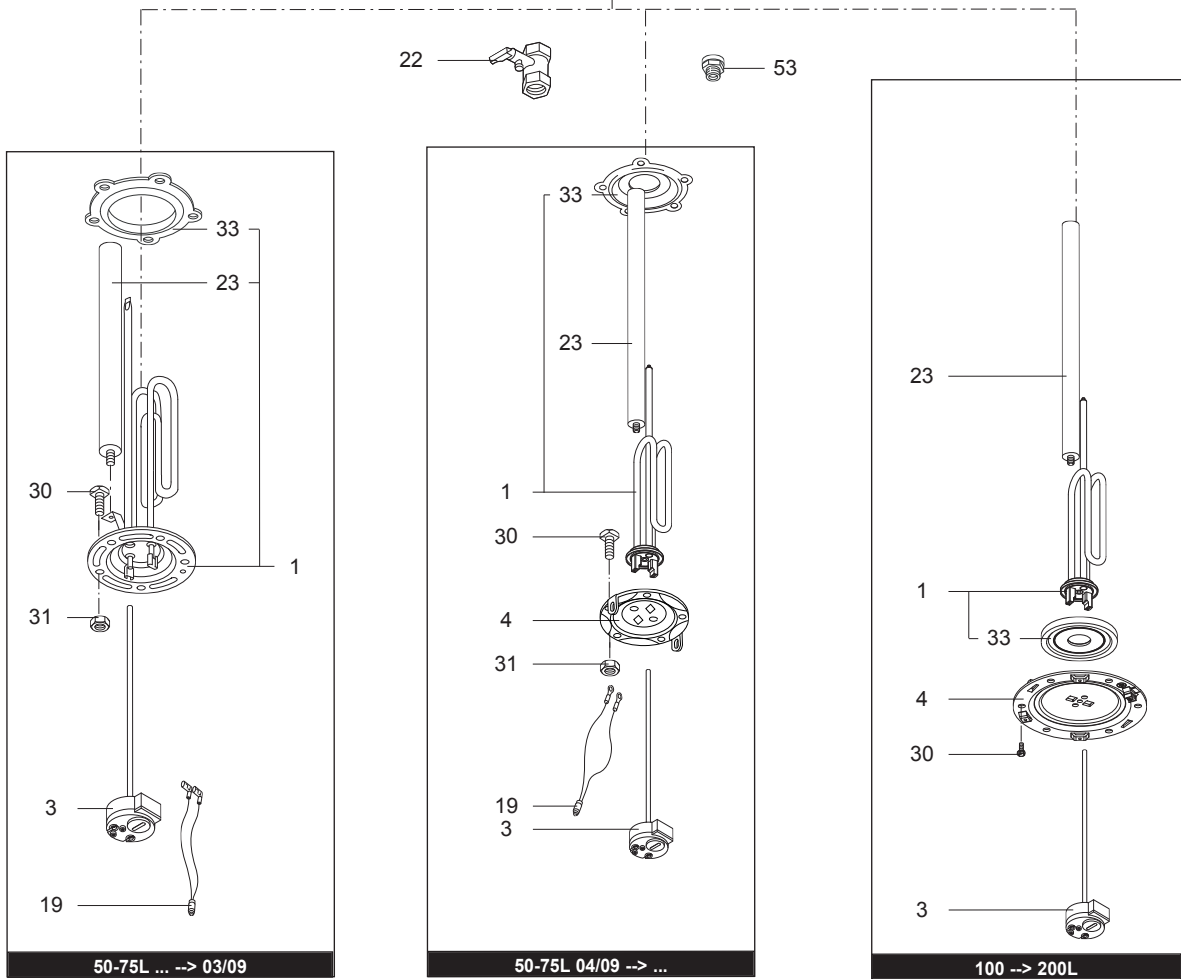
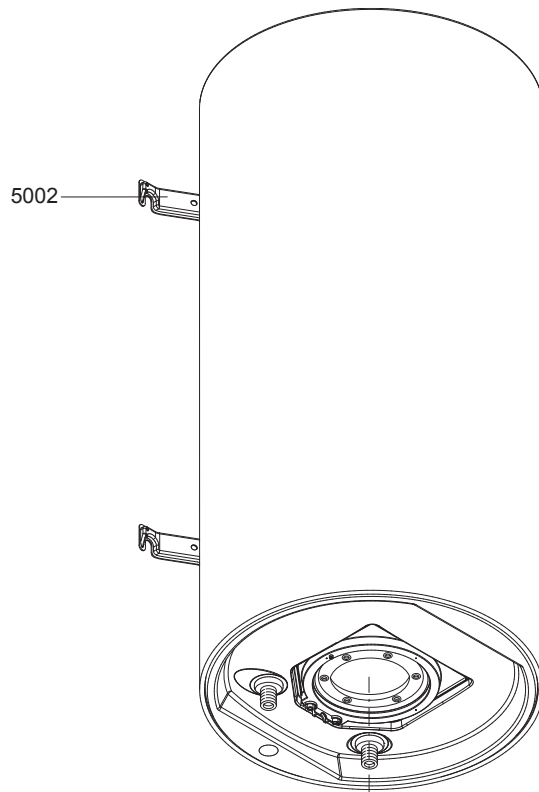
Model

**VERTICAL - THER - 04/2007** → ...

R8203393-07 - 13/02/2019

1	3010137	ARI 050 VERT 460 THER MO	01-2007	11-2015
2	3010138	ARI 075 VERT 460 THER MO	01-2007	11-2015
3	3000059	ARI 100 VERT 560 THER MO	04-2007	09-2015
3	3010204	ARI 100 VERT 505 THER MO	03-2007	06-2016
4	3000060	ARI 150 VERT 560 THER MO	01-2007	09-2015
4	3010205	ARI 150 VERT 505 THER MO	03-2007	06-2016
5	3000061	ARI 200 VERT 560 THER MO	04-2007	09-2015
5	3010206	ARI 200 VERT 505 THER MO	03-2007	06-2016
6	3200832	ARI 050 VERT 470 THER MO EU	08-2015	-
7	3200833	ARI 075 VERT 470 THER MO EU	08-2015	-
8	3000373	ARI 100 VERT 530 THER MO EU	08-2015	-
8	3000325	ARI 100 VERT 560 THER MO EU	09-2015	-
8	3000569	ARI 100 VERT 505 THER MO EU	04-2016	-
9	3000374	ARI 150 VERT 530 THER MO EU (K)	09-2015	-
9	3000326	ARI 150 VERT 560 THER MO EU	09-2015	-
9	3000570	ARI 150 VERT 505 THER MO EU (K)	04-2016	-
9	000003000690	ARI 150 VERT 560 THER MO-UAE	-	-
9	3010909	ARI 150 VERT 560 THER MO-UAE	-	-
10	3000375	ARI 200 VERT 530 THER MO EU	09-2015	-
10	3000327	ARI 200 VERT 560 THER MO EU	09-2015	-
10	3000318	ARI 200 VERT 530 THER MO SF	09-2015	-
10	3000566	ARI 200 VERT 530 THER MO VS EU	09-2015	-
10	3000571	ARI 200 VERT 505 THER MO EU (K)	04-2016	-
10	3000651	STO 200 VERT 530 THER MO EU	03-2017	-
10	3000656	ARI 200 VERT 560 THER MO K EU	02-2018	-
10	3000657	ARI 200 VERT 530 THER MO K EU	02-2018	-
10	000003000691	ARI 200 VERT 560 THER MO-UAE	-	-
10	3010910	ARI 200 VERT 560 THER MO-UAE	-	-

Col Reference Model type Begin End



☉⇒	Description	Manf. Pt. N	Type	<div style="display: flex; justify-content: space-between; font-size: small;"> <span>50 L</span><span>75 L</span><span>100 L</span><span>150 L</span><span>200 L</span><span>50 L - EU</span><span>75 L - EU</span><span>100 L - EU</span><span>150 L - EU - UAE</span><span>200 L - EU - UAE</span> </div>																		<div style="border: 1px solid black; padding: 2px; display: inline-block;">31</div>	
				1	2	3	4	5	6	7	8	9	10	11	12	13	14	15	16	17	18	From	to
0001	HEATING ELEMENT 1200W 220-240V	65111787		•	•					•	•									02/13			
	HEATING ELEMENT 1200W 230V	61401776				•					•										03/09		
	HEATING ELEMENT 1200W 230V	816096		•	•															04/09	01/13		
	HEATING ELEMENT 1200W 230V	816702		•	•																		
	HEATING ELEMENT 1800W 230V	60000688					•					•											
	HEATING ELEMENT 2200W 230V	60000689						•										•					
0003	THERMOSTAT	691219		•	•																03/09		
	THERMOSTAT	691219				•	•	•				•	•	•									
	THERMOSTAT L:300	691216		•	•						•	•								04/09			
0004	FLANGE (5 HOLES)	65111789		•	•						•	•								02/13			
	FLANGE D.75	570407		•	•															04/09	01/13		
	MATING FLANGE	60000686				•	•	•				•	•	•									
0014	COVER + RED SIGNAL	65108721-01		•																02/08			
	PLASTIC COVER	60002276		•																	01/08		
	PLASTIC COVER	60002276			•	•	•	•															
	PLASTIC COVER	60002569									•	•											
0015	CABLE BUSHING	65113517		•	•	•	•	•			•	•	•	•	•					11/13			
	WIRE PIN BRACKET	926124		•	•	•	•	•													10/13		
0019	SIGNAL LAMP	60000973		•																02/08	03/09		
	SIGNAL LAMP	993025		•																04/09	10/13		
	SIGNAL LAMP	993186		•																11/13			
0022	SAFETY VALVE (3/4» 6,5 BAR)	60001310		•	•	•	•	•			•	•	•	•	•								
0023	ANODE D:21,3 L:390 M5-M8	993312-01		•	•																03/09		
	ANODE D:21,3 L:430 M5-M8	61402252-01						•	•														
	ANODE D:25,5 L:230 M5-M8	993014-01				•						•	•										
	ANODE D:25,5 L:230 M5-M8	993014-01		•	•						•	•								04/09			
	ANODE D:25,5 L:350 M5-M8	60001570																	•				
0030	SCREW M6X20	65151225		•	•						•	•								02/13			
	SCREW M8X14 (6 PCES)	60000681				•	•	•				•	•	•									
	SCREW M8X20	918064		•	•																01/13		
0031	LOCK NUT M6	994140		•	•						•	•								02/13			
	NUT M8	918004		•	•																01/13		
0033	FLANGE GASKET	65111788		•	•						•	•								02/13			
	FLANGE GASKET D.75	570393		•	•															04/09	01/13		
	FLANGE GASKET WITH 5 HOLES	924001		•	•																03/09		
	FLANGE GASKET Ø 105	60000687				•	•	•				•	•	•									
0040	PLASTIC COVER	60000705				•	•	•															
	PLASTIC COVER	60002570										•	•	•									
0053	DIELECTRIC JOINT 3/4Z	926195																	•				
<b>5000</b>	<b>ACCESSORIES</b>																						
5002	WALL FIXING BRACKET D:470-505-560-570	912006		•	•	•	•	•			•	•	•	•	•								
	WALL FIXING BRACKET D:530	60002292											•	•	•								

VERTICAL - THER - 04/2007 --> ...

Storage Electric Water Heaters

## LIST OF THE ABBREVIATIONS

HW .....	: Hot water.
CW .....	: Cold water.
C .....	: Ceramic resistance (normal heating).
Ca .....	: Ceramic resistance (accelerated heating)
TP .....	: Immersion heater.
1F .....	: With fittings.
2F .....	: Without fittings.
3F .....	: With fittings and another outlet connection.
AMI .....	: With mixing valve.
SMI .....	: Without mixing valve.
PUISS .....	: Power of th appliance.
PN .....	: Appliance with normal pression.
LP .....	: Appliance with low pression.
PV .....	: Appliance with variable power.
PF .....	: Appliance with fixed power.

## IDENTIFICATION PLATE

### SERIAL NUMBER

**9 Characters :** 07 91 00301 (from 01/77 to 12/92)

Month of manufacture 07 91 Sequential number 00301  
Year of manufacture 07 91

**10 Characters :** 95 01 065004 (from 01/93 to 06/95)

Year of manufacture 95 01 Sequential number 065004  
Month of manufacture 95 01

**OU**

**10 Characters :** 01 95 065004 (from 07/95)

Month of manufacture 01 95 Sequential number 065004  
Year of manufacture 01 95

**12 Characters :** 924 2 3 134 0115

Product reference 924 2 3 Sequential number 134 0115  
Year of manufacture 924 2 3 Manufacturing day 134 0115

**15 ou 16 Characters :** (0)03 070 0001 893077 (from 01/97 to 01/05)

Year of manufacture (0)03 070 Product reference 893077  
Day of manufacture (0)03 070 Sequential number 0001 893077

**OU**

**16 Characters :** 05 070 0001 0000000 (from 02/05)

Year of manufacture 05 070 Product reference 0001 0000000  
Day of manufacture 05 070 Sequential number 0001 0000000

**17 Characters :** 07 070 00315 3070107

Year of manufacture 07 070 Product reference 00315 3070107  
Sequential number 00315 3070107  
Manufacturing day (70) 00315 3070107

**21 Characters :** 3000115 XX 08115 0000001

Product reference 3000115 XX Sequential number 08115 0000001  
Year (08) / Manufacturing day (115) 08115 0000001

**22 Characters :** 3000115 XX 070416 0000001

Product reference 3000115 XX Sequential number 070416 0000001  
Year (07) / Month (04) / Manufacturing day (16) 070416 0000001