



SPARE PARTS EXPLODED VIEW  
STORAGE ELECTRIC WATER HEATERS

Model

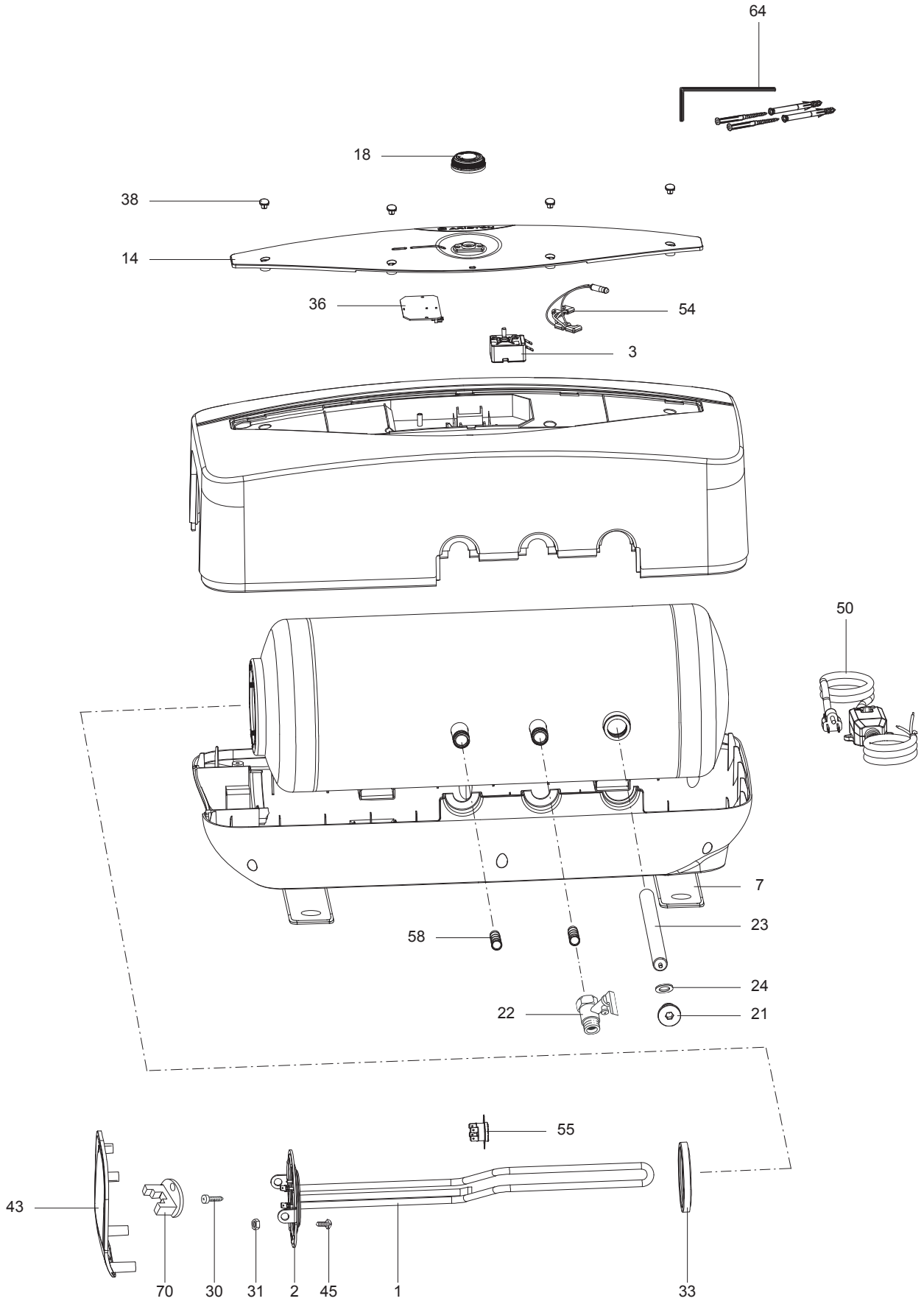
**ABS SL 20**

R8217240-01 - 24/08/2015

ABS SL 20

Storage Electric Water Heaters

1	3180322	ABS SL 20	07-2015	-
Col	Reference	Model type	Begin	End



① →	Description	Manf. Pt. N	Type	ABS SL 20																																																			
				1	2	3	4	5	6	7	8	9	10	11	12	13	14	15	16	17	18	From	to																																
0001	НАГРЕВАТЕЛЬНЫЙ ЭЛЕМЕНТ 2500W 230V	65190509		●																																																			
0002	ФЛАНЕЦ НА 5 БОЛТАХ	65190483		●																																																			
0003	ТЕРМОСТАТ	65150526		●																																																			
0007	КРОНШТЕЙН	65190515		●																																																			
0014	КРЫШКА ПЛАСТИКОВАЯ	65190311		●																																																			
0018	РУЧКА РЕГУЛИРОВКИ	65190510		●																																																			
0021	ЗАГЛУШКА МАГНИЕВОГО АНОДА	65190161		●																																																			
0022	ПРЕДОХРАНИТЕЛЬНЫЙ КЛАПАН (1/2" 7,5 БАР)	504342		●																																																			
0023	МАГНИЕВЫЙ АНОД D:21,3 L:110 M5-M8	65103768-01		●																																																			
0024	ПРОКЛАДКА МАГНИЕВОГО АНОДА	65190160		●																																																			
0030	ВИНТ M6X12	993000		●																																																			
0031	ГАЙКА M6	65151292		●																																																			
0033	ПРОКЛАДКА ФЛАНЦА НА 5 БОЛТАХ	65190484		●																																																			
0036	ПЛАТА ДИСПЛЕЯ	65190538		●																																																			
0038	ЗАГЛУШКА	65190313		●																																																			
0043	КРЫШКА ПЛАСТИКОВАЯ ЛЕВАЯ	65190315		●																																																			
0045	ВИНТ M6X20	65151225		●																																																			
0050	КАБЕЛЬ ПИТАНИЯ С УЗО	65190539		●																																																			
0054	ИНДИКАТОРНАЯ ЛАМПА	65190312		●																																																			
0055	ТЕРМОСТАТ ПЕРЕГРЕВА	65150531		●																																																			
0058	РАССЕКТЕЛЬ ВОДЫ (1/2" H=44)	65190319		●																																																			
0064	ПРИНАДЛЕЖНОСТИ ДЛЯ МОНТАЖА	65190158		●																																																			
0070	ИЗОЛЯТОР КЛЕММ ТЭНА (RED)	65190525		●																																																			

## LIST OF THE ABBREVIATIONS

HW .....	: Hot water.
CW .....	: Cold water.
C .....	: Ceramic resistance (normal heating).
Ca .....	: Ceramic resistance (accelerated heating)
TP .....	: Immersion heater.
1F .....	: With fittings.
2F .....	: Without fittings.
3F .....	: With fittings and another outlet connection.
AMI .....	: With mixing valve.
SMI .....	: Without mixing valve.
PUISS .....	: Power of th appliance.
PN .....	: Appliance with normal pression.
LP .....	: Appliance with low pression.
PV .....	: Appliance with variable power.
PF .....	: Appliance with fixed power.

## IDENTIFICATION PLATE

### SERIAL NUMBER

**6 Characters :**  
 Year of manufacture 03 09 08 Manufacturing day  
 Month of manufacture

**9 Characters :**  
 Year of manufacture M 12 10 0606 Sequential number  
 Month of manufacture

**14 Characters :**  
 SI-V-0B0 45 07 0001  
 Sequential number  
 Year of manufacture : 6 → 2004  
 Month of manufacture : → 25 → January 43 → July 7 → 2005  
 13 → February 29 → August 8 → 2006  
 32 → March 40 → September etc ...  
 35 → April 38 → October  
 39 → May 51 → November  
 45 → June 12 → December  
 Product model

**15 Characters :**  
 Year of manufacture 02 11 00001 007843 Code appareil  
 Month of manufacture Sequential number

**21 Characters :**  
 3200050 XX 08115 0000001  
 Product reference Sequential number  
 Year (08) / Manufacturing day (115)

**22 Characters :**  
 3200050 XX 070115 0000001  
 Product reference Sequential number  
 Year (07) / Month (01) / Manufacturing day (15)

The indications mentioned on the prices, commercial or technical literature and the scheme are written for your guidance and are available at a given time. The CONSTRUCTOR retains the power to modify the presentation, the form, the size, the conception or the material of the products.