

ZK-D4330

Very High Performance 33 Zones
Walk Through Metal Detector



Features

- 33 detection zones
- 7" LCD HD display interface
- Remote control
- Simple installation and use
- Excellent anti-interference ability and stability
- Each zone has 300 adjustable sensitivity level
- Supports various language interface customization
- Higher accuracy and verification speed

Applications



Advanced Structure

- ZK-D4330 adapts beam structure, modular design, and hidden wiring design. This design not only is more convenient for installation, maintenance and logistics, but also enables higher security level.
- Advanced robust and washable panels.
- High durability, Anti-wearing and weather-proof structure.



- A stainless steel metal bracket with adjustable viewing angles provides better viewing angle and avoids light reflection. In addition, the brightness of the back-light can be adjusted by the program to make the interface clearer.



◀ Metal bracket

- It adapts 15V low voltage power to protect the human body. The switch is equipped with an indicator light of power supply status. In addition, we also provide 4 and 8 hour backup optional batteries.
- A signal cable connector is delivered with the device. You can connect the signal cable connector to implement linkage between the turnstile and the walk through metal detector.



◀ Power supply and linkage interface

Optional Items

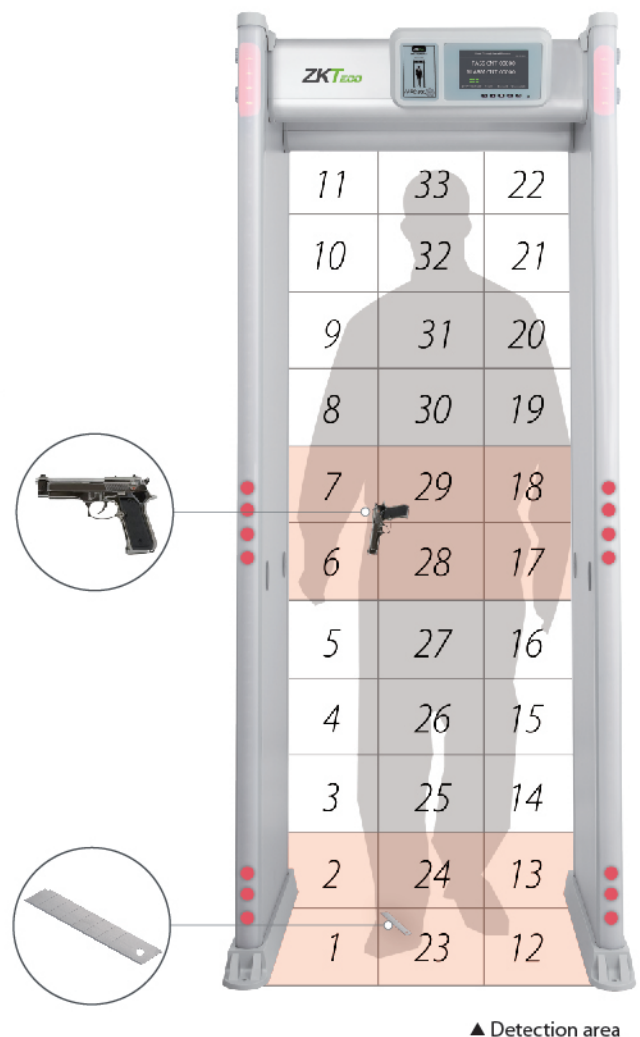
- Transparent rainproof canopy and Universal wheel is optional, the rainproof canopy can keep the device away from rain and dust, and the Universal wheel makes the equipment move more easily. You can also customize WIFI networking.



◀ Universal wheel

Detection Area

- Supports multiple detection zone modes, including the modes of a single detection zone, 6 detection zones, 11 detection zones, and 33 detection zones.
- 0-300 adjustable sensitivity levels of Zone and overall, 0-255 adjustable sensitivity levels of Anti-shock.
- From the shoe level to the crossbar, it accurately detects multiple metal objects simultaneously.
- Both sides of the LED indicator can be clearly seated in the actual metal position. And depending on the size and shape of the metal, different alarm intensities are displayed on the control panel.
- Accurate detection of weapons and contraband, while filtering watches, coins, belts, buttons and other harmless items.
- Harmless to human body, heart pacemaker, pregnant women, magnetic floppy disk, recording tapes etc.



Main Interface

- 1 Precision passenger counting and alarm counting
- 2 Alarm intensity indicator
- 3 Real-time display
- 4 Detection zone setup
- 5 Channel setting



Menu

Sensitivity:

0-300 adjustable sensitivity levels of Zone and overall, 0-255 adjustable sensitivity levels of Anti-shock.

Alarm:

0-9s Audio alarm duration setting, 0-9S LED alarm delay, 0-20 Alarm volume, 16 Alarm tones.

Location:

30 Application spots quickly setup.

Language:

Standard Chinese, English, and other languages can be customized.

Time:

Manual correction time.

Password:

Enter the old password to set the new password.

Zone:

Single zone, 6 zones, 11 zones, and 33 zones to setup.

Program Setting

Sensitivity

Alarm
Location
Language
Time
Password

Zone

Diagnosis
Safety grade
System
Display
Records

Diagnosis:

Fault fast detection, easier to find faults and facilitate maintenance.

Safety grade:

High, medium, low, three security level fast Settings.

System:

Set working channel, Detect speed and power condition.

Display:

Set screen back-light brightness.

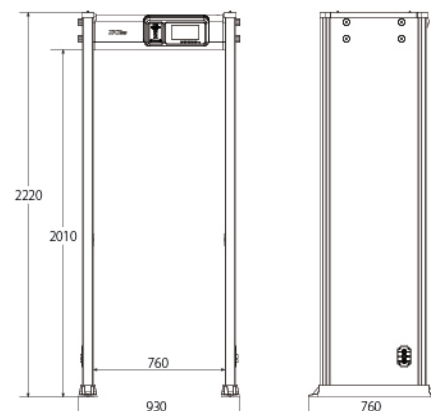
Records:

The number of hours of security checks for the equipment is recorded.

Specification

Input voltage	100-240 V, 50/60 Hz
Working temperature	-20 °C ~ 50 °C
External Dimensions (mm)	2220 (H) x 930(W) x 760(D)
Channel Dimensions (mm)	2010 (H) x 760(W) x 760 (D)
Package Dimensions (mm)	2300 (H) x 335(W) x 800 (D)
Gross weight	70 kg

Dimensions



More details

ZKTECO CO.,LTD.
www.zkteco.com
E-mail: sales@zkteco.com

© Copyright 2017. ZKTECO CO., LTD. ZKTECO Logo is a registered trademark of ZKTECO CO., LTD. or a related company. All other products and company names mentioned are used for identification purposes only and may be the trademarks of their respective owners. All specifications are subject to change without notice. All rights reserved.

CE FC IP65