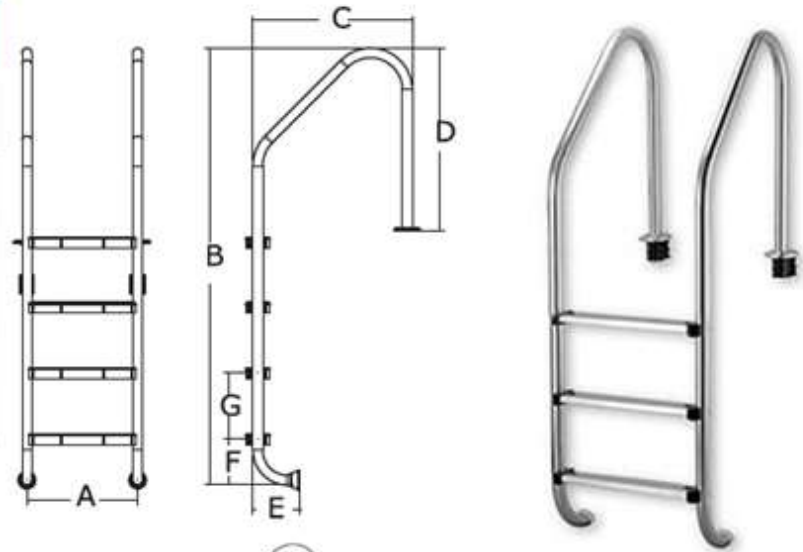


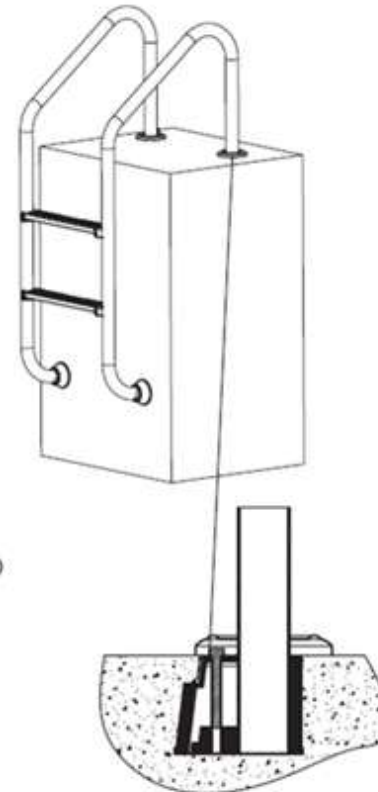
NSL SERIES LADDER

Code (AISI-304)	Code (AISI-316)	Model	A mm	B mm	C mm	D mm	E mm	F mm	G mm
88072601	88072606	NSL215-S	493	1320	686	788	190	200	250
88072602	88072607	NSL315-S	493	1570	686	788	190	200	250
88072603	88072608	NSL415-S	493	1820	686	788	190	200	250
88072604	88072609	NSL515-S	493	2070	686	788	190	200	250
88072613	88072616	NSL815-S	493	2830	692	699	190	200	250

Handrails in polished stainless steel 304 or 316 (Φ 42mm) tube. Step available in stainless steel and plastic. Complete with anchoring fixtures or fange fixtures.



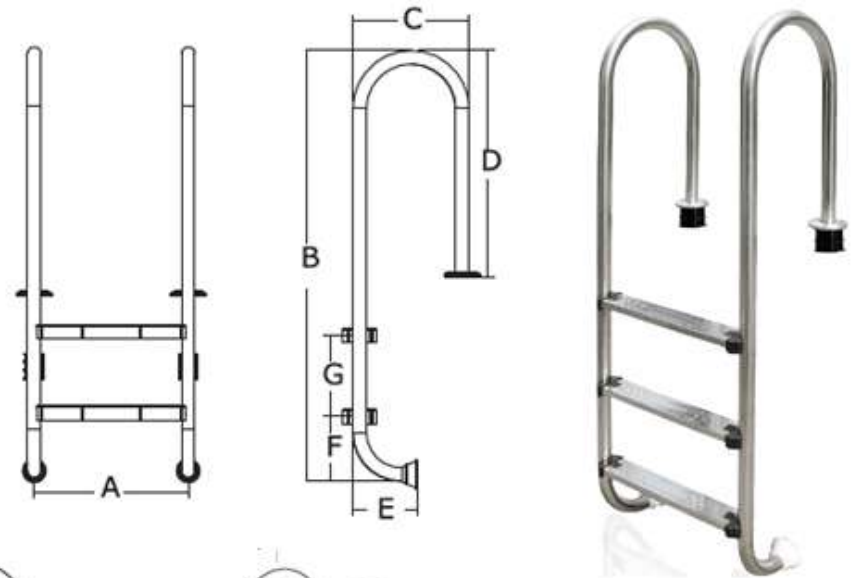
Key No.	Part No.(#304)	Part No.(#316)	Product Description	Qty
1	03016069	03016188	NSL215 Ladders Left Hand-Side	1
	03016070	03016189	NSL315 Ladders Left Hand-Side	1
	03016071	03016190	NSL415 Ladders Left Hand-Side	1
	03016072	03016191	NSL515 Ladders Left Hand-Side	1
2	03016073	03016192	NSL215 Ladders Right Hand-Side	1
	03016074	03016193	NSL315 Ladders Right Hand-Side	1
	03016075	03016194	NSL415 Ladders Right Hand-Side	1
	03016076	03016195	NSL515 Ladders Right Hand-Side	1
3	89070108	89070107	Stainless Steel Step (Plastic Anti-slip Version)	1
3-1	02311009	02311009	Plastic Anti-Slip	2
3-2	01111020	01111020	Plastic Fixture	2
4	89070102	89070105	Stainless Steel Step	1
4-1	01112009	01112009	Plastic Flap	2
4-2	01111020	01111020	Plastic Fixture	2
5	01051173	01051173	Plastic Step	1
6	89070103	89070106	M8*35 Screw With Washer for Step	2
7	89070104	89070104	Ball Joint	2
8	03016046	03016046	Flange Cover	2
9	89070101	89070101	Anchor Type (Concrete Pool)	2



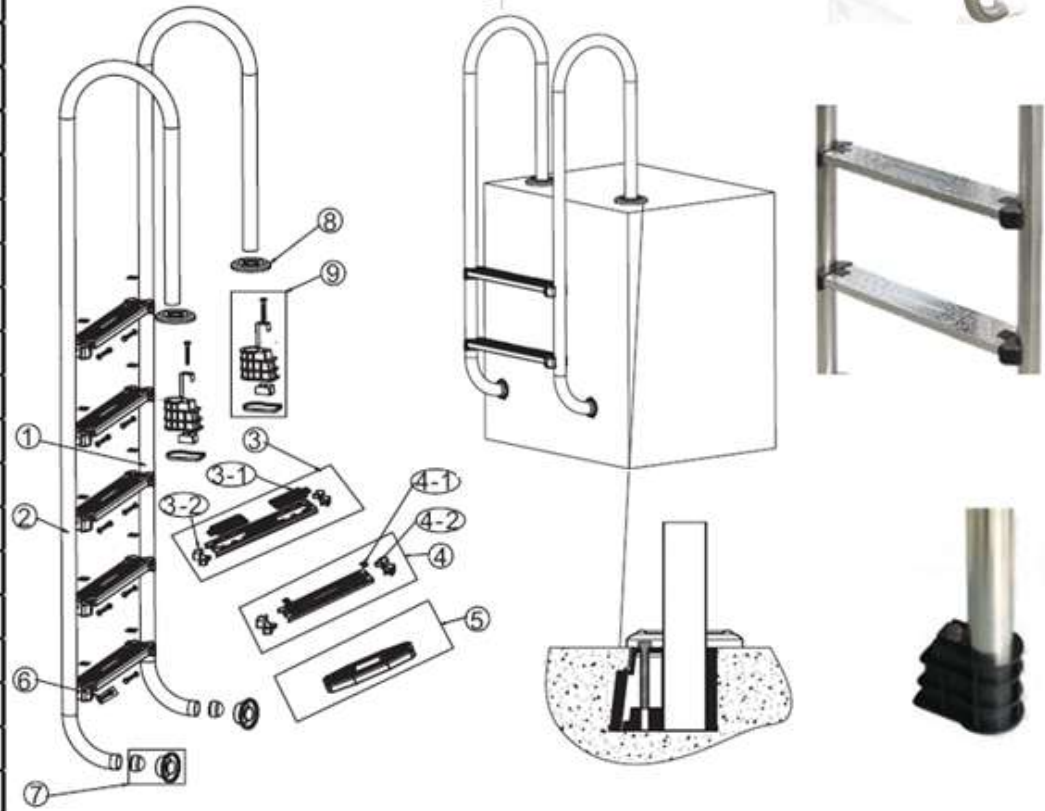
NMU SERIES LADDER

Code (AISI-304)	Code (AISI-316)	Model	A mm	B mm	C mm	D mm	E mm	F mm	G mm
88072801	88072806	NMU215-S	493	1330	360	700	190	200	250
88072802	88072807	NMU315-S	493	1580	360	700	190	200	250
88072803	88072808	NMU415-S	493	1830	360	700	190	200	250
88072804	88072809	NMU515-S	493	2080	360	700	190	200	250

Handrails in polished stainless steel 304 or 316 (Φ 42mm) tube. Step available in stainless steel and plastic. Complete with anchoring fixtures or fange fixtures.



Key No.	Part No.(#304)	Part No.(#316)	Product Description	Qty
1	03016085	03016172	NMU215 Ladder Left Hand-Side	1
	03016086	03016173	NMU315 Ladder Left Hand-Side	1
	03016087	03016174	NMU415 Ladder Left Hand-Side	1
	03016088	03016175	NMU515 Ladder Left Hand-Side	1
2	03016089	03016176	NMU215 Ladder Right Hand-Side	1
	03016090	03016177	NMU315 Ladder Right Hand-Side	1
	03016091	03016178	NMU415 Ladder Right Hand-Side	1
	03016092	03016179	NMU515 Ladder Right Hand-Side	1
3	89070108	89070107	Stainless Steel Step (Plastic Anti-slip Version)	1
3-1	02311009	02311009	Plastic Anti-Slip	2
3-2	01111020	01111020	Plastic Fixture	2
4	89070102	89070105	Stainless Steel Step	1
4-1	01112009	01112009	Plastic Flap	2
4-2	01111020	01111020	Plastic Fixture	2
5	01051173	01051173	Plastic Step	1
6	89070103	89070106	M8*35 Screw With Washer for Step	2
7	89070104	89070104	Ball Joint	2
8	03016046	03016046	Flange Cover	2
9	89070101	89070101	Anchor Type (Concrete Pool)	2

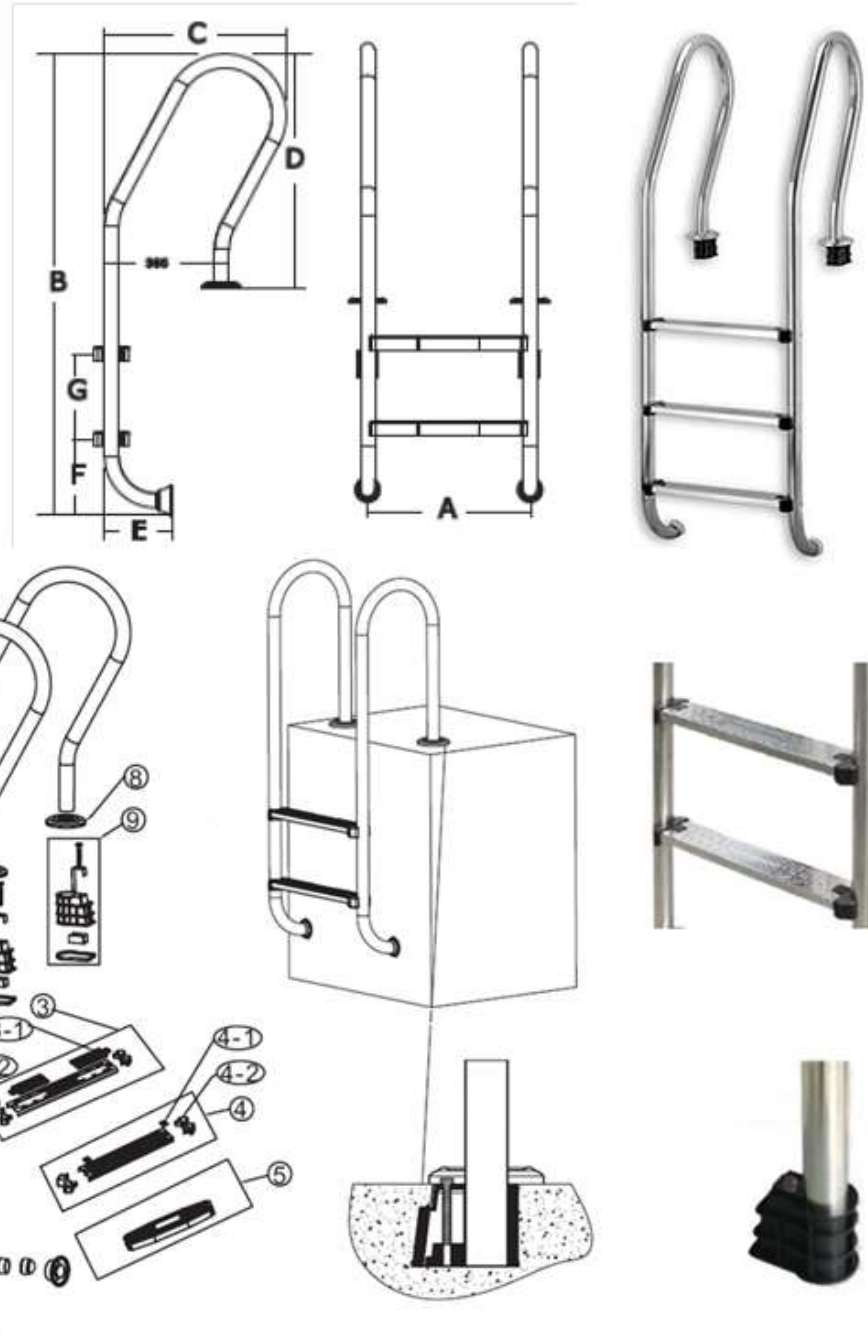


NSF SERIES LADDER

Code (AISI-304)	Code (AISI-316)	Model	A mm	B mm	C mm	D mm	E mm	F mm	G mm
88072401	88072406	NSF215-S	493	1330	533	709	190	200	250
88072402	88072407	NSF315-S	493	1580	533	709	190	200	250
88072403	88072408	NSF415-S	493	1830	533	709	190	200	250
88072404	88072409	NSF515-S	493	2080	533	709	190	200	250

Handrails in polished stainless steel 304 or 316 (Φ 42mm) tube. Step available in stainless steel and plastic. Complete with anchoring fixtures or fange fixtures.

KeyNo.	Part No.(#304)	Part No.(#316)	Product Description	Qty
1	03016077	03016180	NSF215 Ladders Left Hand-Side	1
	03016078	03016181	NSF315 Ladders Left Hand-Side	1
	03016079	03016182	NSF415 Ladders Left Hand-Side	1
	03016080	03016183	NSF515 Ladders Left Hand-Side	1
2	03016081	03016184	NSF215 Ladders Right Hand-Side	1
	03016082	03016185	NSF315 Ladders Right Hand-Side	1
	03016083	03016186	NSF415 Ladders Right Hand-Side	1
	03016084	03016187	NSF515 Ladders Right Hand-Side	1
3	89070108	89070107	Stainless Steel Step (Plastic Anti-slip Version)	1
3-1	02311009	02311009	Plastic Anti-Slip	2
3-2	01111020	01111020	Plastic Fixture	2
4	89070102	89070105	Stainless Steel Step	1
4-1	01112009	01112009	Plastic Flap	2
4-2	01111020	01111020	Plastic Fixture	2
5	01051173	01051173	Plastic Step	1
6	89070103	89070106	M8*35 Screw With Washer for Step	2
7	89070104	89070104	Ball Joint	2
8	03016046	03016046	Flange Cover	2
9	89070101	89070101	Anchor Type (Concrete Pool)	2



HANDRAIL COMPONENTS



End Cap

Polished Stainless Steel AISI-316.
For joining $\Phi 42$ mm pipe.

Code

With AISI-316 03016226



Curved Connector

Polished Stainless Steel AISI-316.
For joining $\Phi 42$ mm pipe.

Code

With AISI-316 03016224



Straight connector

Polished Stainless Steel AISI-316.
For joining $\Phi 42$ mm pipe.

Code

With AISI-316 03016222



Straight handrails

Polished Stainless Steel AISI-316. Handrail length in 1m

Code

With AISI-316 03016220



Straight bracket with base plate

Polished Stainless Steel AISI-316.
Applicable for both concrete pool and vinyl pool.

Code

With AISI-316 08070001

