

# QUIET RUNNING

## SERIES SWIMMING POOL PUMPS

### Applications:

Recycling and filtering of water for medium and commercial swimming pools.



# FCP-A

Quiet running single-stage centrifugal pumps, complete with prefilter.

### Materials:

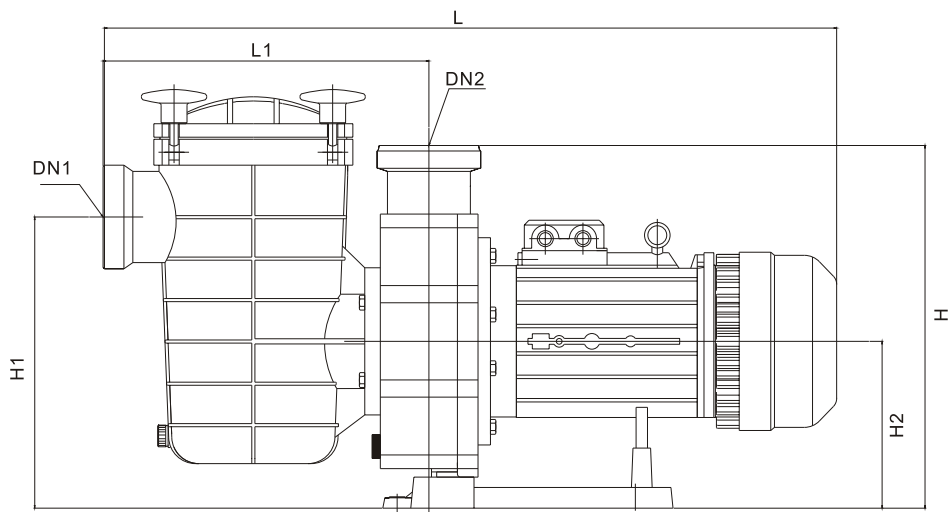
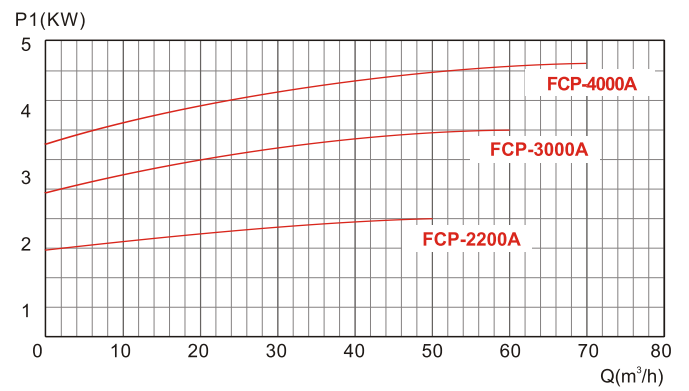
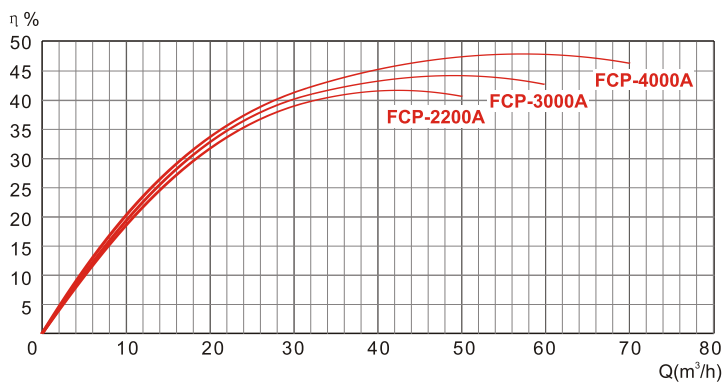
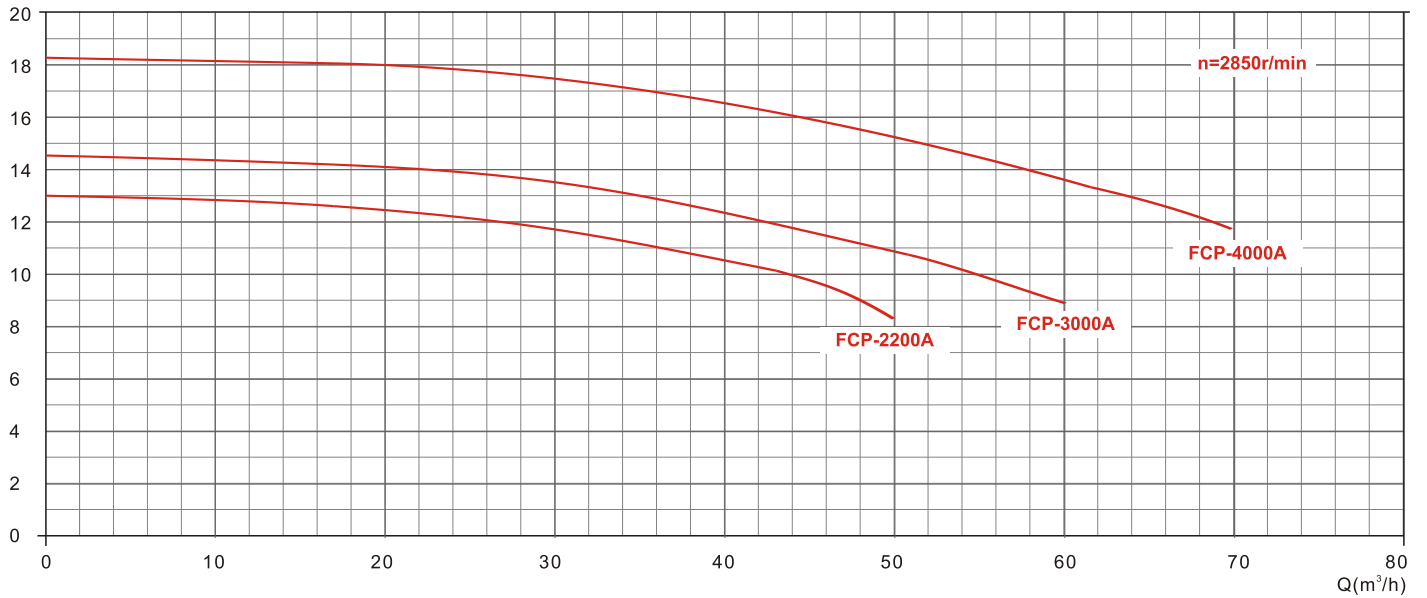
Prefilter, pump body, pump foot in PP.  
 Seal mounting and impellor in PPO.  
 Motor shaft in stainless steel AISI 420.  
 Mechanical seal in SIC&SIC.  
 Motor housing in aluminum L-2521.

### Motor:

Asynchronous, two poles.  
 IP 55 protection.  
 Class F insulation.  
 Continuous operation.

### TECHNICAL DATA

Model	HP	KW	V		A		P1(KW)	Q	H(m)						
			50HZ	50HZ	220V	380V			1~/3~	0	333.3	500	666.7	833.3	1000
FCP-2200A	3	2.2	220	380	15	4.9	2.8	L/min	0	20	30	40	50	60	70
FCP-3000A	4	3		380		6.4	3.6	m³/h	0	13	12.6	11.8	10.6	9	
FCP-4000A	5.5	4		380		8.3	4.7	H(m)	14.5	14.2	13.5	12.6	11	9.5	
									18.2	17.8	11	16.3	16	13.8	12.2



**DIMENSION**

	L	L1	H	H1	H2	DN1	DN2
FCP-2200A	653	310	319	286	156	φ 75	φ 75
FCP-3000A	683	310	319	286	156		
FCP-4000A	718	310	319	286	156		

