



G3 SERIES OZONE GENERATORS

RUGGED, VERSATILE & COST-EFFECTIVE OZONE GAS GENERATORS

G3 Series Ozone Generators are compact, rugged and air-cooled and cost-effective ozone gas generators. Ozone generators designed to meet the most demanding industrial applications and process requirements in a simple and easy to use package.

Small in size with big ozone output – G3 Ozone Generators with precision control and fine turndown resolution are capable of a few grams per hour to more than 70 grams per hour output.

Designed for industry – Lightweight wall or skid mountable non-metal G3 enclosures are ideal for harsh environments and challenging applications:

- Aquatics, Aquaculture and Agriculture
- Cooling and Boiler Water Treatment
- Drinking Water Treatment
- Food and Beverage
- Industrial Water Treatment and Production



Model: G34

Legendary – G3 Ozone Generators are built with Floating Plate Technology™ ozone reactor cells powered by advanced Powertron™ power supplies. Patent pending Powertron™ power supplies are revolutionary and precisely control the power used to produce corona, so energy is not wasted. Powertron™ monitors electrical parameters to deliver the most efficient energy usage with stable operation and unsurpassed reliability. Powertron™ includes integrated power factor correction with precision ozone control that delivers the most energy efficient air-cooled ozone production available.

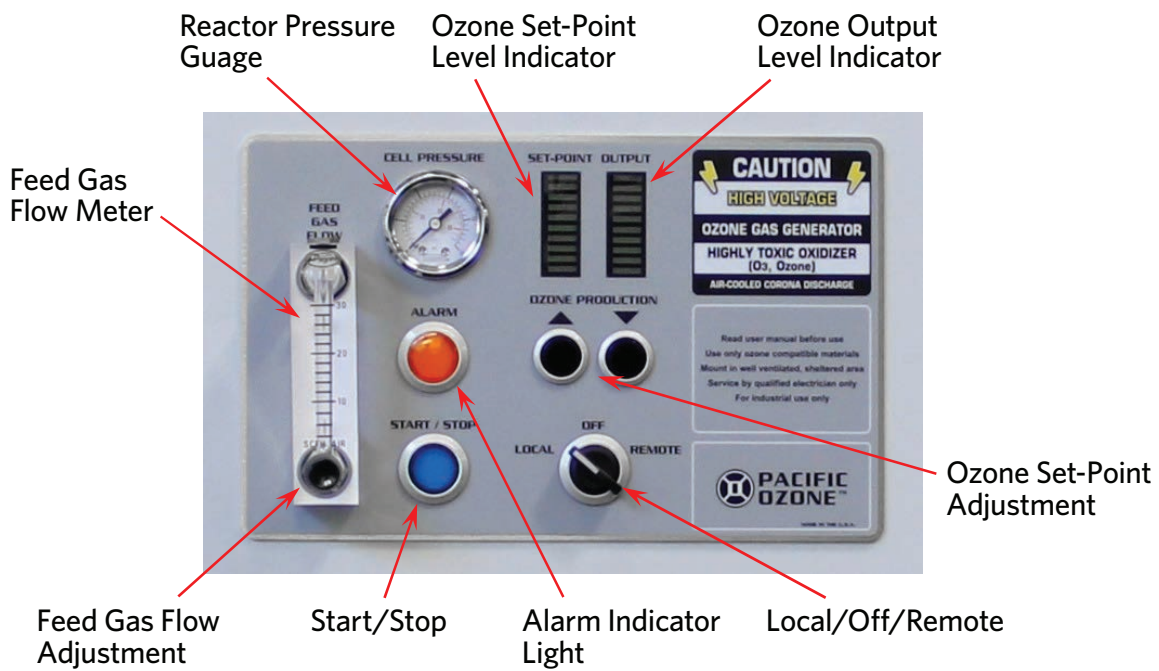
Features

- Non-metal Enclosures
- Air-Cooled FPT™ Titanium Reactor Cells
- Efficient 18, 36, 54 and 70g/h Rated Ozone Production
- Easy-to-use Instrument Panel
- Precision Ozone Control Powered by Powertron™
- Remote Start/Stop and 4-20mA Proportional Control
- Full Safety Features Including Over-temp, Flow Switch and Fault Protection

Benefits

- Low Operating Cost
- Compact Package
- Simple Install and Integration
- Ideal for Upgrading Existing Systems

**SIMPLE. PROVEN.
OZONE TECHNOLOGY.**



EASY-TO-USE INSTRUMENT PANEL DESIGN

The instinctive classic panel interface includes all of the important features found on complex ozone generators in larger, more costly installations. Operating the G3 is easy by pressing the start/stop button or using the integrated remote on/off control contracts.

G3 instruments include ozone set-point and output LED indicators, feed gas flow control, back pressure control, cell pressure gauge, feed gas pressure regulator and a local/off/remote switch to change from local proportional control to remote 4-20mA set-point control, and E-stop for safety. Alarms to protect the G3 from damage include over temperature, no flow and low/high power condition.

The G3 is the most advanced and compact air-cooled ozone generator delivering 0.5 pounds of ozone per day to more than 3 pounds of ozone per day production.

Start/Stop PB: Controls incoming power to entire ozone generator. The blue light will illuminate when machine is powered on.

Ozone Set-Point Adjustment PBs: Adjusts Ozone Set-Point level for the Ozone Generator.

Local/Off/Remote SW: Local/Remote Switch. Local indicates ozone control level via Ozone Output Adjustment PBs. Remote indicates external 4-20mA ozone control level from customer interface.

Feed Gas Flow Meter (scfh): Indicates the flow of oxygen/dry air feed gas fed through the reactor cell.

Reactor Pressure Gauge (0-15 psig): Indicates the backpressure regulated through the ozone generator. The Back Pressure Adjustment Valve regulates the amount of pressure. The reactor cell is rated at 15 psig maximum.

The Back Pressure Adjustment Valve should be adjusted so that the gauge reads between 3-12 psig. Performance output of the Ozone Generator are rated to a reactor cell pressure of 6 psig.

Ozone Output Level Indicator: Indicates the output level for ozone production regulated by the ozone set-point level.

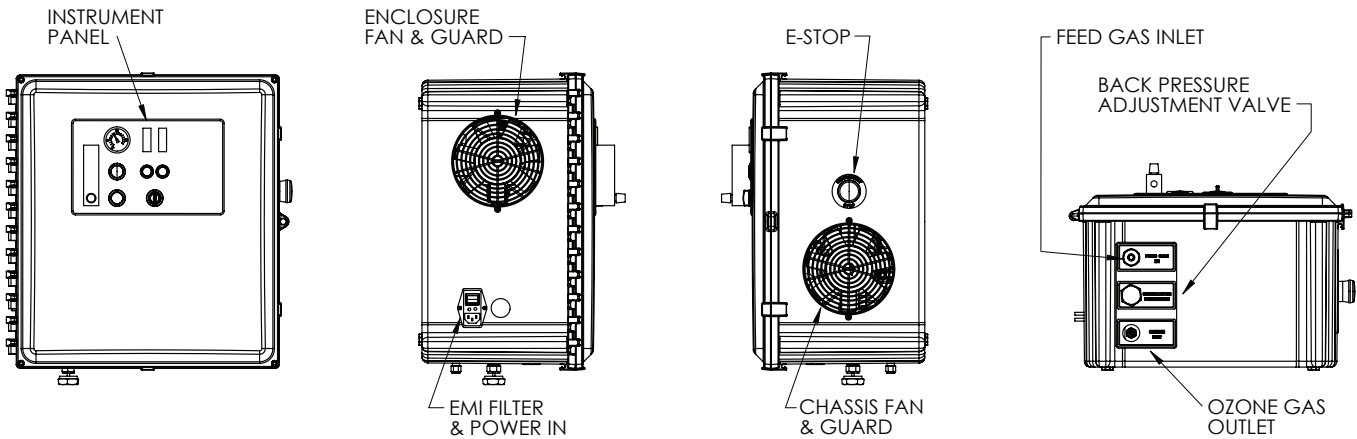
Ozone Set-Point Level Indicator: Ozone set-point level indicator adjusted by Ozone Set-Point Adjustment PBs.

Alarm Indicator Light: Alarm indicates generator fault due to power supply failure or overheating. Refer to User Manual for troubleshooting of G3 Series Ozone Generator.

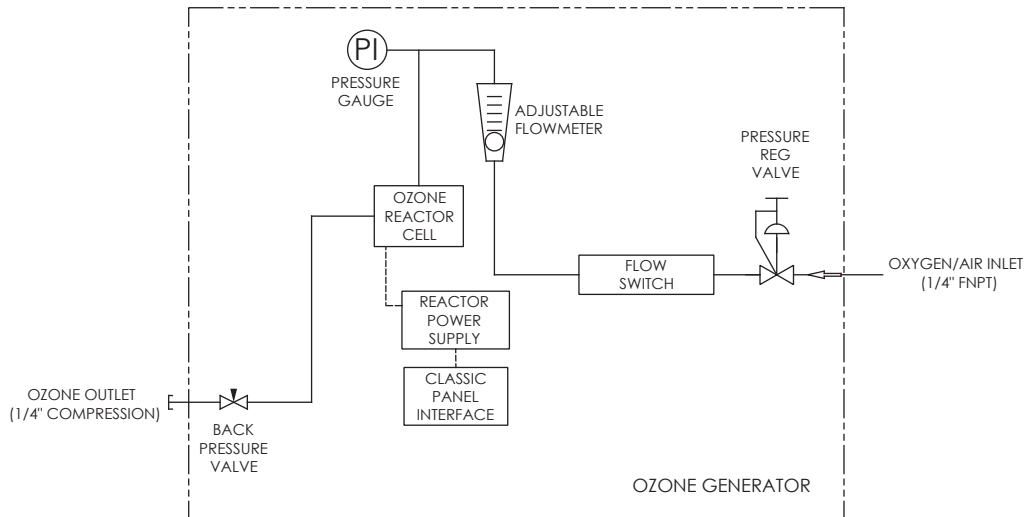
POWERFUL, FLEXIBLE AND AIR-COOLED

The ultra-reliable G3 Series ozone generators allow customers to approach ozone applications once considered challenging and difficult with ease and confidence. Engineered to meet the most demanding industrial ozone process requirements, the G3 Series will provide years of trouble-free operation.

Sanitization and disinfection with ozone has been used for decades in pharmaceutical, beverage, food and water treatment.

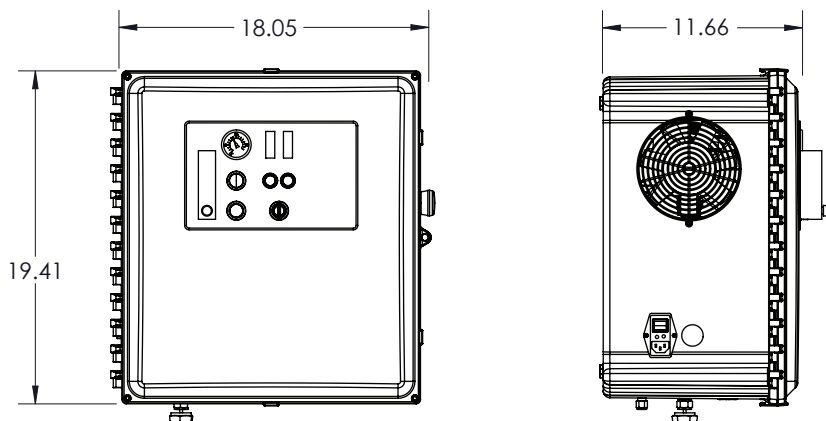


G3 OZONE GENERATOR FLOW



G3 wall-mount requires minimal space (left); Typical injector arrangement and degas configuration.

TECHNICAL SPECIFICATIONS



Model	O ₃ g/h Production	Normal Flow (scfh)	Operating Flow (scfh)	Reactor Cell Operating Pressure	Power Requirement	Power Consumption	Dims
G31	18	10	5-15	3-12 psi	1Ø,120V or 240V, 10A, 50/60Hz	400W	18.8" w x 11.7" d x 19.4" h
G32	36	20	10-30	3-12 psi	1Ø,120V or 240V, 10A, 50/60Hz	550W	18.8" w x 11.7" d x 19.4" h
G33	54	30	15-45	3-12 psi	1Ø,120V or 240V, 10A, 50/60Hz	800W	18.8" w x 11.7" d x 19.4" h
G34	70	40	20-60	3-12 psi	1Ø,120V or 240V, 10A, 50/60Hz	850W	18.8" w x 11.7" d x 19.4" h



6160 Egret Court, Benicia, CA 94510

+1 (707) 747-9600 pacificozone.com / evoqua.com

Pacific Ozone is a brand of Evoqua. All information presented herein is believed reliable and in accordance with accepted engineering practices. Evoqua makes no warranties as to the completeness of this information. Users are responsible for evaluating individual product suitability for specific applications. Evoqua assumes no liability whatsoever for any special, indirect or consequential damages arising from the sale, resale or misuse of its products.

© 2019 Evoqua Water Technologies LLC Subject to change without notice DS-G3-1119