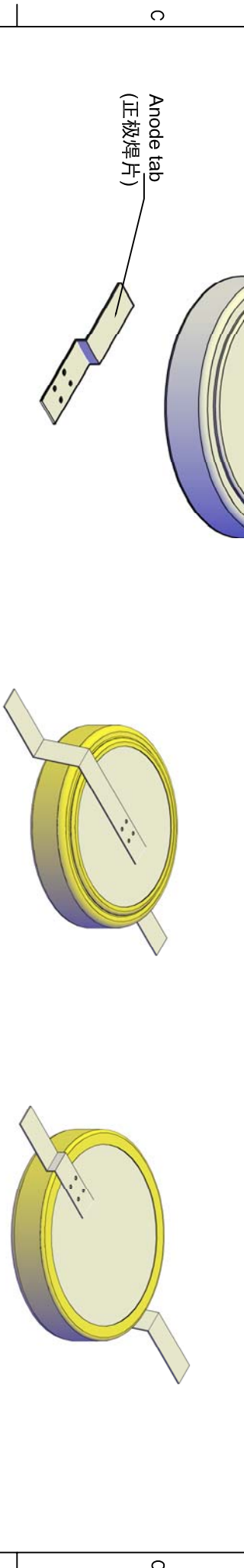
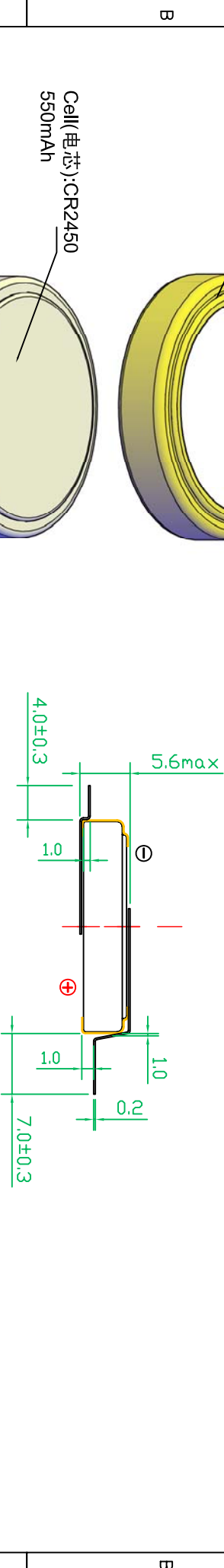
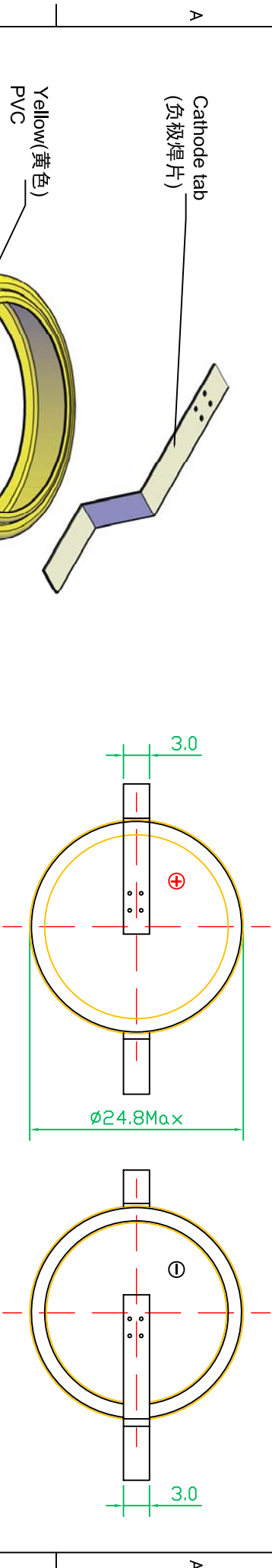


(Scale: 1.8 : 1)



Title	EEMB®		Drawn:	Lijieyong	Revise No.:	E4-2009
	EEMB BATTERY		Checked 1:	Coco	Projection:	
File NO.	CR2450-LGY2		Checked 2:		Page:	1/1
	A07846		Approved:		Scale:	1.5: 1
			Draw Date:	2013/03/30	Unit:	mm

- Remark(备注):
1. Cell(电芯): Button, Yellow PVC, with date code(扣式, 包黄色 PVC, 表面喷码)
  2. Cathode/Anode tab: Stainless steel plated with nickel  
正/负极焊片材质: 不锈钢镀镍
  3. RoHS Compliant  
严格按照ROHS要求生产