

INSTRUCTION MANUAL OF CABINETS

Sketch map (I)

(1). Use STT3.5*6 screw to fix dambo boarder in 2-Ø3 holes of the middle frame.

Sketch map (III):

(3). Put front & rear frames in the bottom border (**Sketch map 2**). Attention : the side with frame baffle should be inside.
 (4). Put top cover on the frame from up side.

Attention: Top cover with big square holes should be on the back.
 (5). Joint the frame with the inside of top cover and bottom, screw down 16PCS of M8 screws and nuts.

Sketch map (IV) :

(6). Install the fan plate on the upside of the frame with 4PCS of STT3.5*6 screw(On the 4-3 holes of the cross beam between the two frames.) The side with cable entrance holes of the fan plate should be inside.

(7). Install the small panels on the top cover and bottom border where with cable entrances. Each panel with 2PCS of screws.

(8). Install the equipment frame with nuts and M6*12 screw. And also install 4PCS of square nuts into equipment frame for installing mounting rails.

(9). Use nuts and M6*12 screws to install the spacers to the frame, and then install the mounting rails with nuts and M6*12 screw to the spacers, ensure the space between the mounting rails is 19".
 (10). Install 2PCS of cable management slots to the front of the spacers (Front of the cabinet).

(11). Install the castors with 16PCS of STT5*10 screws.

(12). Install adjustable feet according to customer's requirements.

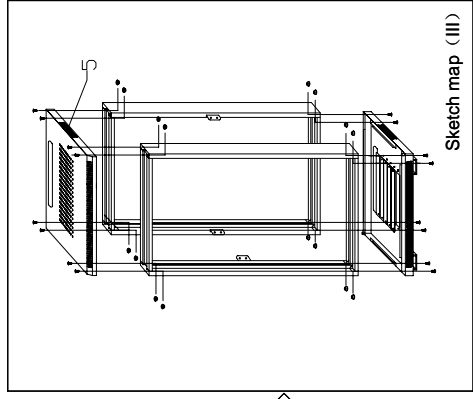
(13). If cabinets need plinth, no need step (11) & (12), directly use 4PCS of M10*25 revets to install the plinth.

Sketch map (V) :

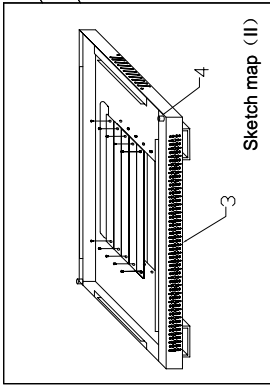
(14). Erect upon the assembled cabinet, adjust the diagonal to be less than 1.5MM.

(15). Install the fixed shelf with nuts and M6*12 screw, PDU etc.
 (16). Put the bottom feet of side doors into the square holes of bottom border, and make the speed forelock into the frames, ensure the clearance is uniformity.

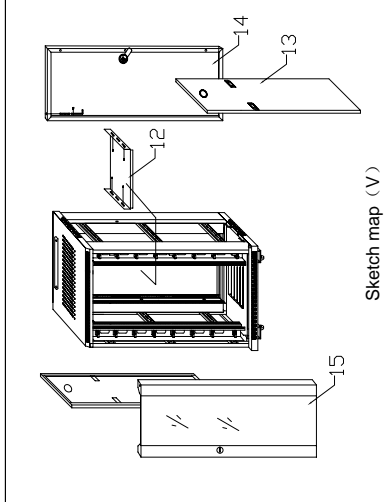
(17). Install the door stand to the bottom border, and then installation of front door and rear door is done, ensure that the clearance between the top of the door and the top cover should be uniformity.



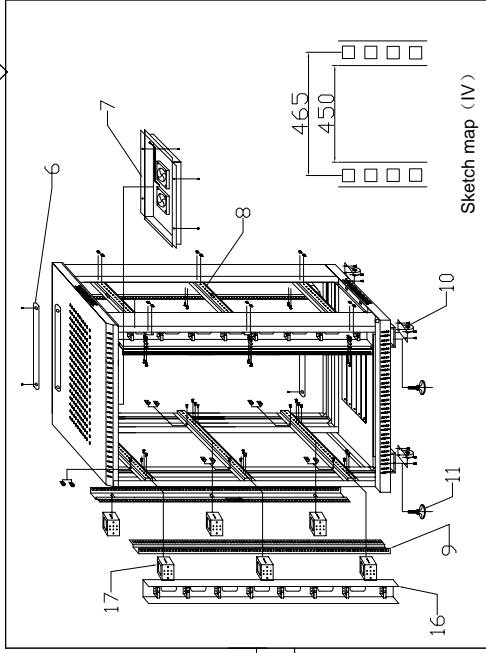
Sketch map (I)



Sketch map (III)



Sketch map (IV)



Sketch map (V)

NO:	Part name	QTY	Remark
17	Link piece	≤271-8	
16	Reducing cable channel	≤271-12	
15	Glazed front door	1	
14	Rear door	1	
13	Side door	2	≤271-6
12	Fixed shelf	≤321-3	
11	Adjustable feet	4	
NO:	Part name	QTY	Remark

NO:	Part name	QTY	Remark
10	Castor	4	
9	Mounting angles	4	≤271-10
8	Equipment frame	1	≤321-6
7	Fan plate	1	
6	Little panel	2	
5	Top cover	1	
4	Door rotor	2	
3	Bottom	1	
2	Baffl	4	
1	Frame	2	
NO:	Part name	QTY	Remark

MODEL		8X-19"Standard Cabinets	
NAME	Assembly Drawing	view relation	SPCC
		1	1
			proportion
			FIT