



VC520

User Manual



TRADEMARKS

“AVer” is a trademark owned by AVer Information Inc. Other trademarks used herein for description purpose only belong to each of their companies.

COPYRIGHT

©2016 AVer Information Inc. All rights reserved.

All rights of this object belong to AVer Information Inc. Reproduced or transmitted in any form or by any means without the prior written permission of AVer Information Inc. is prohibited. All information or specifications are subject to change without prior notice.

NOTICE

SPECIFICATIONS ARE SUBJECT TO CHANGE WITHOUT PRIOR NOTICE. THE INFORMATION CONTAINED HEREIN IS TO BE CONSIDERED FOR REFERENCE ONLY.

WARNING

TO REDUCE RISK OF FIRE OR ELECTRIC SHOCK, DO NOT EXPOSE THIS APPLIANCE TO RAIN OR MOISTURE. WARRANTY WILL BE VOID IF ANY UNAUTHORIZED MODIFICATIONS ARE DONE TO THE PRODUCT.

Remote Control Battery Safety Information

- Store batteries in a cool and dry place.
- Do not throw away used batteries in the trash. Properly dispose used batteries through specially approved disposal methods.
- Remove the batteries if they are not in use for long periods of time. Battery leakage and corrosion can damage the remote control. Dispose of batteries safely and through approved disposal methods.
- Do not use old batteries with new batteries.
- Do not mix and use different types of batteries: alkaline, standard (carbon-zinc) or rechargeable (nickel-cadmium).
- Do not dispose of batteries in a fire.
- Do not attempt to short circuit the battery terminals.

Contents

Package Contents.....	1
Product Introduction.....	2
Camera.....	2
Speakerphone	3
Hub	4
Remote Controller.....	4
Setup VC520	6
Device Connection.....	6
Mounting Camera	7
Connector Retainer.....	8
Use VC520	9
Make a Video Call.....	9
Phone in	9
Line in	9
LED Indicator.....	9
AVer PTZApp	11
Install AVer PTZApp	11
Use AVer PTZApp.....	11
Select Remote Control.....	16
Set the Camera Number	17

Package Contents



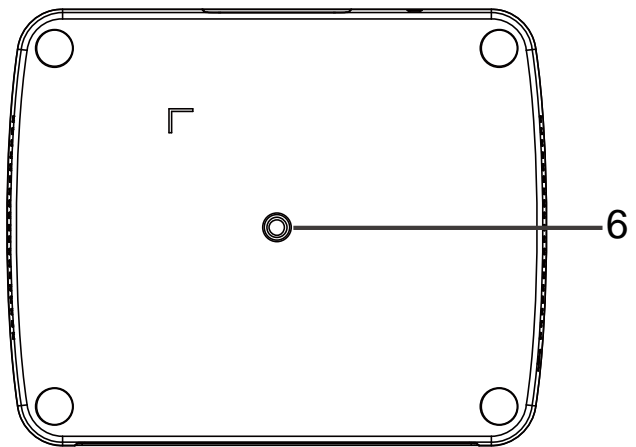
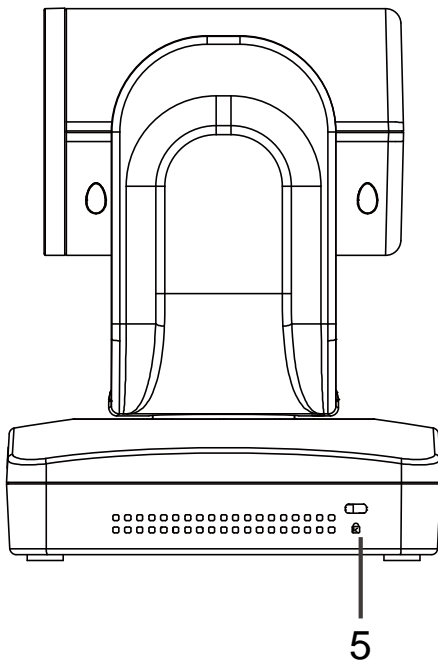
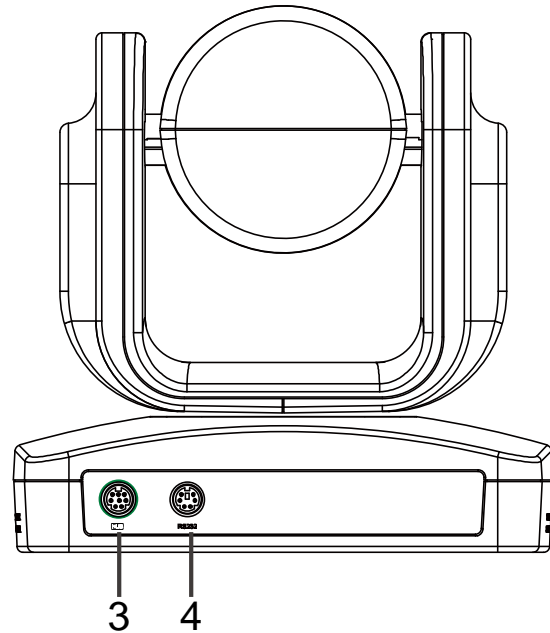
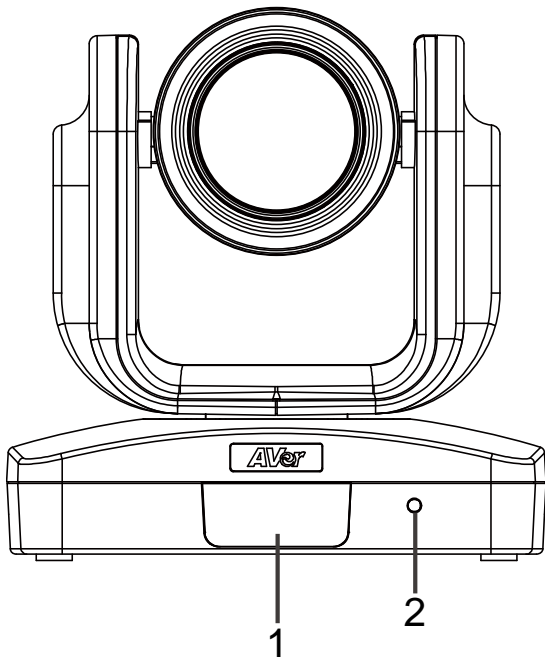
- | | |
|--|-----------------------------------|
| 1. Camera | 9. Camera cable |
| 2. Hub | 10. Speakerphone cable |
| 3. Speakerphone | 11. 3.5mm AUX cable |
| 4. Remote Controller | 12. User Manual |
| 5. Mount (mounting screws are included) | 13. Warranty Card |
| 6. Power Cord ¹ & Power adapter | 14. Quick Installation Guide |
| 7. Velcro for hub ² | 15. AAA Batteries (x2) |
| 8. USB cable | 16. Connector Retaining Kit(4pcs) |

[Note] 1. The power cord will vary depending on the standard power outlet of the country where it is sold.

2. Adhesive fastener holds the hub when mounted under your flat surface. Use appropriate cleaning solution when removing the fastener. Test the cleaning solution to make sure that it will not damage the surface.

Product Introduction

Camera



1. IR Sensor

2. Power indicator

3. Hub connection

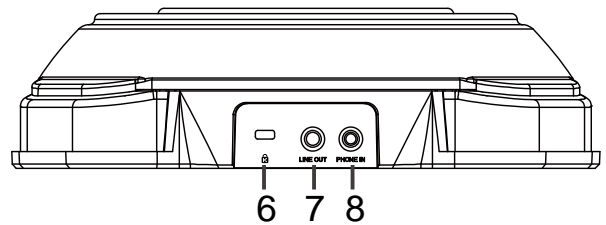
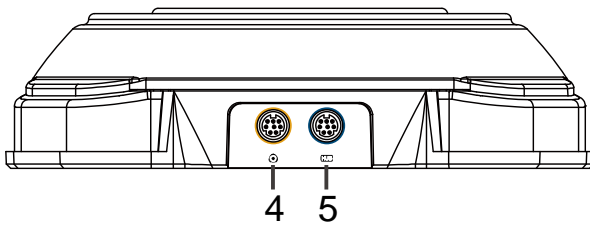
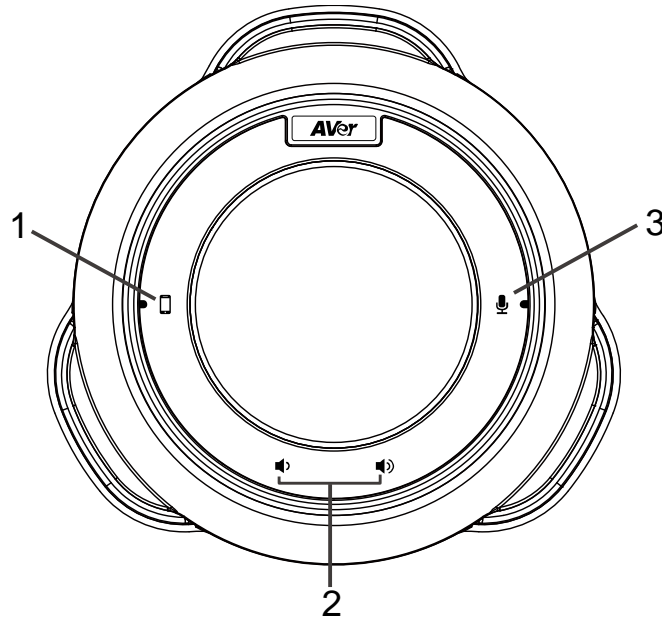
4. RS232 connection*

5. Kensington lock

6. Screw hole for mounting

* If you need a converter or instructions on how to use RS232, please contact AVer USA.

Speakerphone

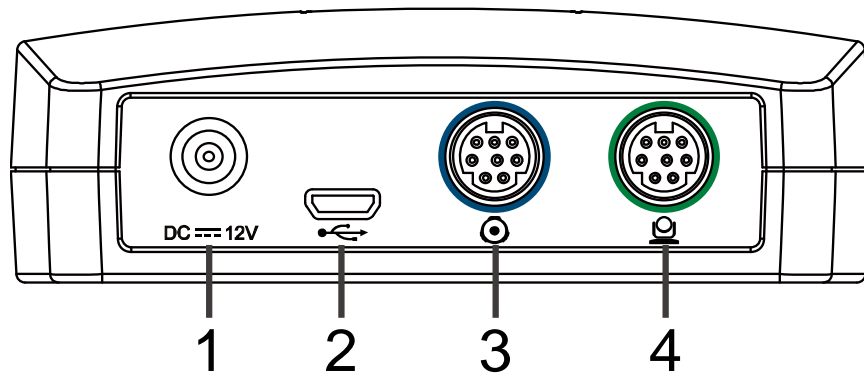


- | | |
|------------------------------|--------------------|
| 1. Cellphone indicator | 5. Hub connection |
| 2. Volume up/down | 6. Kensington lock |
| 3. Mute/unmute speakerphone* | 7. Line out |
| 4. Speakerphone(daisy chain) | 8. Phone in |

* **Red LED:** speakerphone is on mute

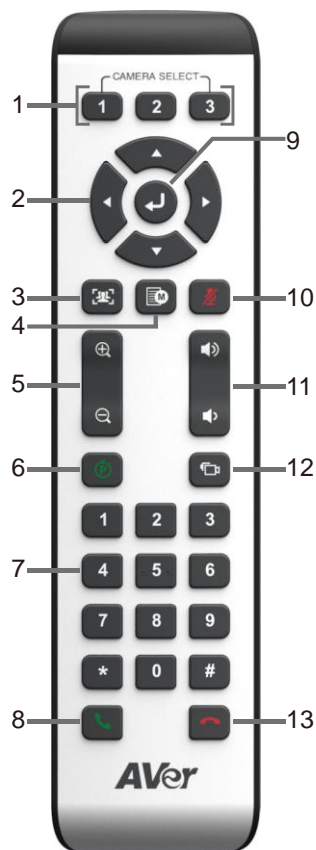
* **Blue LED:** speakerphone is active (or live)

Hub



1. Power jack
2. USB port
3. Speakerphone connection
4. Camera connection

Remote Controller



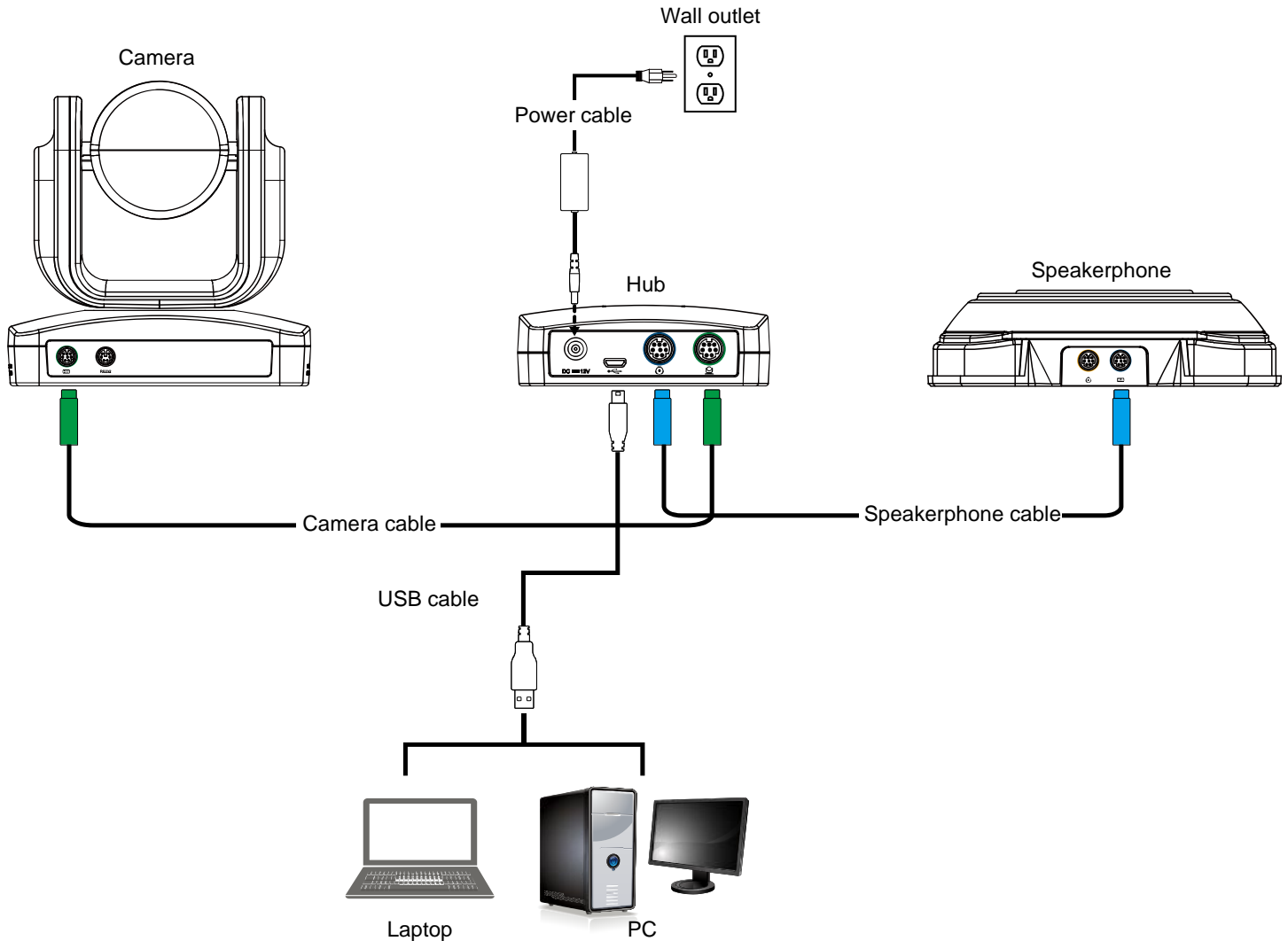
Name	Function
1. Camera select	1 remote can control up to 3 AVer VC/CAM. Use AVer PTZapp sets number associated with each camera, select which camera you like to control on remote.
2. Camera direction control	Use the direction button on the remote to control the direction of the camera. Press the direction button to move the camera or press and hold for continuous pan or tilt.


Name	Function
3. FaceLumi	Press it to optimize and lock auto focus, auto exposure and skin tone based on faces detected by camera at this moment. When pan, tilt, zoom or camera disconnects, this settings are unlocked.
4. OSD menu	Press to bring out OSD menu.
5. Zoom in/Zoom out	Increase/Decrease the camera zoom.
6. Preset	<ul style="list-style-type: none"> ■ Press to get back to “home” position that user has set. ■ Move camera to desired position. Press and hold the preset button until saved message is displayed on screen. Select preset position button 0~9 to save current camera position. Press preset + preset position button (0~9), camera will go to saved position.
7. Preset position	Press preset + preset position button (0~9), camera will go to saved position.
8. Call/answer*	Answer a call or start a call.
9. Enter	To confirm selection in OSD menu.
10. Mute/Unmute Speakerphone	Mute/Unmute the speakerphone.
11. Volume up/down	Adjust volume up or down.
12. Far site camera control	Press the Far/Near button to control the far site camera for pan, tilt, or zoom functions.
13. Hang up*	End the call.

* Function requires AVer PTZApp

Setup VC520

Device Connection



1. Use the camera cable and the speakerphone cable to connect the camera, hub, and speakerphone (refer to diagram above).
2. Use USB cable to connect the hub to your PC/laptop (refer to diagram above).
3. Connect the power to the hub;  LED will light up, camera head will rotate, and the camera power indicator will light up.
4. Install Aver PTZApp on laptop or PC that is connected with VC520. The app can be used to adjust and setup the parameters of the camera (refer to section of Aver PTZApp)
5. To make a call, run your video application (Skype™, Microsoft®Lync™, Google Hangout, Cisco WebEx®, GoToMeeting™, WebRTC, and etc.), select VC520 as your video and audio device.

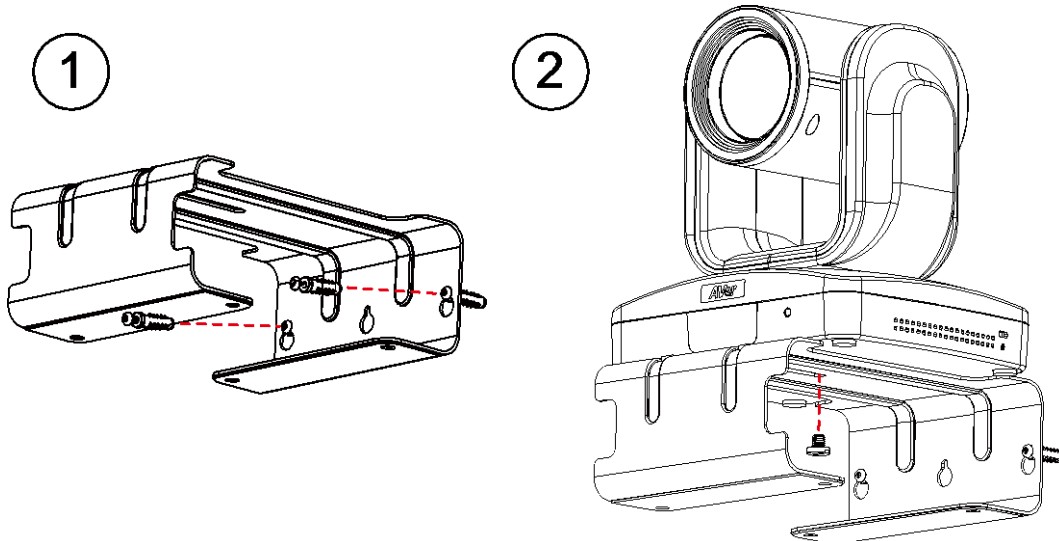
Mounting Camera

There are 3 ways to mount the camera – on the wall, on the ceiling, and on a table with the mount and screws included in the package.

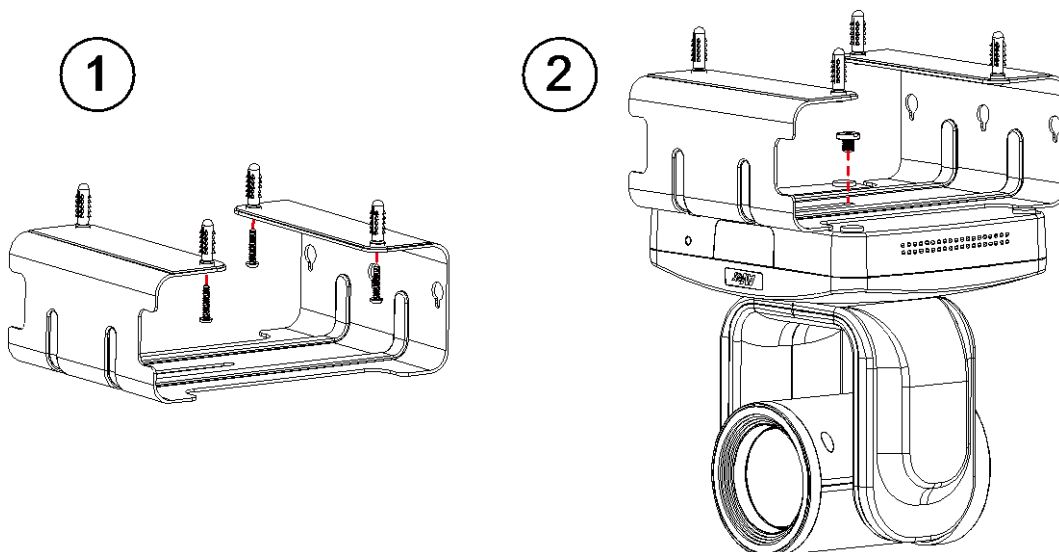
[Warning]

1. When securing the camera mount on a wall or ceiling, only use hardware and materials certified to support 22 lb (10 kg) weight. For dry wall installation, please use Sleeve-Type Hollow Wall Anchors (a.k.a. Molly Bolts).
2. If the camera mount is secured to a table, please note excessive table movement or pulling on the camera cables may cause the mount and camera to fall. Ensure the cables and camera are secured properly.

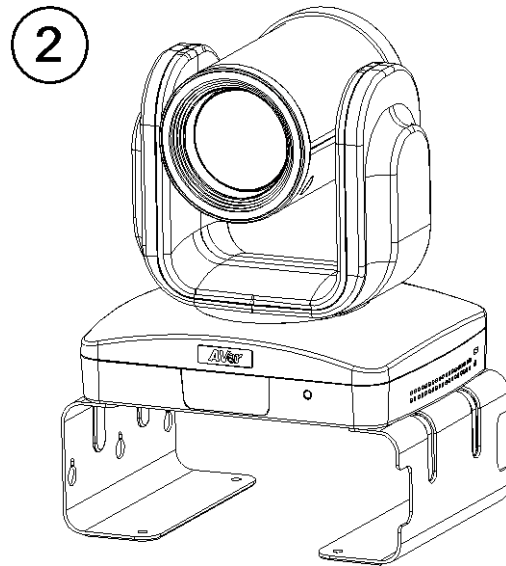
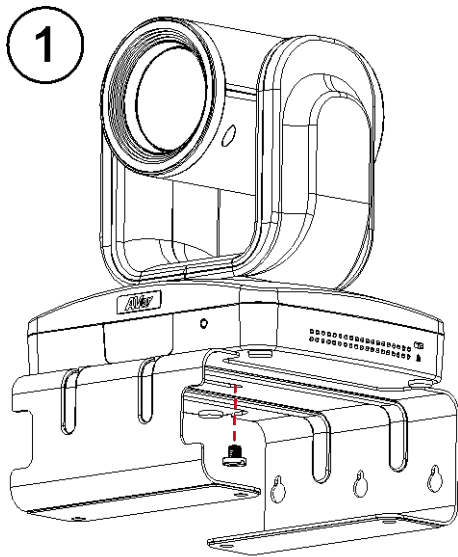
■ Wall



■ Ceiling

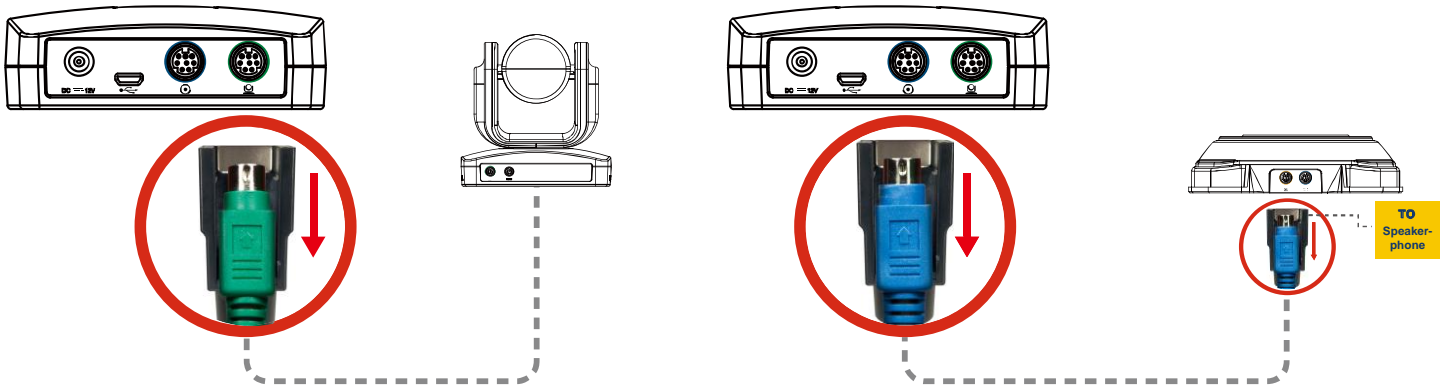


■ Table



Connector Retainer

The connector retainer can use to secure camera and speakerphone cable connection with hub, camera, and speakerphone.



Use VC520

Make a Video Call

1. Make sure all devices (camera, hub, speakerphone, and laptop/PC) are well connected and hub is powered on.
2. Run your video application (Skype™, Microsoft® Lync™, Google Hangout, Cisco WebEx®, GoToMeeting™, WebRTC, and etc.) on your laptop or PC.
3. Set the VC520 camera as the primary camera for your video application (refer to your video application user guide). You can now make your call.
4. The VC520 is a plug-and-play conference camera. The system requires no special drivers, but we do recommend installing the AVer PTZApp for a better user experience. For information on how to install and use the AVer PTZApp, refer to the AVer PTZApp section in this user manual.

Phone in

To connect the VC520 speakerphone to your mobile phone as a hands free call device.

1. Use the included 3.5mm AUX cable to connect your mobile device to the “Phone In” jack on the speakerphone.
2. Once the VC520 detects the proper connection to your mobile phone, When connection is successful, the “Cellphone” indicator will light up.

Line in

To connect another VC520 speakerphone to extend the distance of speakerphone coverage to cover a room that has a diameter larger than 30’ and increase the volume:

1. Connect one side of the daisy chain cable (not included) to the speakerphone port (daisy chain).
2. Connect the other side of the cable to the speakerphone port on the other VC520 speakerphone.

LED Indicator

■ Camera

Status	LED
Starting	Flashing blue and camera head is rotating
Normal	Solid blue
Camera is not being used by the computer	Solid orange
Camera is not connected	Solid orange and camera head is down.

■ Speakerphone()

Status	LED
Mute	Solid Red
Unmute	Solid blue

■ Cellphone()

Status	LED
Connect	Light on
Disconnect	Light off

AVer PTZApp

Install AVer PTZApp



Please go to <http://www.aver.com> > **Support** > **Download Center** > **Video Conferencing** to download the AVer PTZApp. After downloading, double-click on the file and follow the on screen instructions to complete the installation.

Remember to select the “**Skype plug-in**” option during installation.

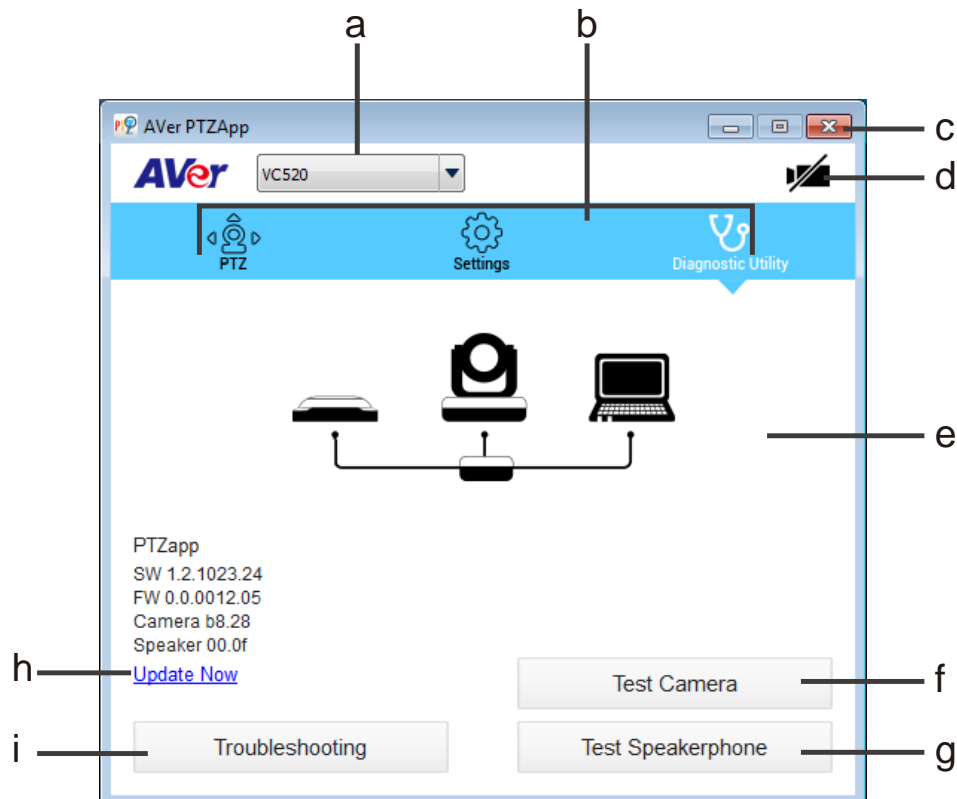
After installing the AVer PTZApp, double-click on the AVer PTZApp icon to run the application.

Use AVer PTZApp

1. To run you video application, a plug-in request will be displayed on your video application interface. Click on it to accept the plug-in; your video application can now be control by AVer PTZApp and remote control.

If you have the Skype plug-in checked during the installation, a plug-in request will be displayed in Skype. Click on the Skype plug-in request to accept the plug-in; this enables  and  functionality on the Remote Control.

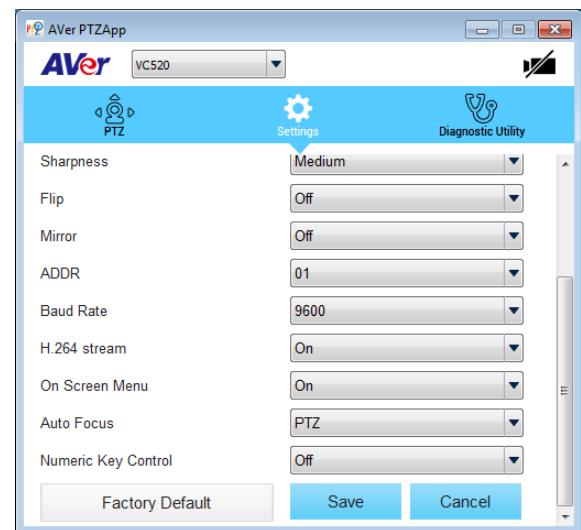
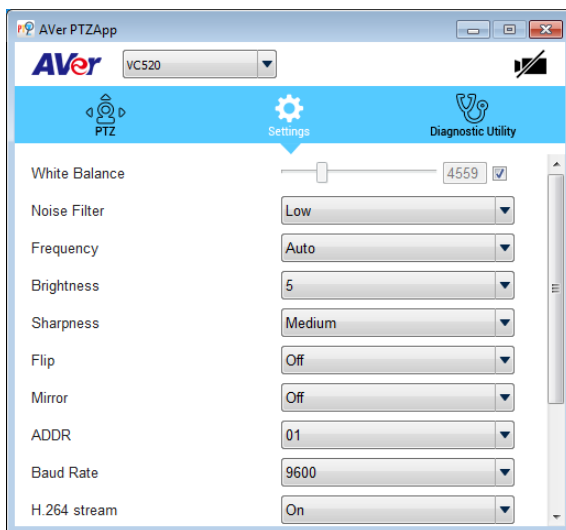
2. During your video call, you can use the AVer PTZApp to pan, tilt and zoom the camera in/out and enable/disable the backlight feature.
3. For the first time use, you can check the connection, camera, and speaker status, and setup the camera’s parameters. Each function will be described below:



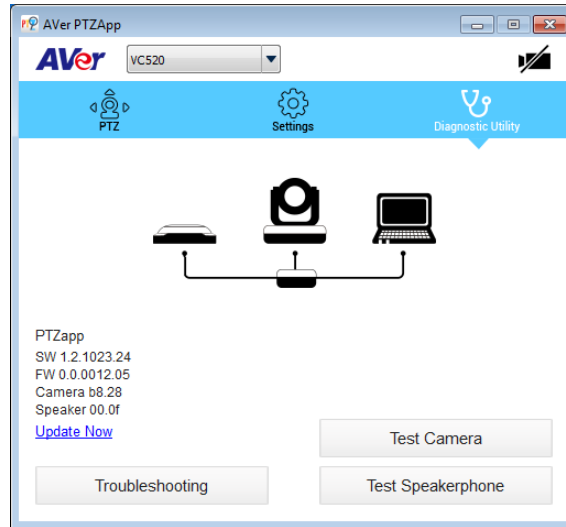
- a. **Currently selected device:** This field displays currently selected VC or CAM device controlled by PTZApp. If you have more than one AVer VC or CAM devices connected to this PC/Mac PTZApp is running, you can click on the drop down list to select other AVer VC or CAM device.
- b. **Function icon:** Click it to switch to the function's page.
 - **PTZ:** To control the camera direction, zoom in and out, and to enable/disable the backlight compensation during your video call.



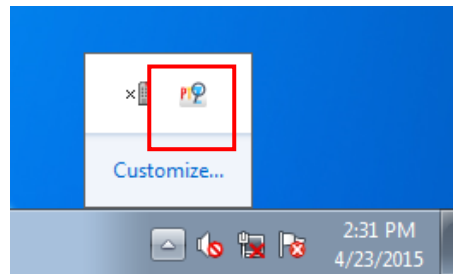
- **Settings:** To setup parameters of the camera – White balance, noise filter, frequency, brightness, sharpness, flip, mirror, ADDR, baud rate, H.264 stream, and numeric key control. ADDR and baud rate is for RS232 connection setting. Click the **Save** button to save all settings. To change all the settings, back to the default values, click the **Factory Default** button.



- **Diagnostic Utility:** To display the S/W and F/W version and the devices connection status. You can also test the camera and speakerphone status, and update the firmware of the camera.



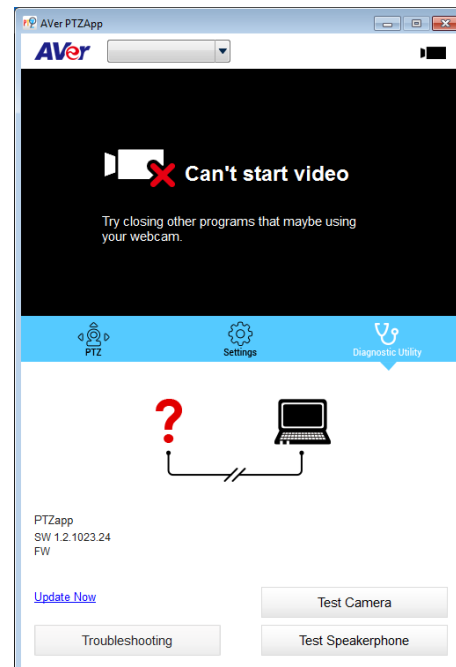
- c. **Minimize:** Minimize the app to system tray. To quit the application, right-click the icon on the system tray and select **“Quit”**.



- d. **Camera:** Click it to view the camera live view. Click the camera icon again to close the camera live view. If the live video did not appear, please check the camera, hub, and the laptop/PC connection to make sure all are correct and well connected.

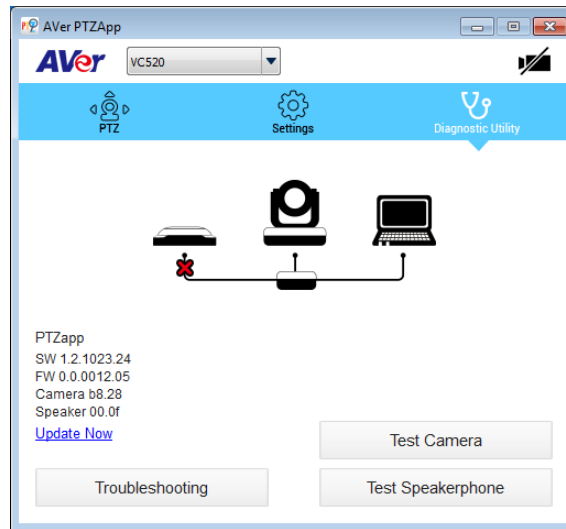



Normal

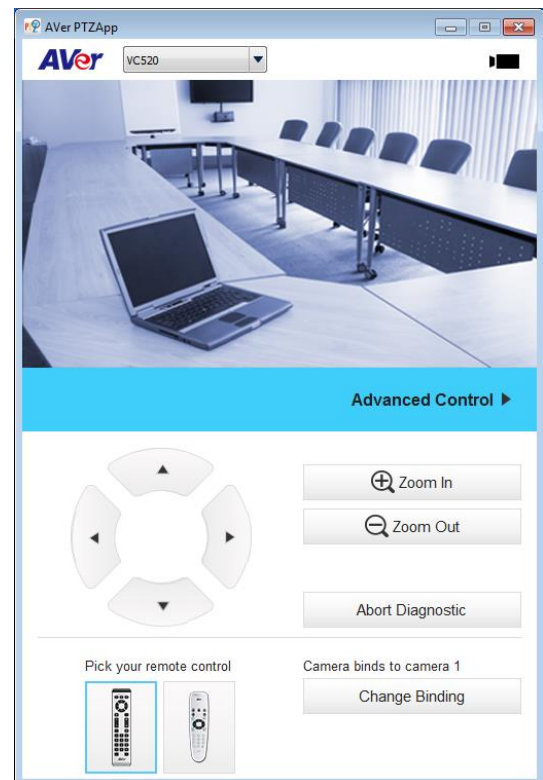
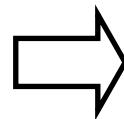
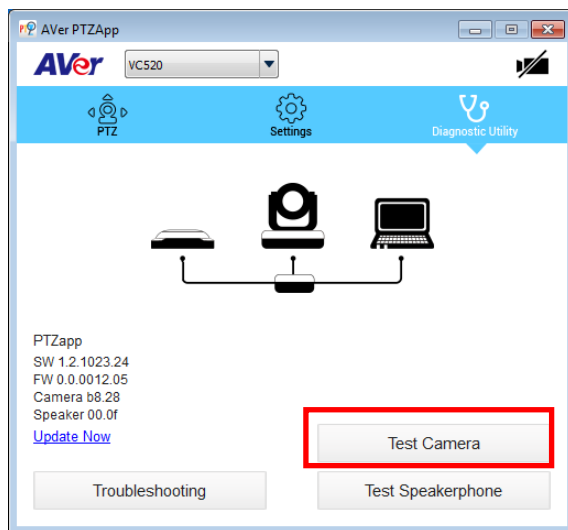


Un-normal

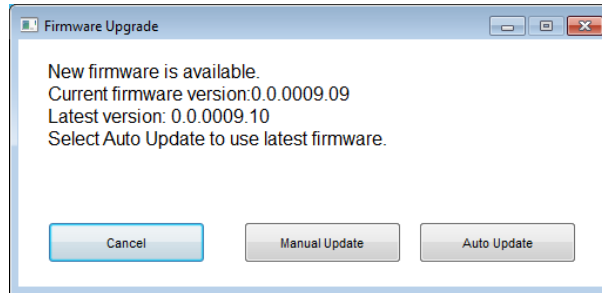
- e. **Connection diagnostic:** Display devices connection status. If the AVer PTZApp has detected that some of the devices (camera, speakerphone, hub, and laptop/PC) are not connected well, the diagram will display an “X” on the device to indicate the connection has a problem. If the camera is in use by another application, it will display “Can’t start video” warning.



- f. **Test Camera:** Click the **Test Camera** button to check the camera status. Click  to view camera live video. Also, you can adjust the camera direction and view of the zoom in/out. To leave the page, click the **Abort Diagnostic** button.

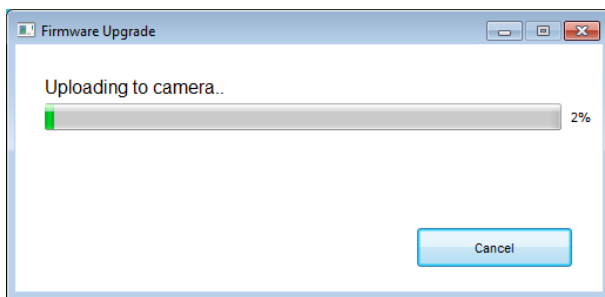


- g. **Test Speakerphone:** Click to check the speakerphone status. It will require the user to record a short message and play it back to ensure the speakerphone is working.
- h. **Update Now:** Allows the user to update the VC520 camera's firmware.
 1. Click " **Update Now**".
 2. A dialog will display the current firmware version and available new firmware version (internet connection is required).

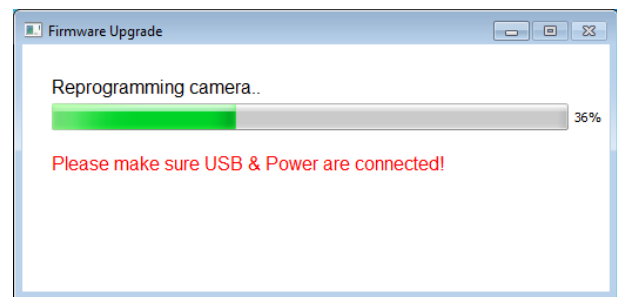


3. To auto update, click "**Auto Update**" and update process will start. The new firmware will be downloaded first; then, the new firmware will be uploaded to camera.

[Note] Before updating the new firmware to the camera, please make sure camera, hub, and laptop/PC are all well connected and stay connected during the entire process.



Download new firmware

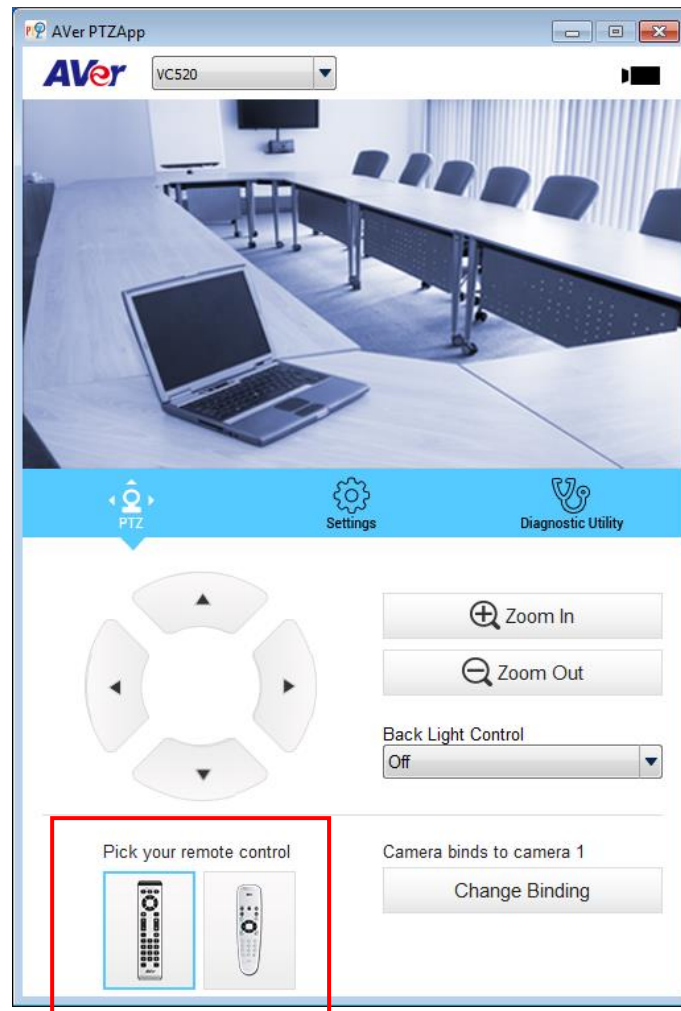


Update new firmware to camera

4. To update the firmware manually, click "**Manual Update**" and locate the new firmware to start the process.
- i. **Troubleshooting:** collect more system information for troubleshooting before you contact AVer technical support.

Select Remote Control

VC520 supports 2 types of remote control, user need to select remote control before use it. At PTZApp UI, select PTZ and select the remote control that user has.



Set the Camera Number

When connect with multiple cameras, user can set the camera number to associate with each camera for remote controller to control.

1. If PTZapp detects computer connects to multiple VC/CAM, you can select which camera you like to control through the dropdown list.
2. Next, Click **Change Binding** button.



3. Select which camera number of remote control it maps to.
4. Click **Save** to save settings. To un-save the settings, click **Abort**.

