



Warren Pumps
GTS 2100 Series
Medium Pressure Two Screw Pumps



Two-Screw Team



GTS 2100 Series Medium Pressure Two Screw Pumps

Formerly a product of our sister division IMO Pump, the GTS product line has now moved to Colfax Pump Group's North American Two Screw Center of Excellence.

- Capacities to 6000 GPM
- Discharge pressures to 600 PSI
- Viscosities to 4,500,000 SSU

Advantages

- **Variable Capacity** – Design permits a wide pumping range per case size
- **Engineered Construction** – Insures accurate assembly
- **Self-Priming / Low NPSH Requirements** – Inlet design insures maximum suction event after running dry
- **Controlled Fluid Temperature** – Pumping cavity has integral chamber for steam or hot oil heating of viscous fluids on start-up
- **No Cooling Required** – High efficiency timing gears and oversized lube oil reservoir eliminates costly external cooling system

Applications

- Crude oil
- Asphalts and tars
- Aromatic, naphthenic and aliphatic intermediates
- Fats, oils, waxes and soaps
- Molasses, glycerol, glues
- Paints, resins and polymers

Options

- Integral relief valve (applicable for normal flow direction only)
- Hard faced screws
- Nitrided screws
- Chrome-plated body bores



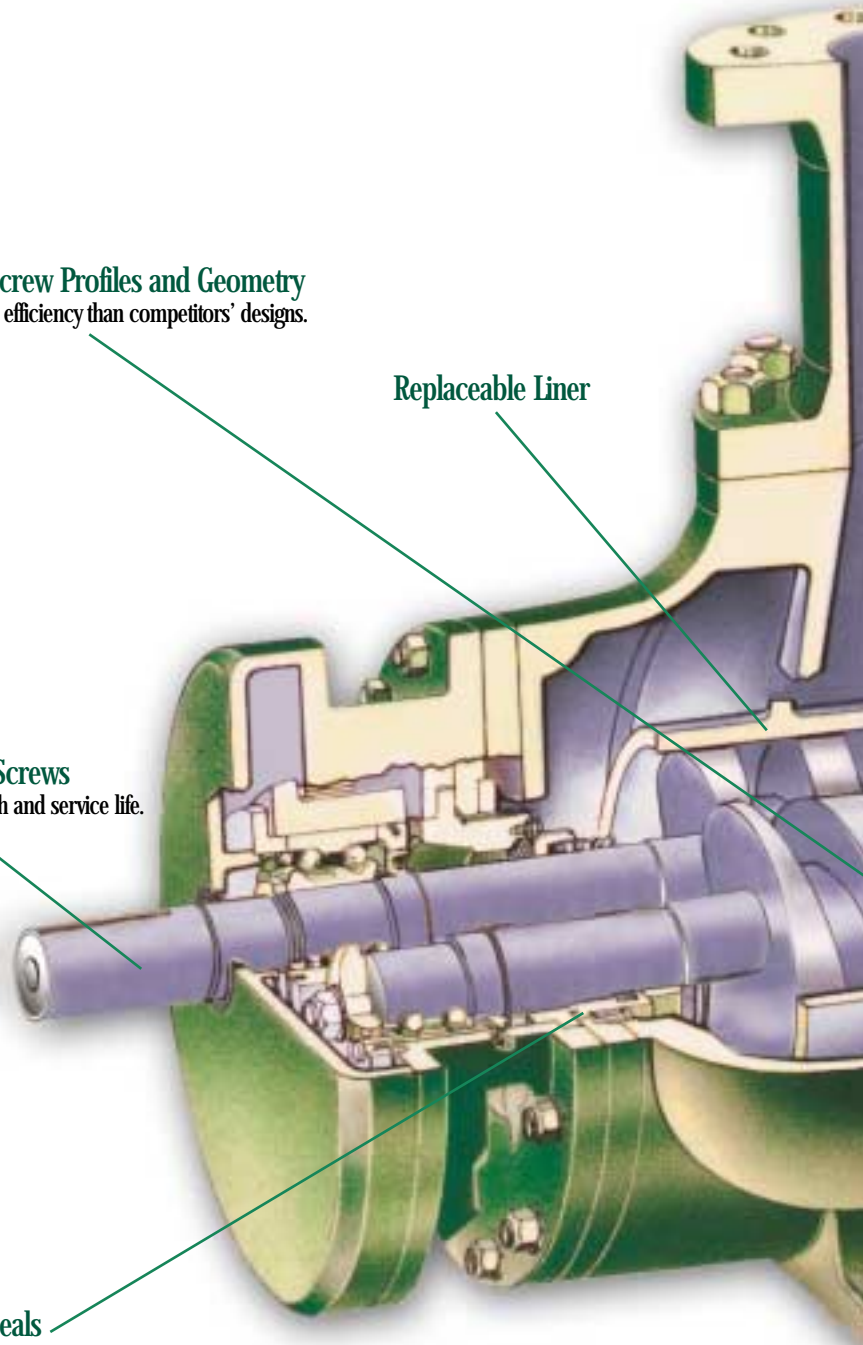
*Typical GTS 208 Crude Oil
Pumping Station Application*

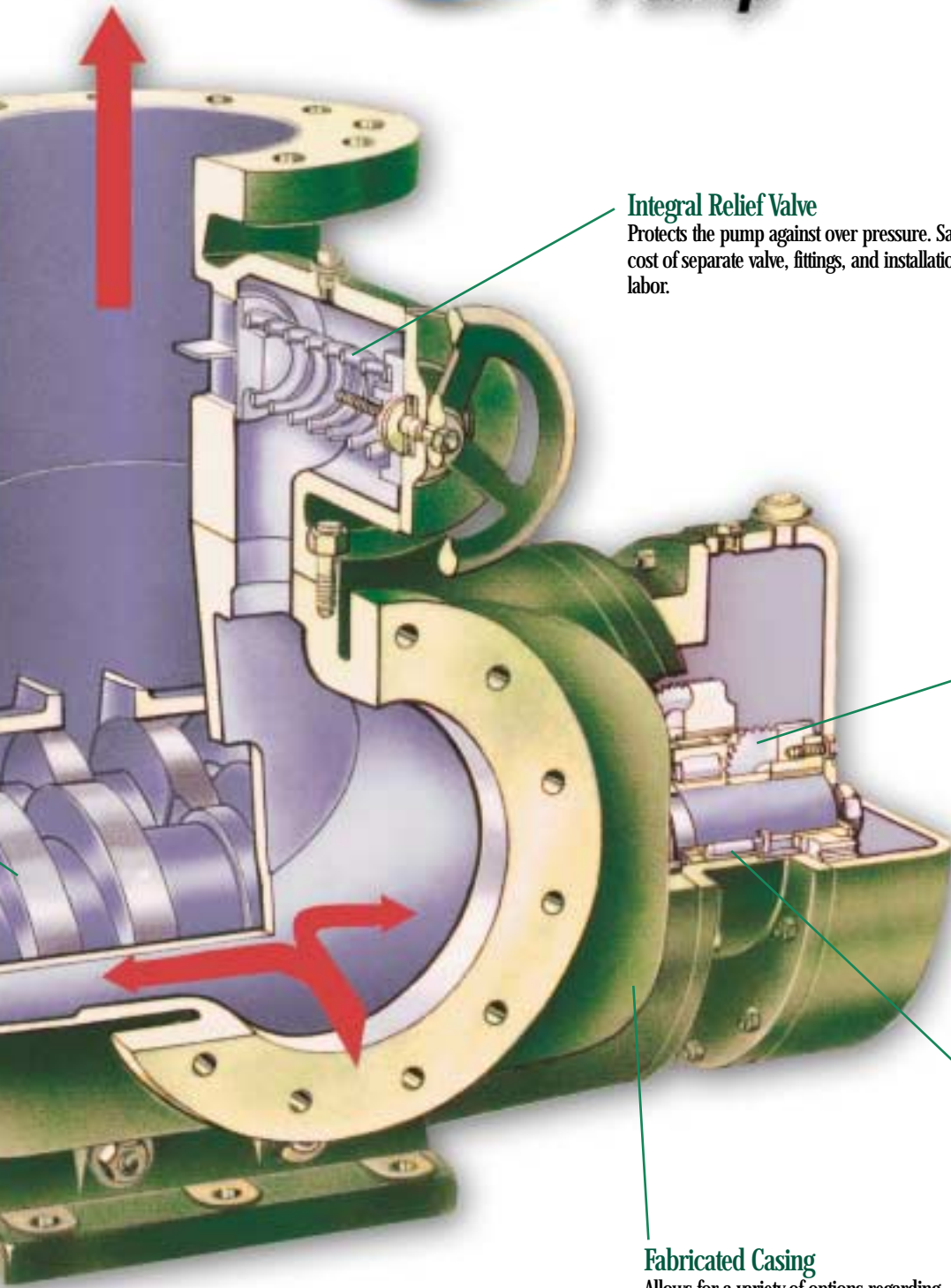
Improved Screw Profiles and Geometry
Provides better efficiency than competitors' designs.

Replaceable Liner

Integral Shaft and Screws
Provide superior strength and service life.

Mechanical Seals
Available in a wide variety of configurations.





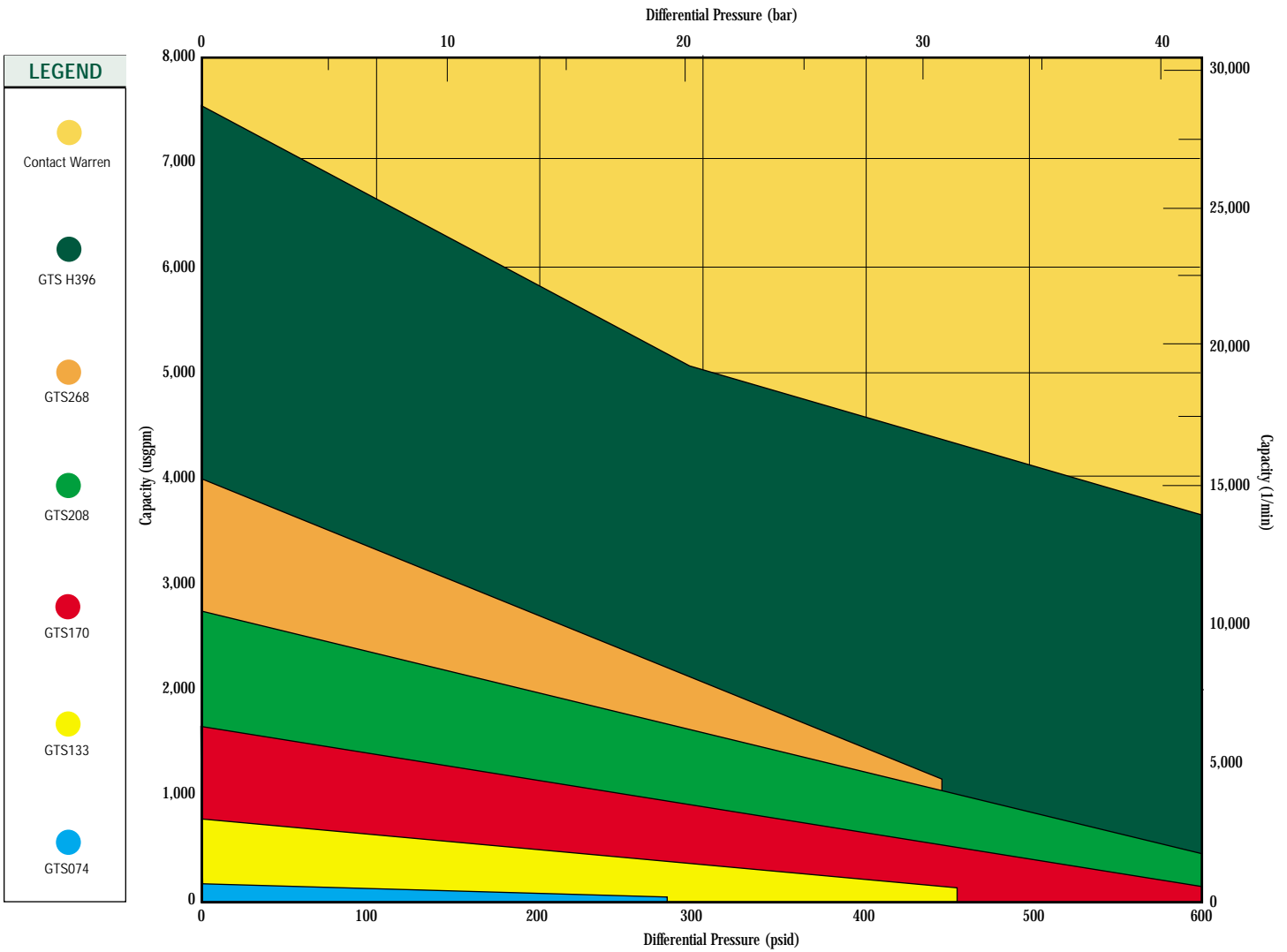
Integral Relief Valve
Protects the pump against over pressure. Saves cost of separate valve, fittings, and installation labor.

External Bearings and Timing Gears
Allows pumping of virtually any fluid.

Heavy Duty Roller Bearings

Fabricated Casing
Allows for a variety of options regarding port size and location.

GTS Quick Selection Chart



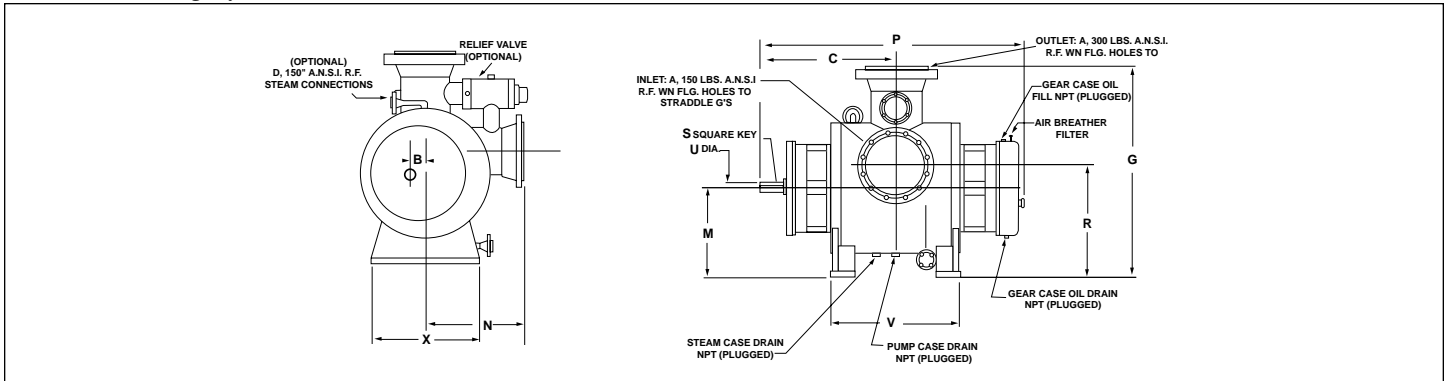
Approximate Dimensions - Housing available with fabricated casing except where noted.

PUMP SIZE	A	B	C SHORT	C LONG	G	M	N	P SHORT	P LONG	R	S	U	V	X
**074	2	1 ³ / ₁₆	11 ¹ / ₁₆	14 ¹³ / ₃₂	16	4 ³ / ₄	6 ⁵ / ₁₆	23 ⁹ / ₁₆	29 ³ / ₈	6 ³ / ₁₆	³ / ₁₆	⁸⁷⁵ / _{.874}	7 ⁷ / ₈	8 ⁷ / ₈
133	6	2	17 ¹ / ₂	21 ³ / ₈	35 ¹³ / ₁₆	13 ³ / ₁₆	19 ¹¹ / ₁₆	34 ³ / ₄	43 ¹ / ₁₆	16 ¹ / ₈	¹ / ₂	1 ³ / ₄	17 ⁷ / ₁₆	13
170	8	2 ¹ / ₂	23 ⁷ / ₈	27 ⁷ / ₈	35 ³ / ₄	15 ³ / ₄	18	44 ⁷ / ₈	52 ⁷ / ₈	19 ¹¹ / ₁₆	¹ / ₂	2 ¹ / ₈	22 ¹ / ₂	16
208	10	3 ⁵ / ₃₂	26 ⁷ / ₁₆	30 ¹¹ / ₁₆	43 ¹¹ / ₁₆	18 ¹¹ / ₁₆	20 ¹ / ₂	51 ¹⁵ / ₁₆	60 ⁹ / ₁₆	23 ³ / ₈	⁵ / ₈	2 ³ / ₈	27 ⁹ / ₁₆	23 ³ / ₈
268	12	3 ³ / ₄	26 ⁷ / ₁₆	30 ⁹ / ₈	48	22	24	51 ⁵ / ₁₆	60 ⁹ / ₈	26 ⁷ / ₁₆	⁵ / ₈	2 ³ / ₈	26 ¹³ / ₁₆	25 ⁵ / ₈
396	20	6	43 ⁷ / ₁₆	NA	82 ¹¹ / ₁₆	31 ¹ / ₂	39 ³ / ₈	89 ⁹ / ₁₆	NA	47 ¹¹ / ₃₂	1	4 ³ / ₄	35 ⁵ / ₁₆	39 ³ / ₈

* All dimensions in inches; NOT TO SCALE

This drawing is provided for arrangement only. Request factory certified drawing at time of order.

** Available in Cast Casing only - Not available with liner.



Proud Members Of



Warren Pumps Inc. • 82 Bridges Ave. • PO Box 969 • Warren, MA 01083-0969 USA

Ph. 413-436-7711 • Fax 413-436-5605 • www.warrenpumps.com • email: warrensales@colfaxcorp.com

WP 6/02 5M