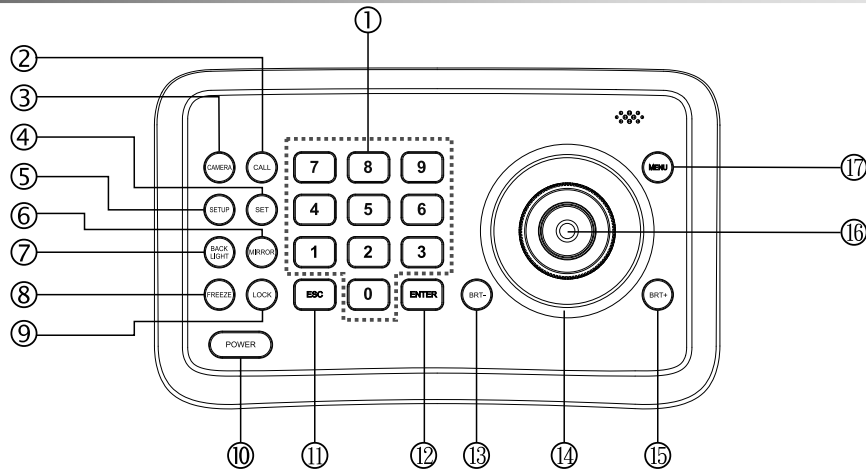


VS-K20 Quick Start Guide

⚠ Important

* Please visit our website <http://www.lumens.com.tw/support.php> to download latest version of User Manual and Quick Start Guide.

1. Introduction



- | | |
|----------------------------------|----------------------------|
| ① 0~9 (Numbers) | ⑩ Power switch |
| ② Call preset | ⑪ ESC |
| ③ Switch cameras | ⑫ Enter |
| ④ Set / Clear preset | ⑬ Decrease brightness |
| ⑤ Enter setup menu | ⑭ Joystick |
| ⑥ Mirror / Flip | ⑮ Increase brightness |
| ⑦ Turn On/Off camera's backlight | ⑯ Zoom / Focus switch key |
| ⑧ Freeze On/Off | ⑰ Turn On/Off camera's OSD |
| ⑨ Lock controller's keypad | |

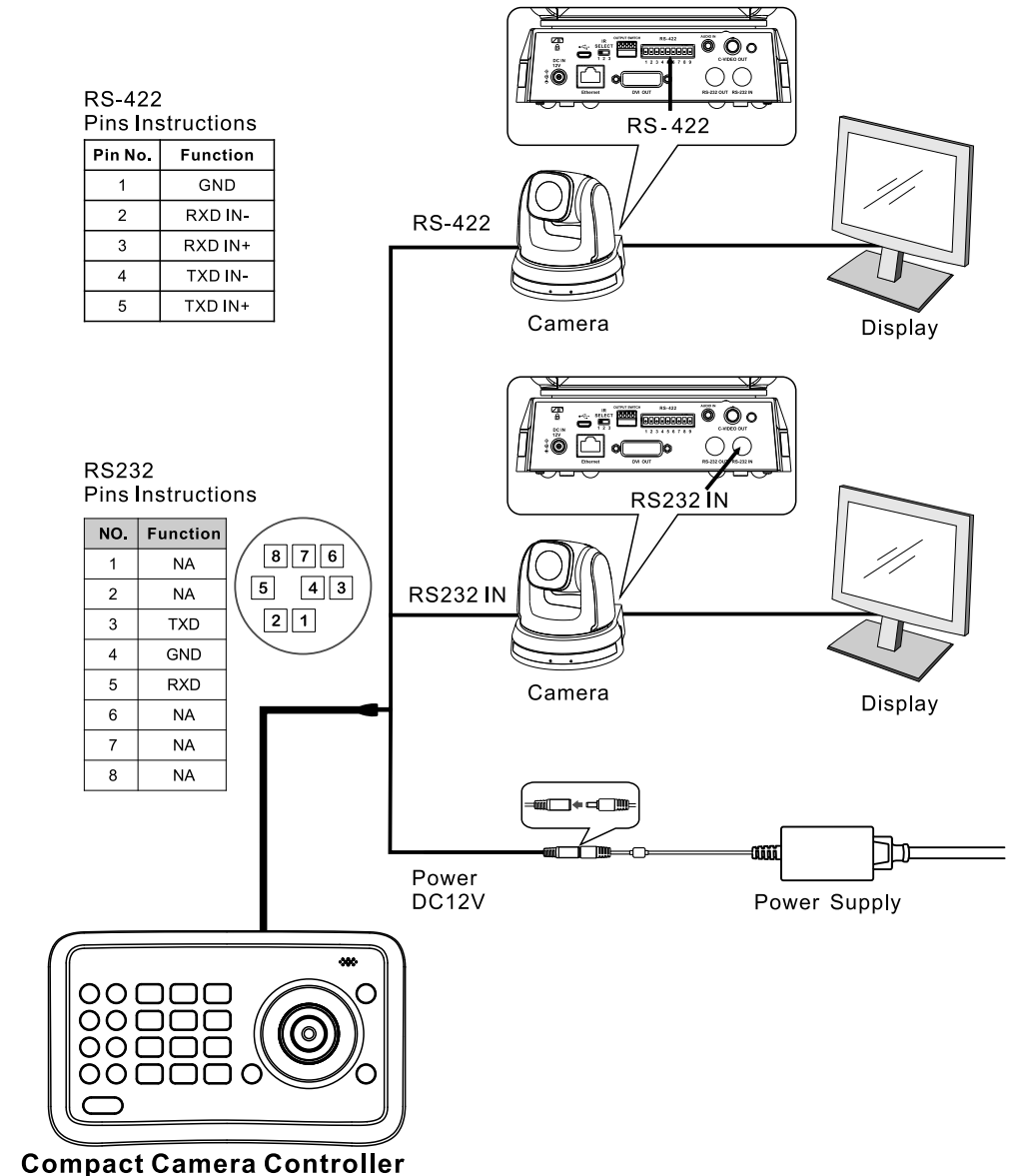
2. Connections

RS-422 Pins Instructions

| Pin No. | Function |
|---------|----------|
| 1 | GND |
| 2 | RXD IN- |
| 3 | RXD IN+ |
| 4 | TXD IN- |
| 5 | TXD IN+ |

RS232 Pins Instructions

| NO. | Function |
|-----|----------|
| 1 | NA |
| 2 | NA |
| 3 | TXD |
| 4 | GND |
| 5 | RXD |
| 6 | NA |
| 7 | NA |
| 8 | NA |



Compact Camera Controller