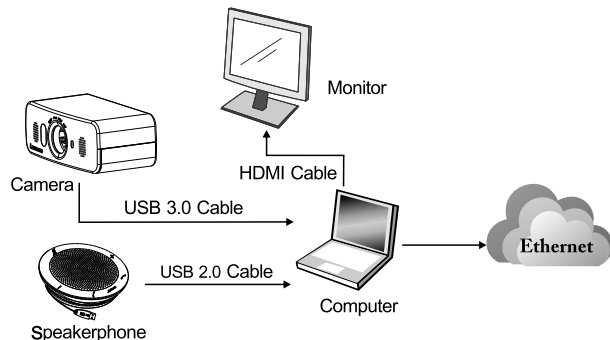


VC-B10U Quick Installation Guide

1. Installation and Connections

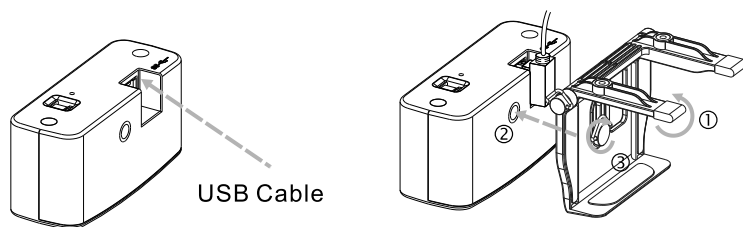
▼ Video Conference - Connecting to PC



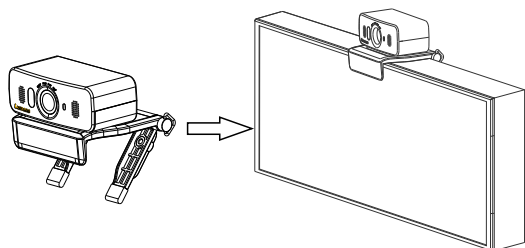
▼ Video Conference - Installing The TV Mounting on the Monitor

1. Connect to USB cable

2. Release the mounting clip stand. Align the stand knob with the locking hole on VC-B10U, and then secure the knob



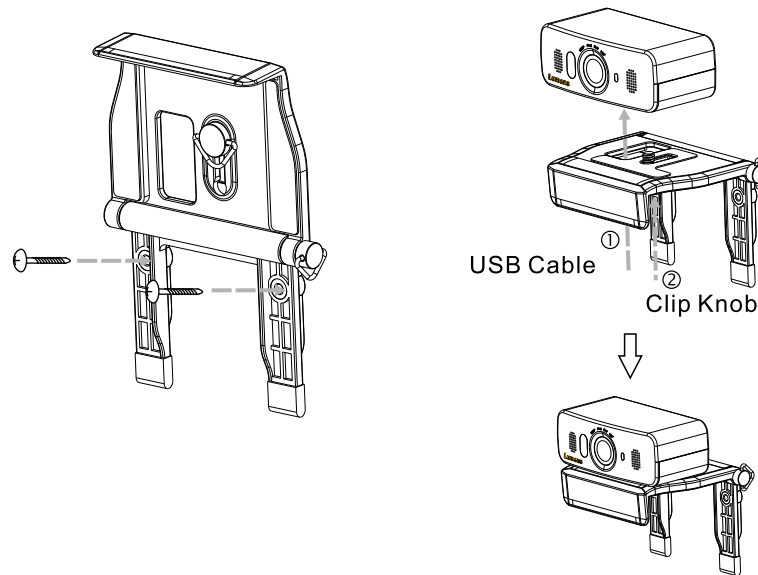
3. Place the TV mounting clip stand on the top of a TV set. Adjust angle and then secure the clip knob firmly to prevent from falling off



▼ Video Conference - Installing the Camera on the Wall

1. Use the accessory screws to fix the mounting clip stand on the wall

2. Connect to USB cable and then secure the clip knob firmly to prevent from falling off



2. Instruction on DIP SWITCH Setting

2.1 System Switch



Setting	Function Descriptions
DIP 1	Bulk / ISO Mode OFF : Bulk Mode / ON : ISO Mode
DIP 2	Power Frequency OFF : 60Hz / ON : 50Hz