

CL510 Quick Installation Guide

Lumens™

1. Instruction for Installation

1.1 Preparation before installation

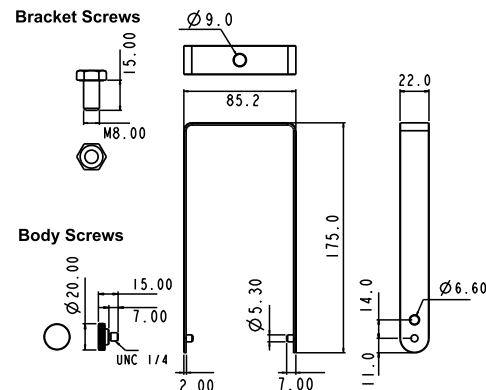
Installation and connection of CL510 ceiling camera requires special skills. To install by yourself, please follow necessary steps, ensure steady and tight installation of the device, and pay attention to your safety to avoid any accident.

- * Ensure the safety of the installation environment. Please do not install the device on unstable ceiling or in a place where the device is in danger of falling to avoid any accident.
- * Please check whether accessories in the box are complete or not. Please contact the supplier for any shortage, and make sure to keep the accessories in the box intact.
- * Please choose a proper place for installation of CL510 in advance. Please determine an installation place according to the following requirements:
 - ▶ Confirm the position for the object to be captured.
 - ▶ Calculate the height required for hanging the device according to the position of the object to be captured.
- * Please prepare the following tools for easy installation and shorter installation time:
 - ▶ Accessories of CL510 in the box.
 - ▶ Hanging parts (ceiling mounted hanger, screw for fixing the hanger 1/4-UNC x 4).
 - ▶ Drilling machine, screw driver.
 - ▶ Ladder.

2. Schematic diagram for the size of U-hanger and preparation before installation

2.1 Schematic diagram for the size of U-hanger

The installation personnel should prepare the screw hanger in compliance with the size of the hole used for securing the hanger. (The screw hanger should be bought separately.)

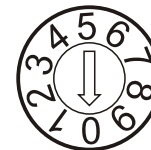


3. I would like to install CL510 on the ceiling

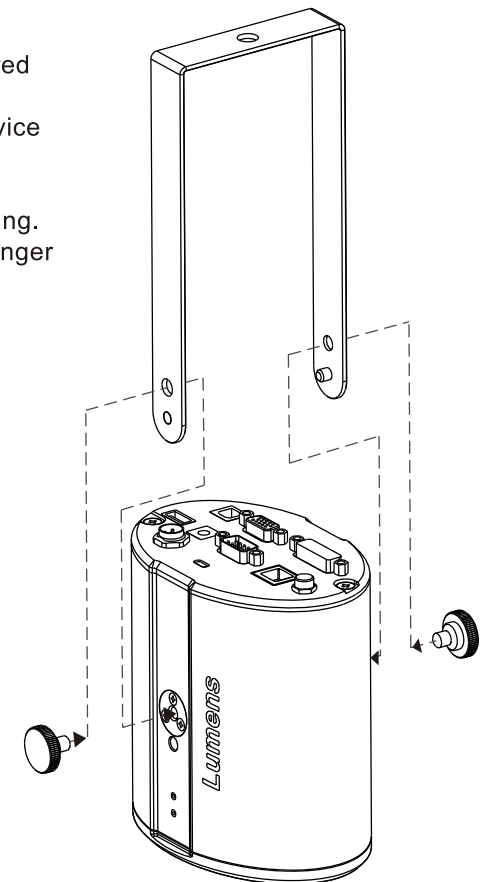
3.1 Installation steps

1. Adjust the **DIP SWITCH** to the desired output specifications
2. Assemble the U-hanger and the device using screws supplied.
3. Please follow the instruction for the screw hanger to install it on the ceiling.
4. Screw the device onto the screw hanger and complete the installation.

3.2 DIP Switch Setting



Setting	Output Mode
0	XGA(Default)
1	SXGA
2	WXGA
3	UXGA
4	1080P



4. Installation and setup before use

1. After the power is on, press **[MENU]** to enter the menu to adjust the power frequency.
 - * Please refer to [Appendix 1 of CL510 Installation Guide](#) for applicable frequency in various regions.
2. Press **[LASER]** on the remote control to enable the laser mark, and then press **[FREEZE]** → **[DEL]** → **[◀]** to enable the center positioning mark. To be positioned in the center point, use a cross point screw driver to adjust the knob so that the two marks overlap.
3. Open the Service Menu to set up the AF Table.
 - * For more operation instructions, please refer to [CL510 Installation Guide](#).