



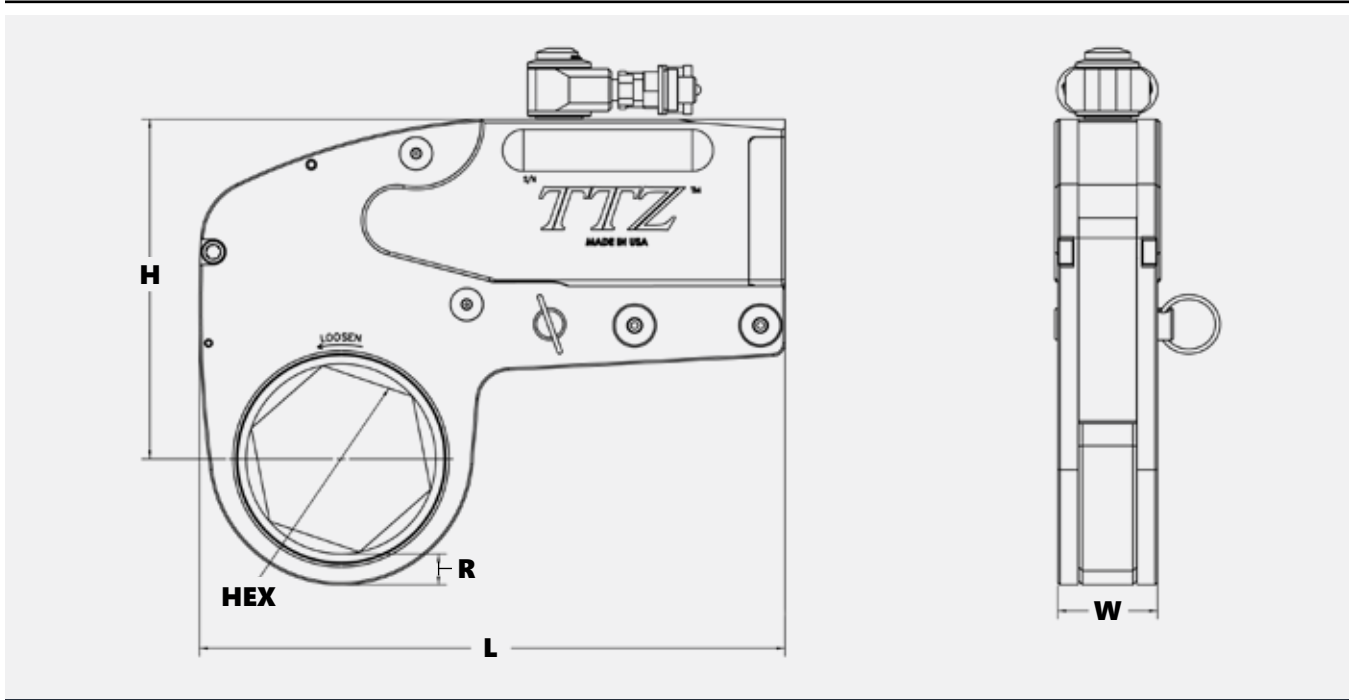
TTZ

Limited-Clearance Tool

FEATURES

- Multi-position hose couplers prevents hose interference on all jobs
- Simply connect hex links for quick and easy hex size changes
- Efficient design allows for simple and inexpensive repairs of internal parts
- Slim design allows tool to fit where a square drive tool can't
- Highest quality internal metals for durability and longevity
- Manufactured and assembled in the U.S.A. with supreme quality control

SPECIFICATIONS



LEGEND: H = HEIGHT L = LENGTH R = RADIUS W = WIDTH

Model	Units	H	W	L	R	Hex Range	Weight	Torque	
								MIN.	MAX.
TTZ - 2	in.	3.73	1.25	6.98	0.38	1 - 2.375	3.40 lbs.	259 ft.-lbs.	1,807 ft.-lbs.
	mm	95	32	177	10	24 - 60	1.54 kg	351 Nm	2450 Nm
TTZ - 4	in.	5.51	1.67	9.55	0.48	1.4375 - 3.125	7.30 lbs.	655 ft.-lbs.	4,538 ft.-lbs.
	mm	140	42	243	13	36 - 80	3.31 kg	887 Nm	6150 Nm
TTZ - 8	in.	6.53	2.10	11.67	0.64	2 - 3.875	11.60 lbs.	1,350 ft.-lbs.	9,000 ft.-lbs.
	mm	166	53	297	17	50 - 100	5.30 kg	1830 Nm	12200 Nm
TTZ - 14	in.	8.04	2.50	13.88	0.73	2.75 - 4.625	19.20 lbs.	2,062 ft.-lbs.	14,576 ft.-lbs.
	mm	204	64	353	19	70 - 120	8.70 kg	2795 Nm	19760 Nm
TTZ - 20	in.	8.87	3	10.93	0.92	2.75 - 6	24.50 lbs.	3,088 ft.-lbs.	21,458 ft.-lbs.
	mm	225	73	278	23	79 - 136	11.11 kg	4187 Nm	29093 Nm
TTZ - 30	in.	10.95	3.75	13.89	1.00	3.125 - 7.625	39.30 lbs.	5,394 ft.-lbs.	36200 ft.-lbs.
	mm	278	76	353	25	85 - 165	17.82 kg	7313 Nm	49081 Nm

NOTE:

All tools and pumps are subject to a 13-months free repair/replacement guaranty in the event of failure. Data subject to change without notice.