



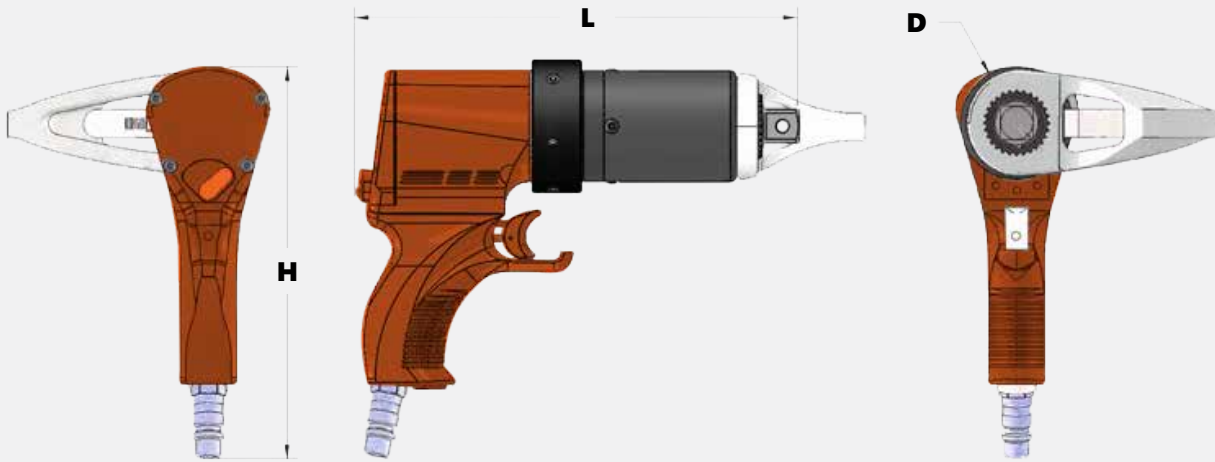
TTP-DS

Dual-Speed Torque Gun

FEATURES

- Calibrated torque output up to 5,000 ft.-lbs.
- Quickly switch from fast rundown to accurate torque
- Fixtures available for all challenging applications
- Built to withstand heavy use in all industries
- Industry-leading power-to-weight ratio
- Compatible with the TORC FRL (Filter/Regulator/Lubricator) Unit (sold separately)
- Compatible with the TORC FRL-S (Optional Silencer) Unit (sold separately)

SPECIFICATIONS



LEGEND: H = HEIGHT L = LENGTH D = DIAMETER W = WIDTH

Model	Units	H	W	L	D	Drive	Weight	Torque	
								MIN.	MAX.
TTP – DS1	in.	7.40	2.58	10.76	2.99	.75	9.70 lbs	312 ft-lbs	1,272 ft-lbs
	mm	188	66	273	76	19	4.40 kg	423 Nm	1725 Nm
TTP – DS3	in.	7.50	3.25	12.48	3.19	1	12.00 lbs	830 ft-lbs	3,072 ft-lbs
	mm	191	83	317	81	25	5.44 kg	1125 Nm	4165 Nm
TTP – DS5	in.	8.42	4.15	14.65	4.48	1.5	22.50 lbs	1,215 ft-lbs	5,007 ft-lbs
	mm	214	105	372	114	38	10.20 kg	1647 Nm	6789 Nm

NOTE:

All tools and pumps are subject to a 13-months free repair/replacement guaranty in the event of failure. Data subject to change without notice.