



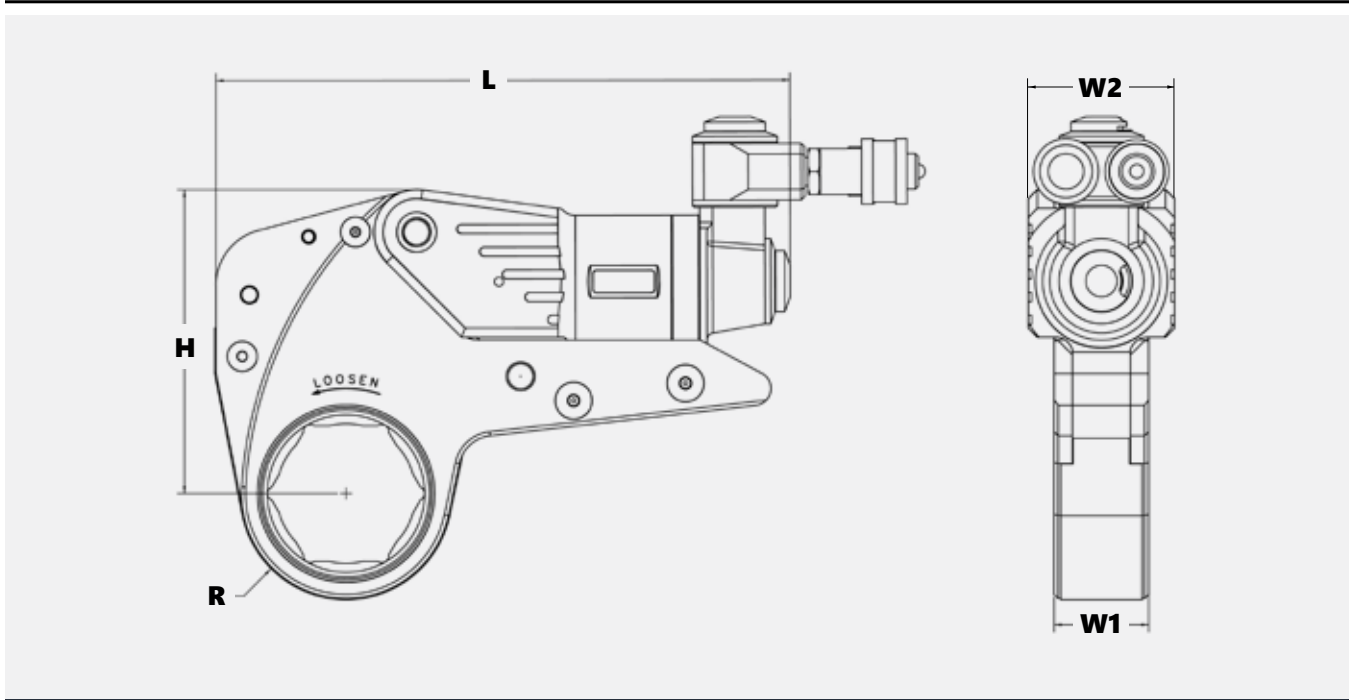
TTL

Limited-Clearance Tool

FEATURES

- The most frequently used limited-clearance torque wrench in the world
- Built to withstand the rigors of daily use in heavy industry
- Versatility allows for use with hex, 12-point, castle-nut sockets, etc.
- Seven models with torque output up to 59,110 ft.-lbs.
- Uniswivel technology for free movement and positioning of tool and hoses
- Available with TORC Square Drive Conversion Link for use with hex and allen sockets

SPECIFICATIONS



LEGEND: H = HEIGHT L = LENGTH R = RADIUS W = WIDTH

Model	Units	H	W1	W2	L	R	Hex Range	Weight (w/o link)	Torque	
									MIN.	MAX.
TTL – 2	in.	4.02	2.00	1.25	7.33	1.03	.75 – 2.9375	2.05 lbs.	243 ft.-lbs.	1,687 ft.-lbs.
	mm	102	51	32	186	26	19 – 75	0.93 kg	329 Nm	2287 Nm
TTL – 4	in.	5.36	2.58	1.67	10.06	1.32	1.4375 – 3.5	4.25 lbs.	580 ft.-lbs.	3,855 ft.-lbs.
	mm	136	66	42	256	34	37 – 89	1.93 kg	786 Nm	5227 Nm
TTL – 8	in.	6.69	3.23	2.09	12.08	1.78	2 – 3.875	7.15 lbs.	1,142 ft.-lbs.	8,149 ft.-lbs.
	mm	170	82	53	307	45	51 – 98	3.24 kg	1548 Nm	11049 Nm
TTL – 14	in.	8.04	3.88	2.50	14.14	2.62	2.75 – 4.625	11.30 lbs.	2,010 ft.-lbs.	13,398 ft.-lbs.
	mm	204	99	64	359	67	70 – 117	5.13 kg	2725 Nm	18165 Nm
TTL – 18	in.	9.08	4.38	2.83	14.41	2.58	2.75 – 6	14.85 lbs.	2,676 ft.-lbs.	17,843 ft.-lbs.
	mm	231	111	72	366	66	70 – 152	6.74 kg	3628 Nm	24192 Nm
TTL – 30	in.	10.71	5.17	3.35	16.80	3.02	3.125 – 7.625	23.80 lbs.	4,578 ft.-lbs.	30,982 ft.-lbs.
	mm	272	131	85	427	77	79 – 194	10.80 kg	6207 Nm	42006 Nm
TTL – 45	Please call for more information, 1-888-444-TORC.									
TTL – 60	Please call for more information, 1-888-444-TORC.									

NOTE:

All tools and pumps are subject to a 13-months free repair/replacement guaranty in the event of failure. Data subject to change without notice.