

CV-10P

... ; A zd

: MS58

DN15 (1/2") – DN100 (4")

6

DN ()	
15-100	1/2" - 4"

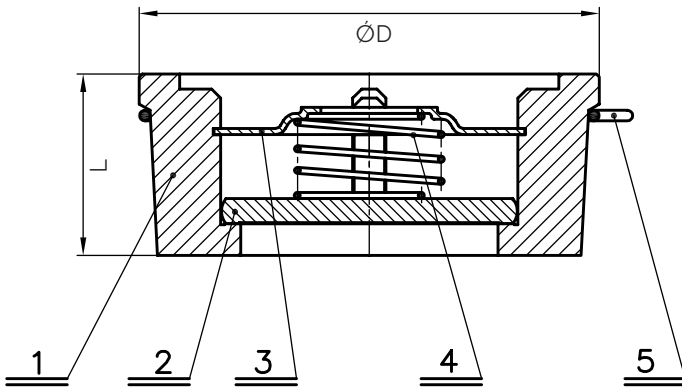
ÇV-10P	
BS 10	D, E, F
DIN 2501 (pN 6/10/16)	
ANSI B 16.1	125 FF

WEIGHTS									
Connection Type	Flanged								
Diameter (mm)	15	20	25	32	40	50	65	80	100
Weight (kg)	0,09	0.12	0.19	0.36	0.55	0.95	1.26	2.18	3.26

Can be install every direction.

CV-10P DISCO CHECK VALVE / BRASS

The curves given in the chart are valid for water at 20°C.
 To read the pressure drop for other fluids the equivalent water volume flow rate must be calculated and used in the graph.
 The values indicated in the chart are applicable to spring-loaded valves with horizontal flow.

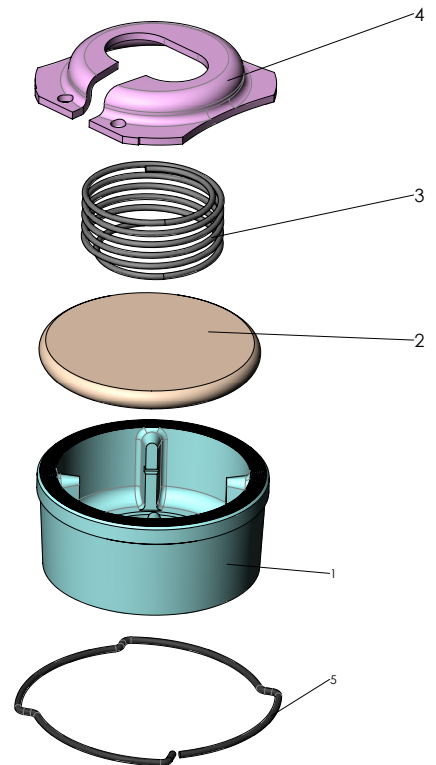
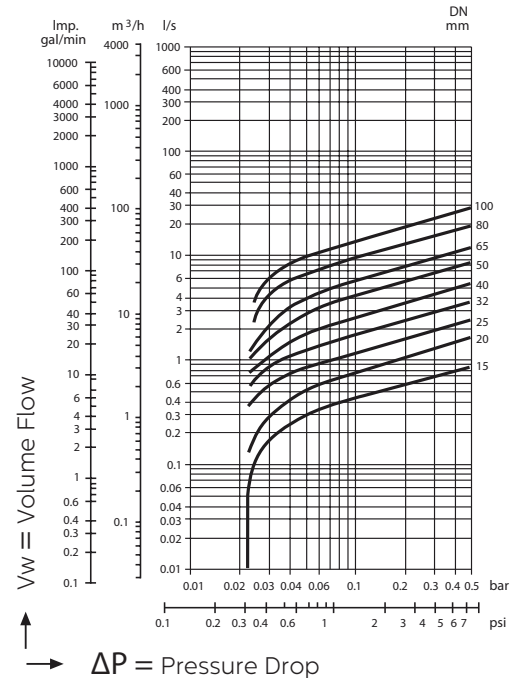


SPARE PARTS		CV 10/P
1	Body	MS58 Brass
2	Disc	Stainless Steel
3	Spring Press Segment	Stainless Steel
4	Disc Press Segment	Stainless Steel
5	Centering Cylinder	Stainless Steel

DIMENSIONS										
Dia. mm	15	20	25	32	40	50	65	80	100	
L (mm)	16	19	21	27	31	40	46	50	60	
D (mm)	39	46	54	70	80	96	113	130	150	

OPEN PRESSURE MBAR				
DN	Flow Direction			
	Without Spring ↑	↑	⇒	↓
15	2.5	25	22.5	20
20	2.5	25	22.5	20
25	2.5	25	22.5	20
32	3.5	27	23.5	20
40	4	28	24	20
50	4.5	29	24.5	20
65	5	30	25	20
80	5.5	31	25.5	20
100	6.5	33	26.5	20

Pressure Drop Chart



HEAD OFFICE - FACTORY

Atatürk Sanayi Bölgesi Hadımköy Mahallesi Mustafa İnan Caddesi No: 44 Arnavutköy - İSTANBUL
 Tel: +90 212 771 01 45 (pbx) | Fax: +90 212 771 47 27
 info@ayvaz.com | www.ayvaz.com

Caserta/Italy

Tel: +39 0823 187 3988
 rmolaro@ayvaz.com

Moscow/Russia

Tel: +74959951728
 ayvazrus@ayvaz.com

Viernheim/Germany

Tel: +49 62046014399
 germany@ayvaz.com

Kiev/Ukraine

Tel: +380 44 390 57 57
 info@ayvaz.com.ua

Warsaw/Poland

Tel: +48-32-783-295-1
 tricorr@tricorr.eu

Dubai/U.A.E

Tel: +971 563550822
 +971 501306871
 mideast@ayvaz.com

Cixi City/China

Tel: +86 574-58973851
 info@ayvazchina.com

Kazakhstan

Tel: +7 (701) 066 066 1
 +90 (533) 760 34 66
 celyas@ayvaz.com

Ispereh/Bulgaria

Tel: +359 8431 27 32
 office@ayvaz-n.eu

Belgrad/Serbia

Tel: +381 61 658 70 52
 yakbiyik@ayvaz.com