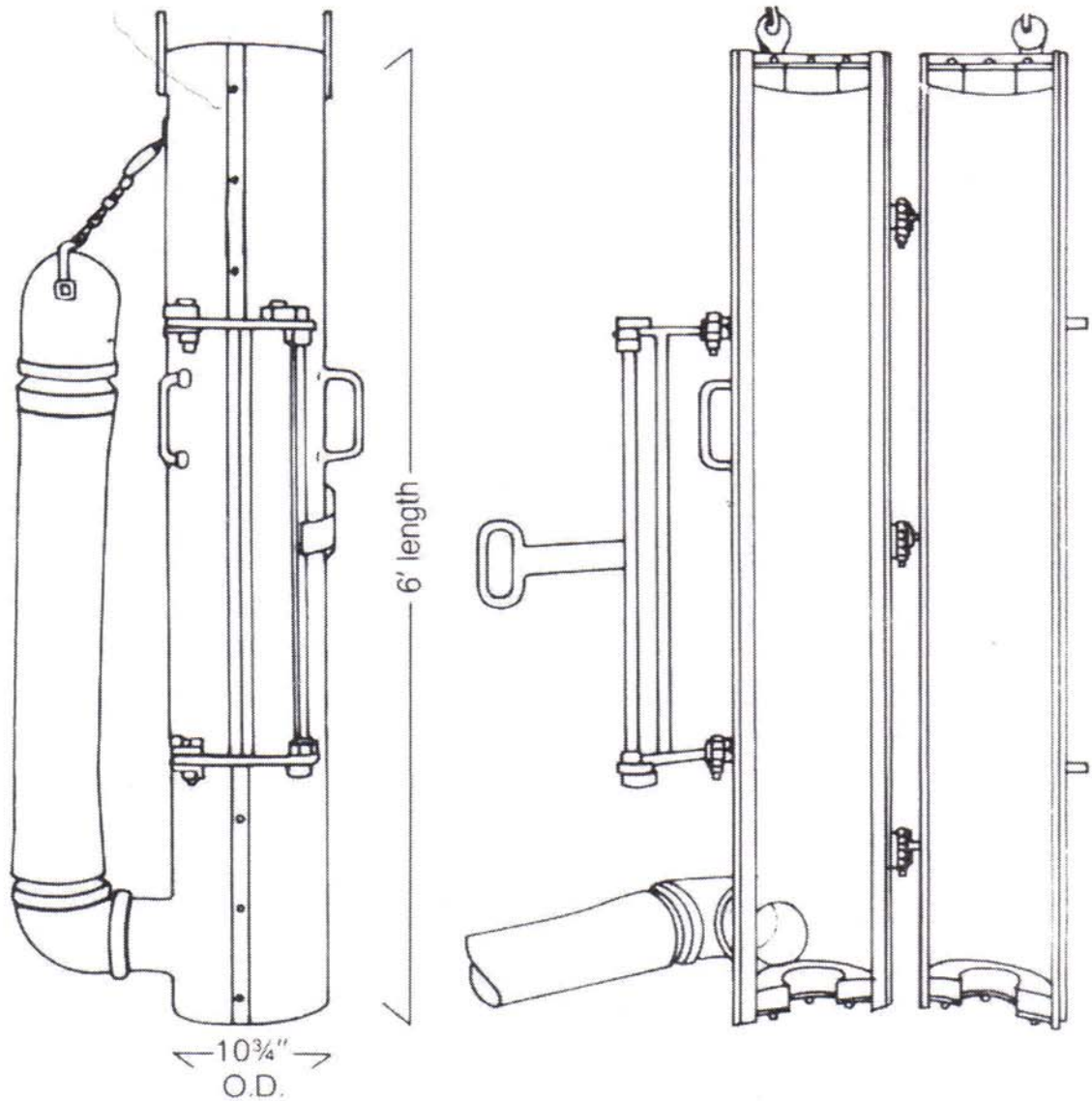




**OTECo  
MUD GUARD  
PARTS  
MANUAL**

# Mud Guard MG-600



Complete Mud Guard  
(for drill pipe)

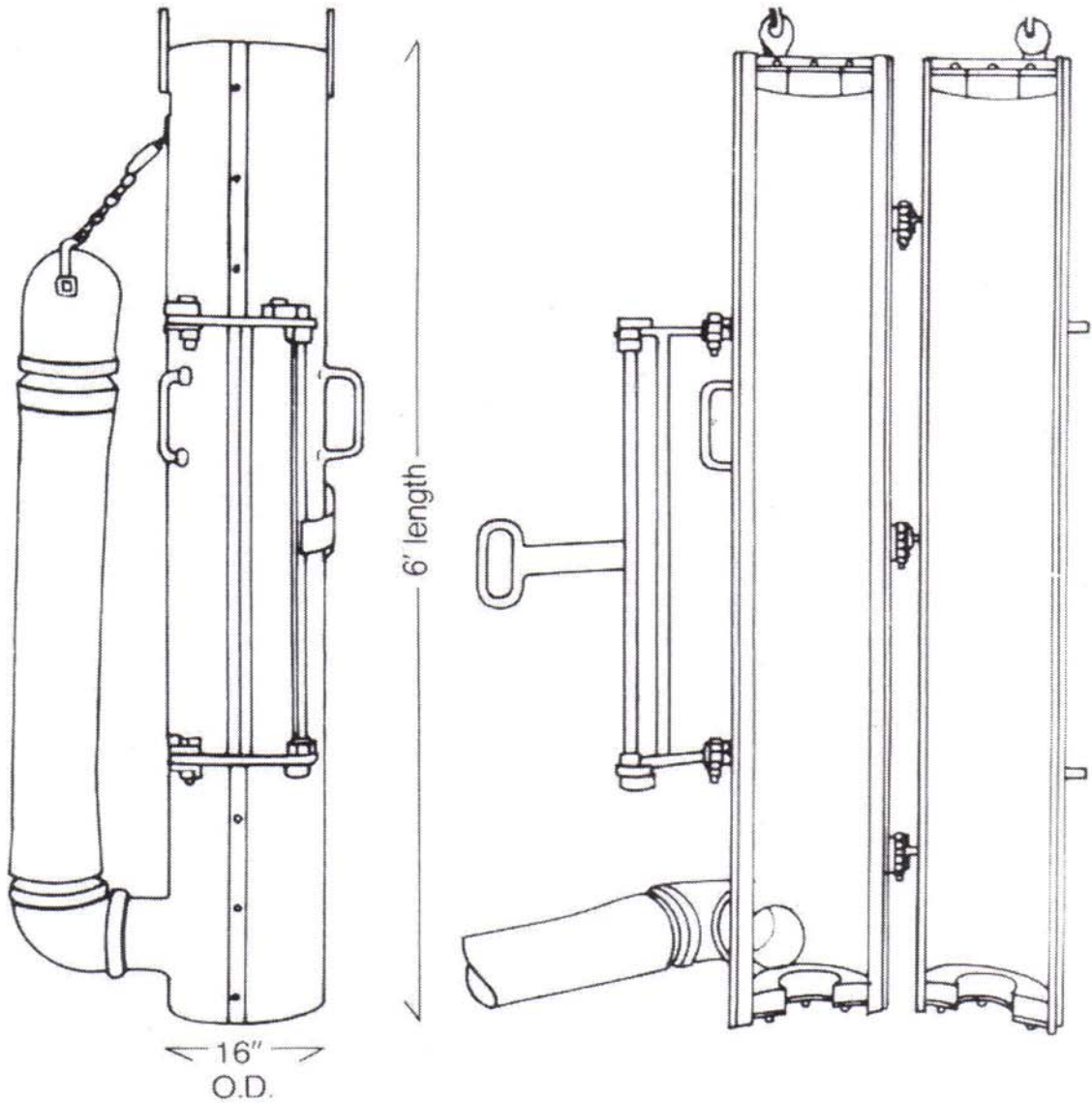
## **OTECO Mud Guard**

- + Saves the loss of expensive drilling muds
- + Cuts labor costs in washdown time on rig floor
- + Reduces potential for accidents due to slippery rig floors
- + Manufactured in OTECO's own plant from durable neoprene (CR) compounds, standard. Nitrile (NBR) available on request.

**To order:** Specify 1) Description including descriptive number  
2) OTECO Part Number

Item number	Description	WEIGHT
433610	RH,MG600,ASSY,2.37,CR	325.0#
433611	RH,MG600,ASSY,2.87,CR	325.0#
433613	RH,MG600,ASSY,3.50,CR	325.0#
433614	RH,MG600,ASSY,4.00,CR	325.0#
433615	RH,MG600,ASSY,4.50,CR	325.0#
433616	RH,MG600,ASSY,5.00,CR	325.0#
433617	RH,MG600,ASSY,5.50,CR	325.0#
433620	RH,MG600,ASSY,2.37,NBR	325.0#
433621	RH,MG600,ASSY,2.87,NBR	325.0#
433623	RH,MG600,ASSY,3.50,NBR	325.0#
433624	RH,MG600,ASSY,4.00,NBR	325.0#
433625	RH,MG600,ASSY,4.50,NBR	325.0#
433626	RH,MG600,ASSY,5.00,NBR	325.0#
433627	RH,MG600,ASSY,5.50,NBR	325.0#
433630	RH,MG,MUD,ENDSL ST,601,2.37CR	12.5#
433631	RH,MG,MUD,ENDSL ST,601,2.87,CR	12.5#
433633	RH,MG,MUD,ENDSL ST,601,3.50CR	12.5#
433634	RH,MG,MUD,ENDSL ST,601,4.00CR	12.5#
433635	RH,MG,MUD,ENDSL ST,601,4.50CR	12.5#
433636	RH,MG,MUD,ENDSL ST,601,5.00CR	12.5#
433637	RH,MG,MUD,ENDSL ST,601,5.50CR	12.5#
433640	RH,MG,MUD,ENDSL ST,601,2.37NBR	12.5#
433641	RH,MG,MUD,ENDSL ST,601,2.87NBR	12.5#
433643	RH,MG,MUD,ENDSL ST,601,3.50NBR	12.5#
433644	RH,MG,MUD,ENDSL ST,601,4.00NBR	12.5#
433645	RH,MG,MUD,ENDSL ST,601,4.50NBR	12.5#
433646	RH,MG,MUD,ENDSL ST,601,5.00NBR	12.5#
433647	RH,MG,MUD,ENDSL ST,601,5.50NBR	12.5#
433602	RH,MG,MUD,SIDE SL ST,602,CR	4.6#
433652	RH,MG,MUD,SIDE SL ST,602,NBR	4.6#
433603	RH,MG,DISCHRG HOSE,603,5" (42" LONG)	21.3#
433604	RH,MG,MUD,ELL W/O CHAIN,604,5"	21.0#
433605	RH,MG,MUD,ELL W/ CHAIN,605,5"	22.3#
433606	RH,MG,MUD,MTL SL BRKT ST,606	7.0#
433607	RH,MG,MUD,N&B ST,F/SIDE SL,607	0.8#
433608	RH,MG,MUD,N&B ST,F/ENDSL,608	1.6#

# Mud Guard MG-800



Complete Mud Guard  
(for drill pipe)

## **OTECO Mud Guard**

- + Designed to handle pipe 5½" and larger (Smaller sizes also available)
- + Designed to handle additional volume of mud
- + Saves the loss of expensive drilling muds
- + Cuts labor costs in washdown time on rig floor
- + Reduces potential for accidents due to slippery rig floors
- + Manufactured in OTECO's own plant from durable neoprene (CR) compounds, standard. Nitrile (NBR) available on request.

**To order:** Specify 1) Description including descriptive number  
2) OTECO Part Number

Item number	Description	WEIGHT
433810	RH,MG800,ASSY,2.37,CR	529.0#
433811	RH,MG800,ASSY,2.87,CR	529.0#
433813	RH,MG800,ASSY,3.50,CR	529.0#
433814	RH,MG800,ASSY,4.00,CR	529.0#
433815	RH,MG800,ASSY,4.50,CR	529.0#
433816	RH,MG800,ASSY,5.00,CR	529.0#
433817	RH,MG800,ASSY,5.50,CR	529.0#
433818	RH,MG800,ASSY,6.62,CR	529.0#
433820	RH,MG800,ASSY,2.37,NBR	529.0#
433821	RH,MG800,ASSY,2.87,NBR	529.0#
433822	RH,MG800,ASSY,3.00,NBR	529.0#
433823	RH,MG800,ASSY,3.50,NBR	529.0#
433824	RH,MG800,ASSY,4.00,NBR	529.0#
433825	RH,MG800,ASSY,4.50,NBR	529.0#
433826	RH,MG800,ASSY,5.00,NBR	529.0#
433827	RH,MG800,ASSY,5.50,NBR	529.0#
433828	RH,MG800,ASSY,6.62,NBR	529.0#
433830	RH,MG,MUD,ENDSL ST,801,2.37CR	28.0#
433831	RH,MG,MUD,ENDSL ST,801,2.87CR	28.0#
433833	RH,MG,MUD,ENDSL ST,801,3.50CR	28.0#
433834	RH,MG,MUD,ENDSL ST,801,4.00CR	28.0#
433835	RH,MG,MUD,ENDSL ST,801,4.50CR	28.0#
433836	RH,MG,MUD,ENDSL ST,801,5.00CR	28.0#
433837	RH,MG,MUD,ENDSL ST,801,5.50CR	28.0#
433946	RH,MG,MUD,ENDSL ST,801,5.88CR	28.0#
433838	RH,MG,MUD,ENDSL ST,801,6.62CR	28.0#
433840	RH,MG,MUD,ENDSL ST,801,2.37NBR	28.0#
433841	RH,MG,MUD,ENDSL ST,801,2.87NBR	28.0#
433843	RH,MG,MUD,ENDSL ST,801,3.50NBR	28.0#
433844	RH,MG,MUD,ENDSL ST,801,4.00NBR	28.0#
433845	RH,MG,MUD,ENDSL ST,801,4.50NBR	28.0#
433846	RH,MG,MUD,ENDSL ST,801,5.00NBR	28.0#
433847	RH,MG,MUD,ENDSL ST,801,5.50NBR	28.0#
433945	RH,MG,MUD,ENDSL ST,801,5.88NBR	28.0#
433848	RH,MG,MUD,ENDSL ST,801,6.62NBR	28.0#
433602	RH,MG,MUD,SIDE SL ST,602,CR	4.6#
433652	RH,MG,MUD,SIDE SL ST,602,NBR	4.6#
433803	RH,MG,DISCHRG HOSE,803,6"(42" LONG)	33.0#
433804	RH,MG,MUD,ELL W/O CHAIN,804,6"	22.0#
433805	RH,MG,MUD,ELL W/ CHAIN,805,6"	25.0#
433606	RH,MG,MUD,MTL SL BRKT ST,606	7.0#
433607	RH,MG,MUD,N&B ST,F/SIDE SL,607	0.8#
433808	RH,MG,MUD,N&B ST,F/ENDSL,808	5.8#