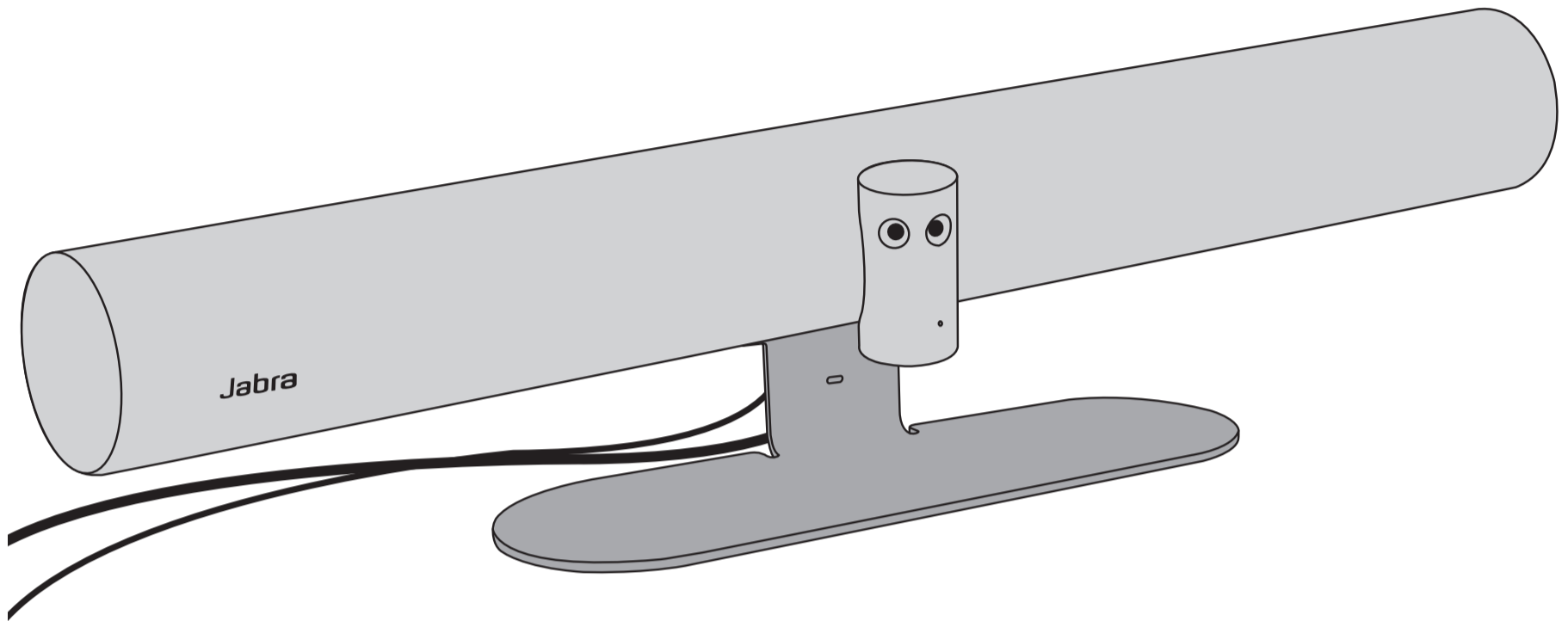
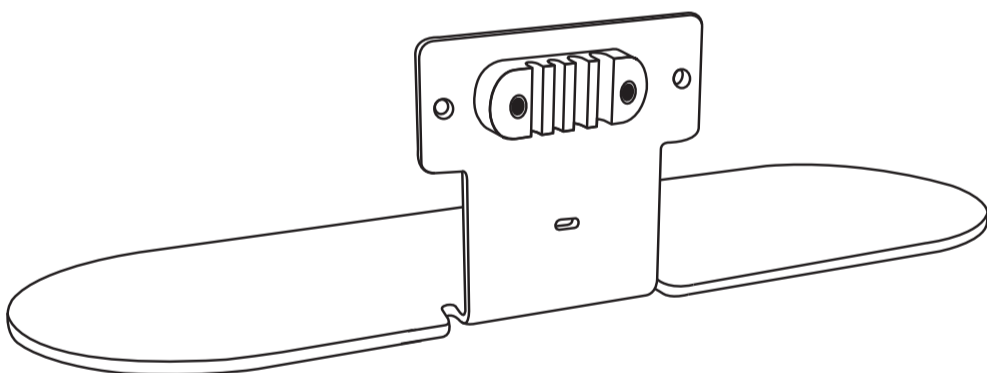


# PanaCast 50

## Table stand



### Table stand and cable organizer



### Screws

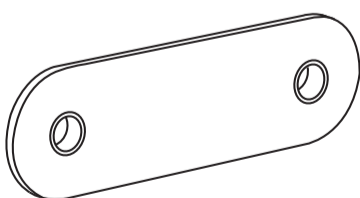


M3x10  
(2pcs)

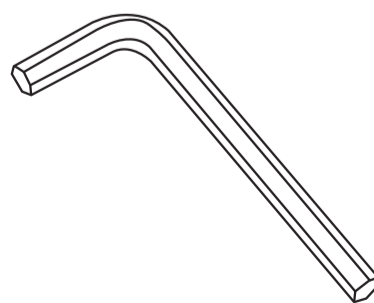


M5x12  
(2pcs)

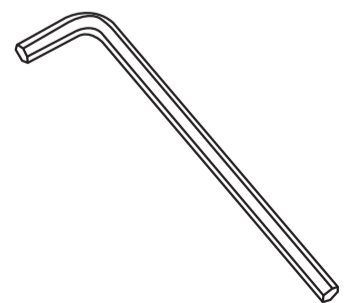
### Table stand cable lid



### Hex keys



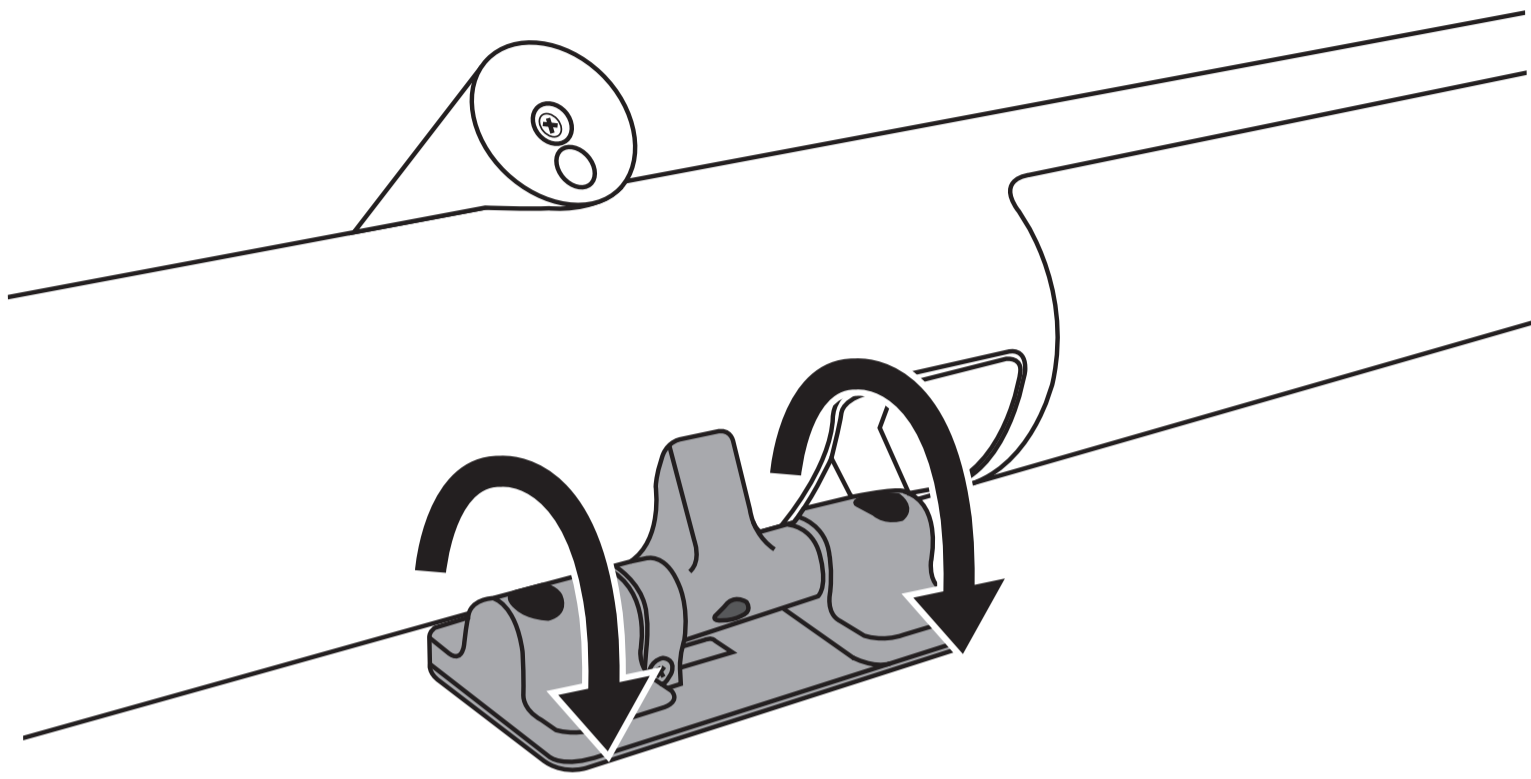
4mm



2.5mm

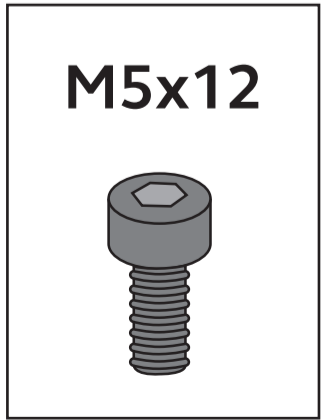
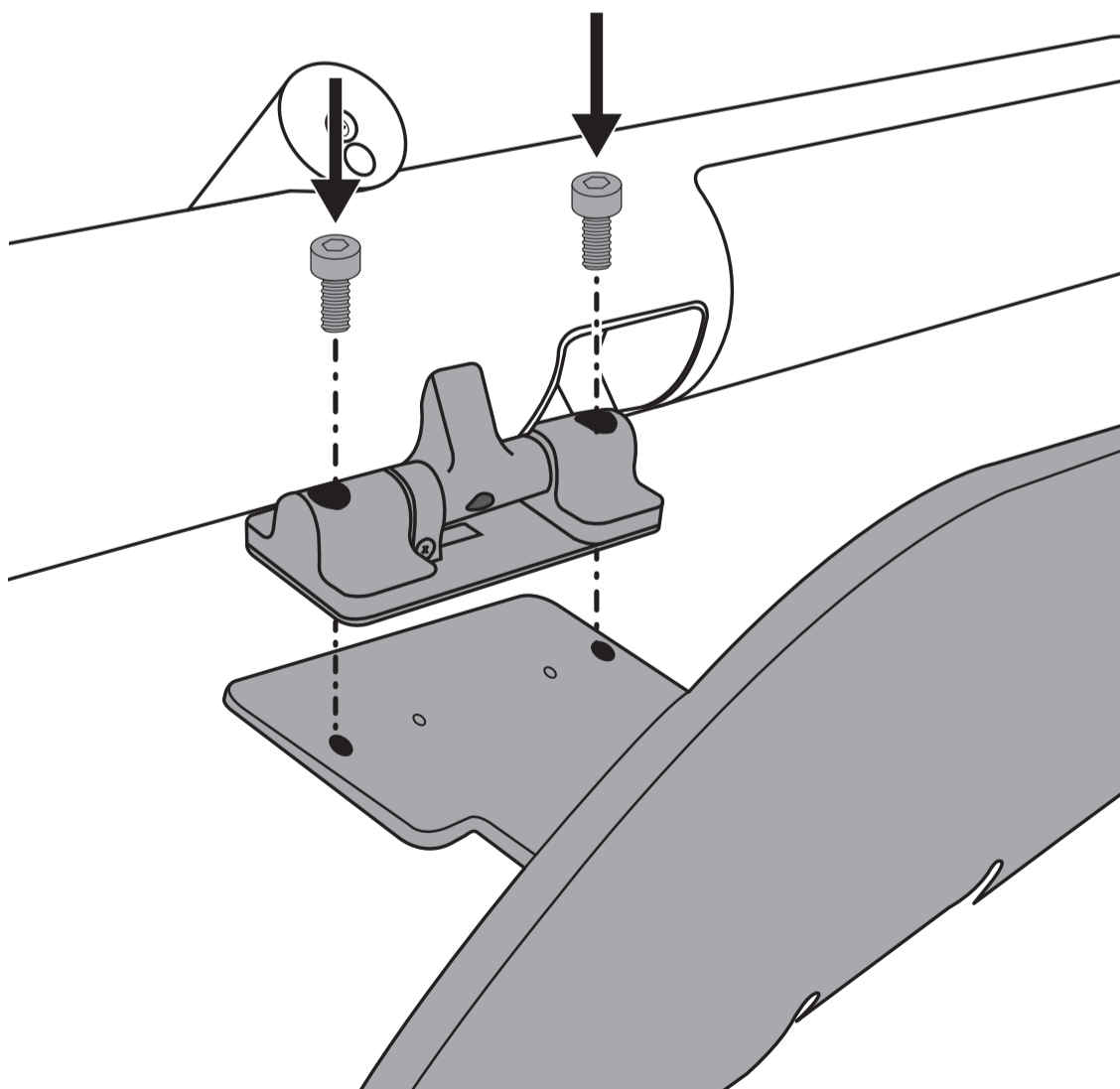
1

Tilt the hinge on the PanaCast 50 for easy access to the screw holes.



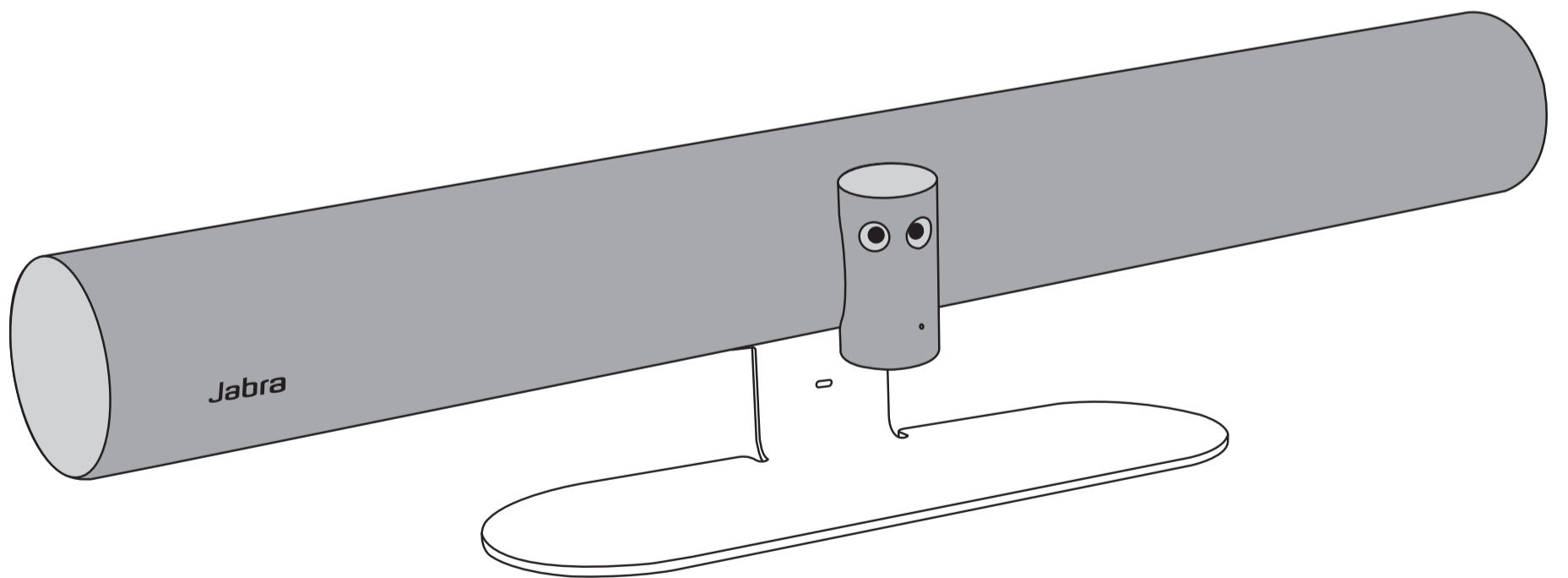
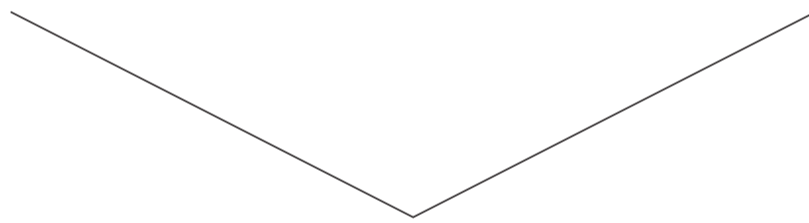
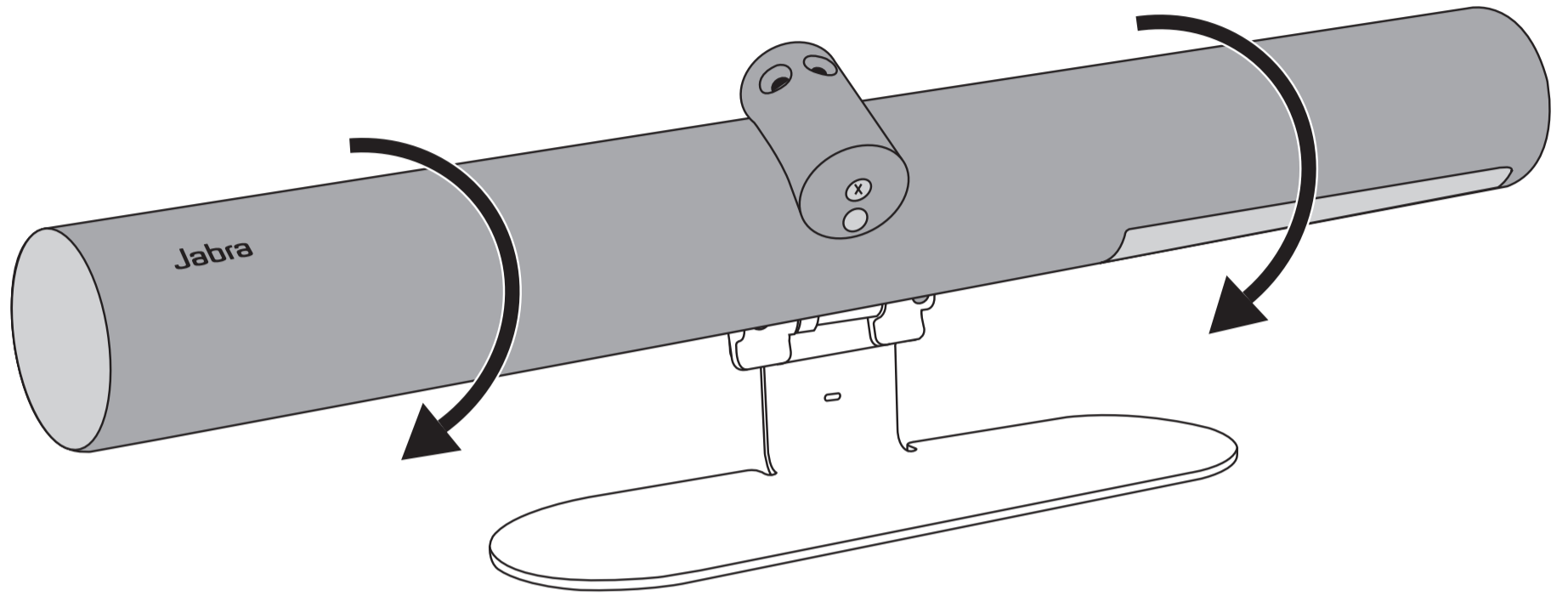
2

Screw the PanaCast 50 to the table stand using the supplied **M5x12 screws** and a **4mm hex key**.



3

Rotate the PanaCast 50 into its final position and ensure it is angled to the eye-level of meeting room participants.



4

Use the cable organizer to keep the cables neat and tidy. The thickest cables should be positioned on the right.

