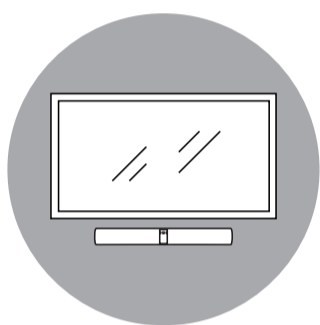
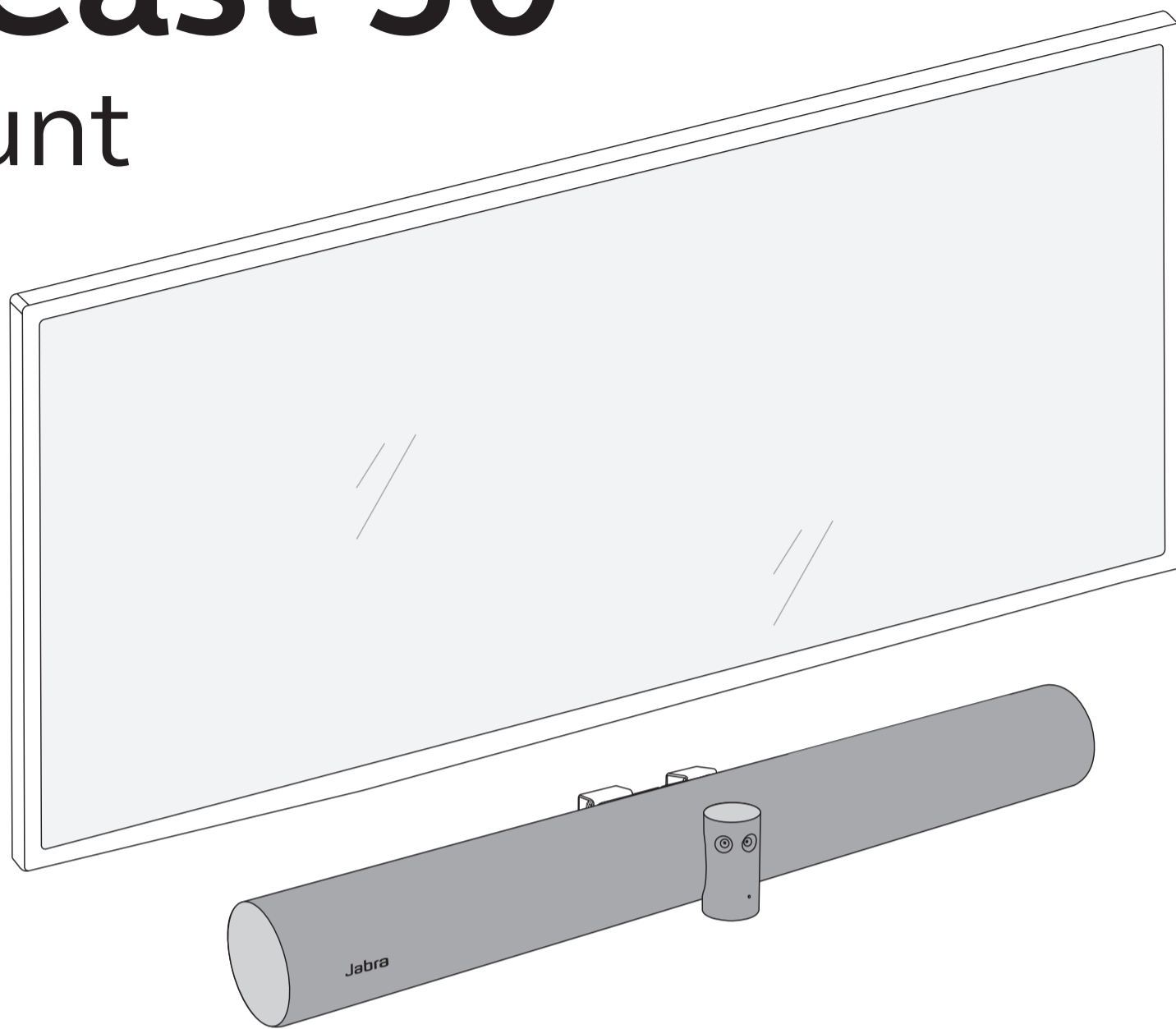


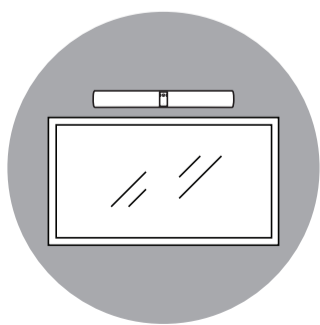
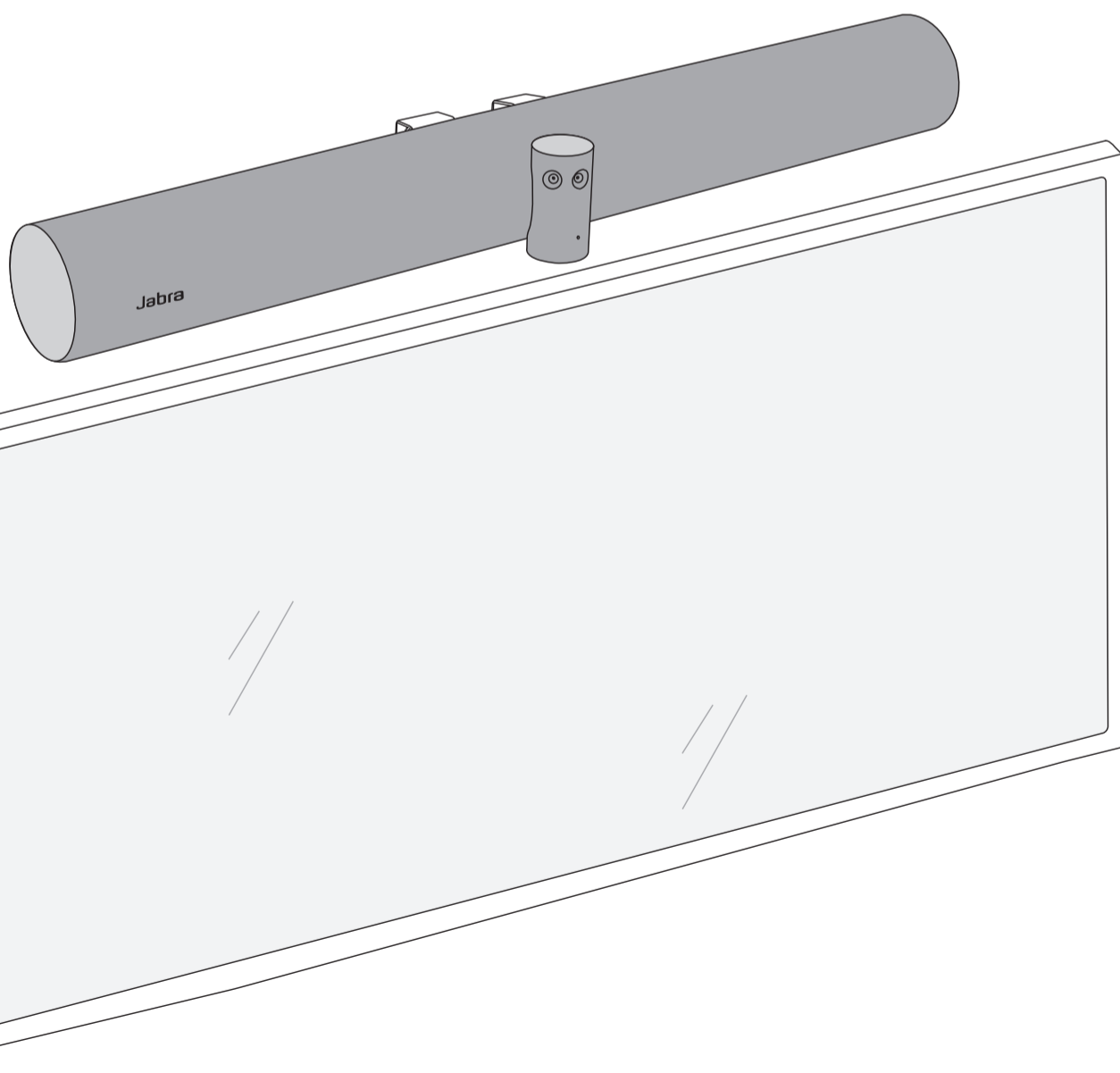
# PanaCast 50

## Wall mount



**Install below screen**

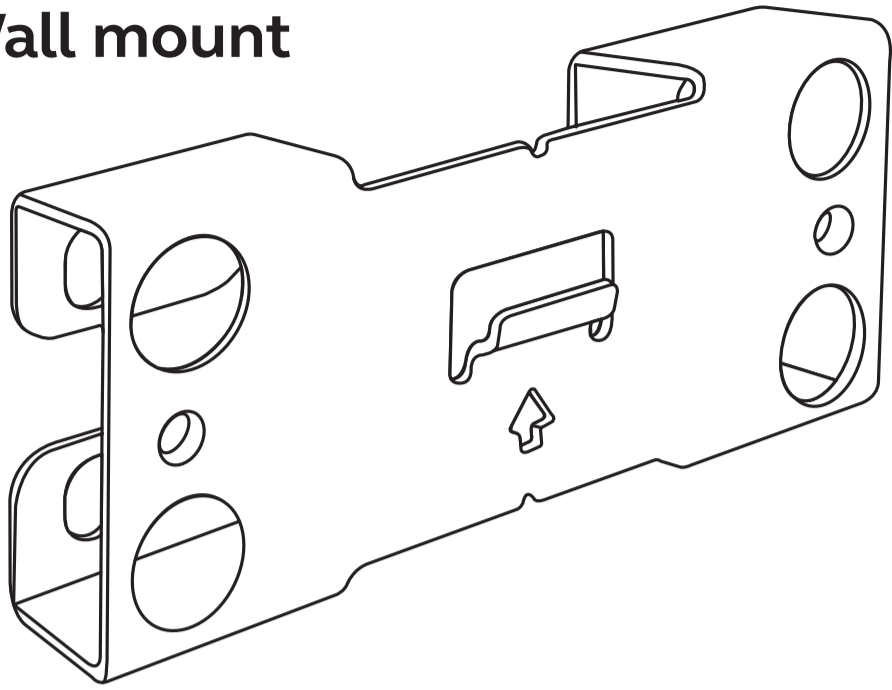
Start from page 1 →



**Install above screen**

Start from page 6 →

## Wall mount

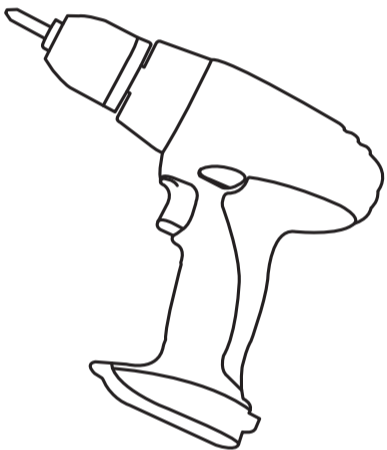


## Screws

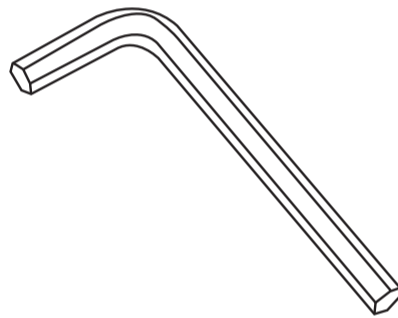


M5x12  
(2pcs)

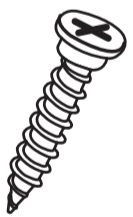
## Tools needed (not supplied in the pack)



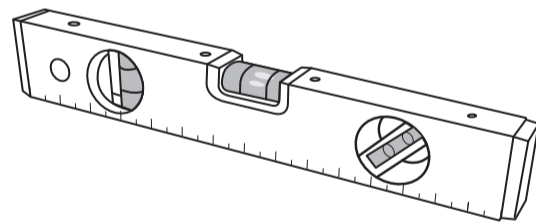
*Drill*



*4mm hex key*



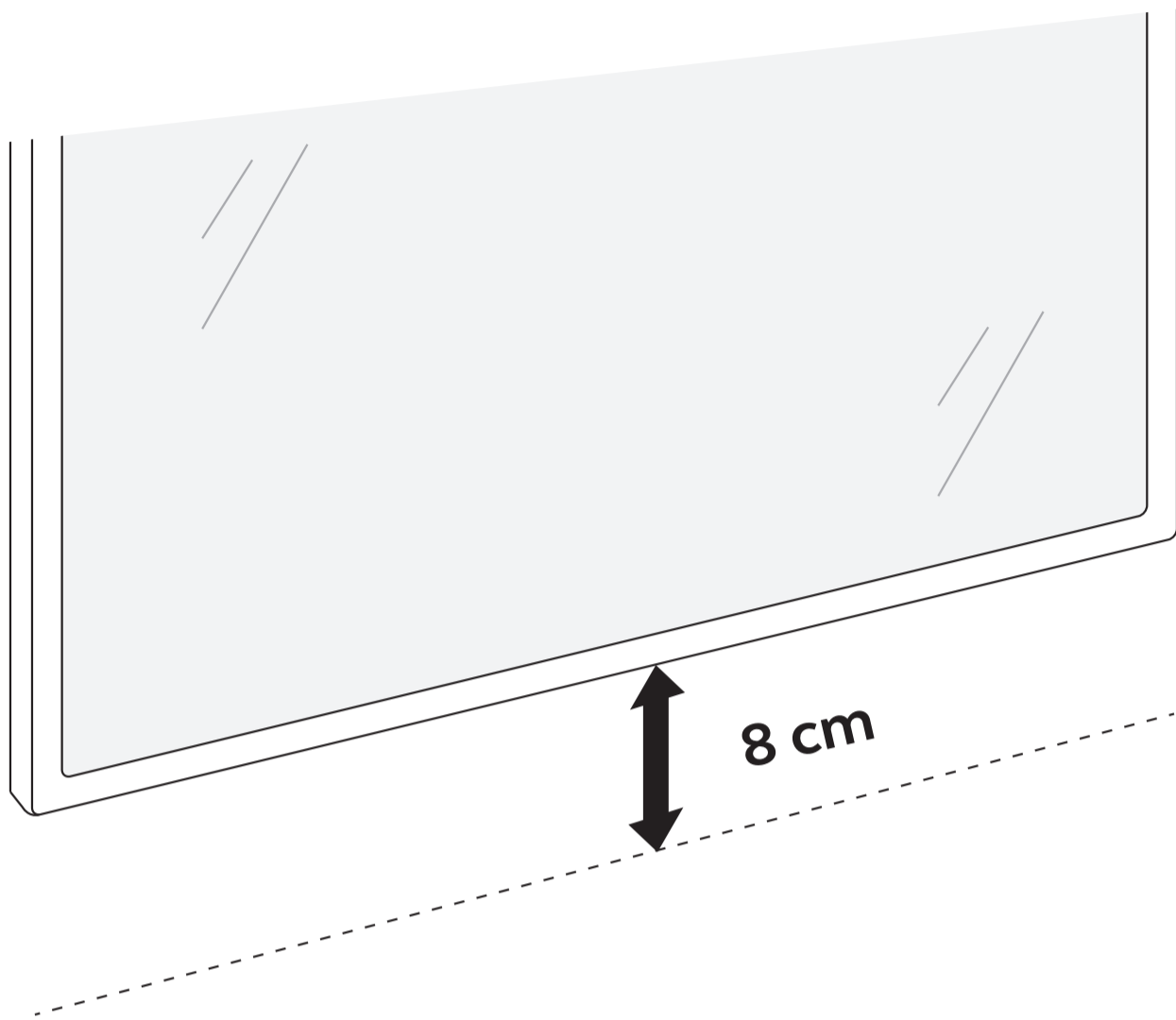
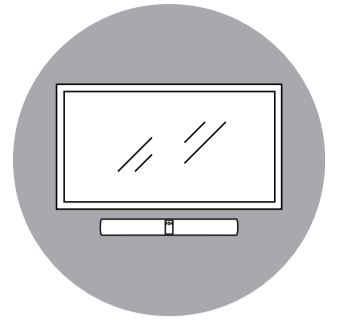
*Wall screws*



*Level*

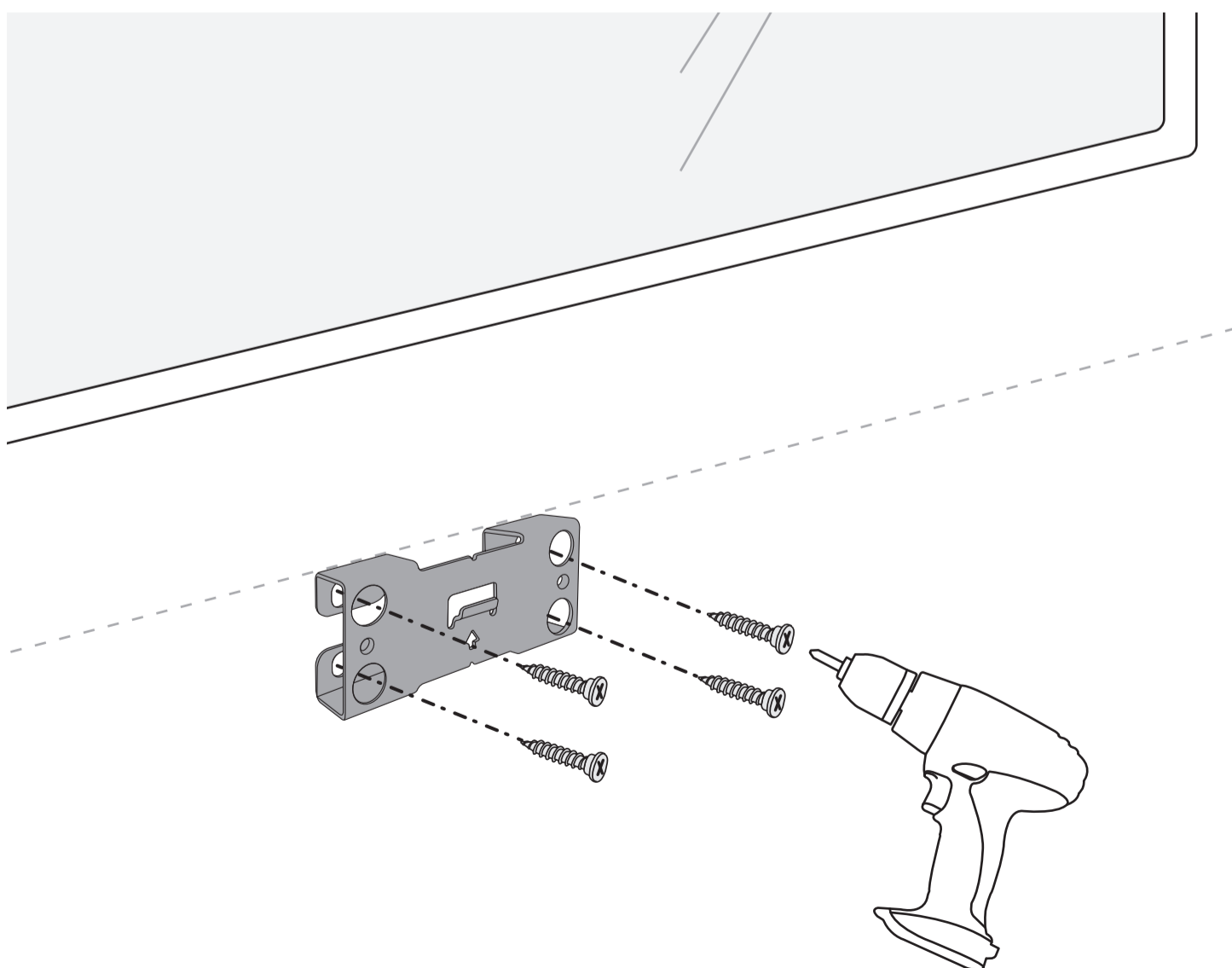
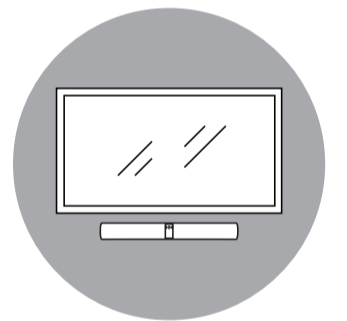
1

Measure **8cm** below the screen for wall mount placement. The top of the **wall mount** will align with the 8cm.



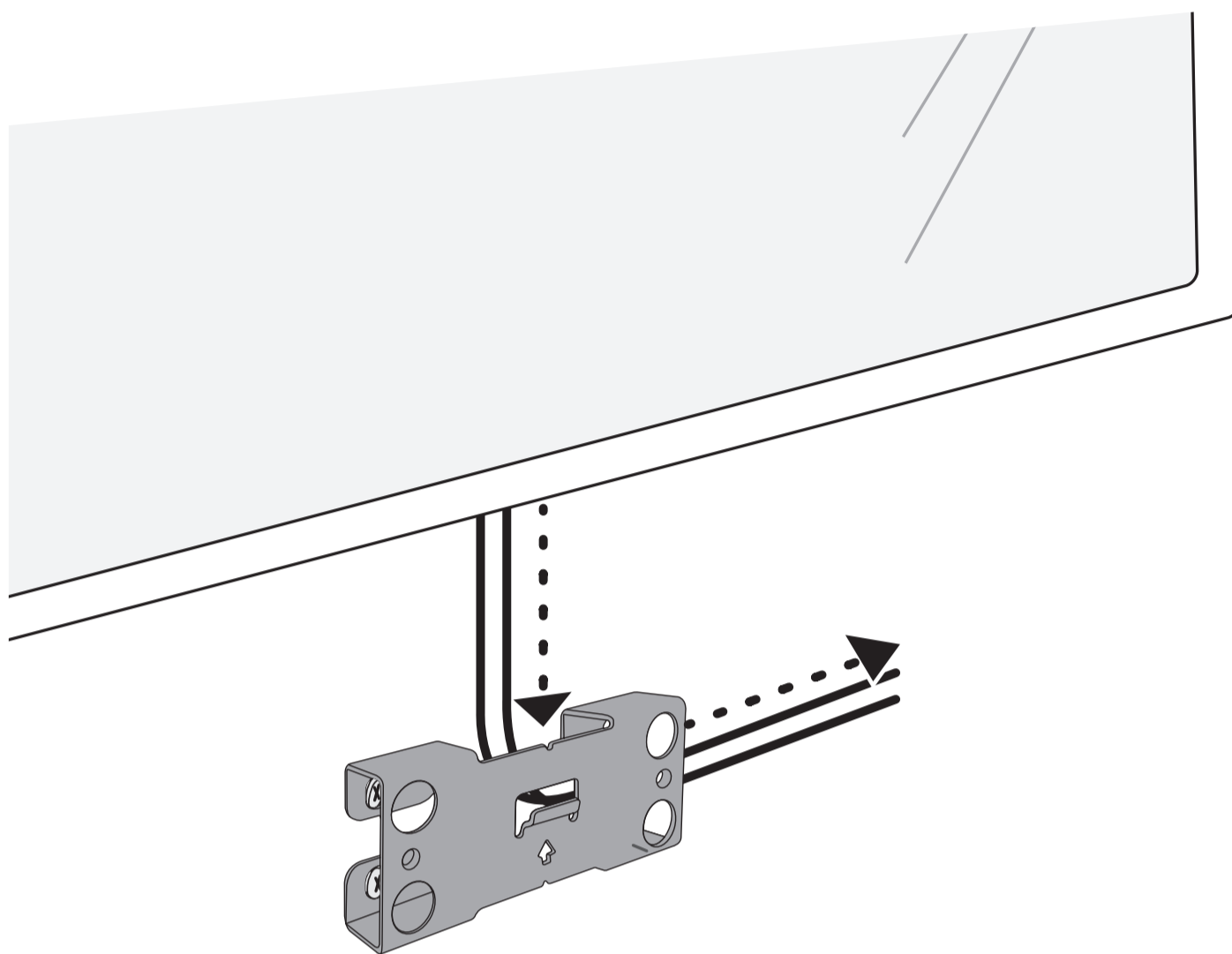
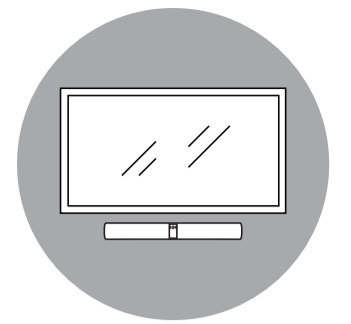
2

Screw the **wall mount** to the wall using a drill (screws not supplied).



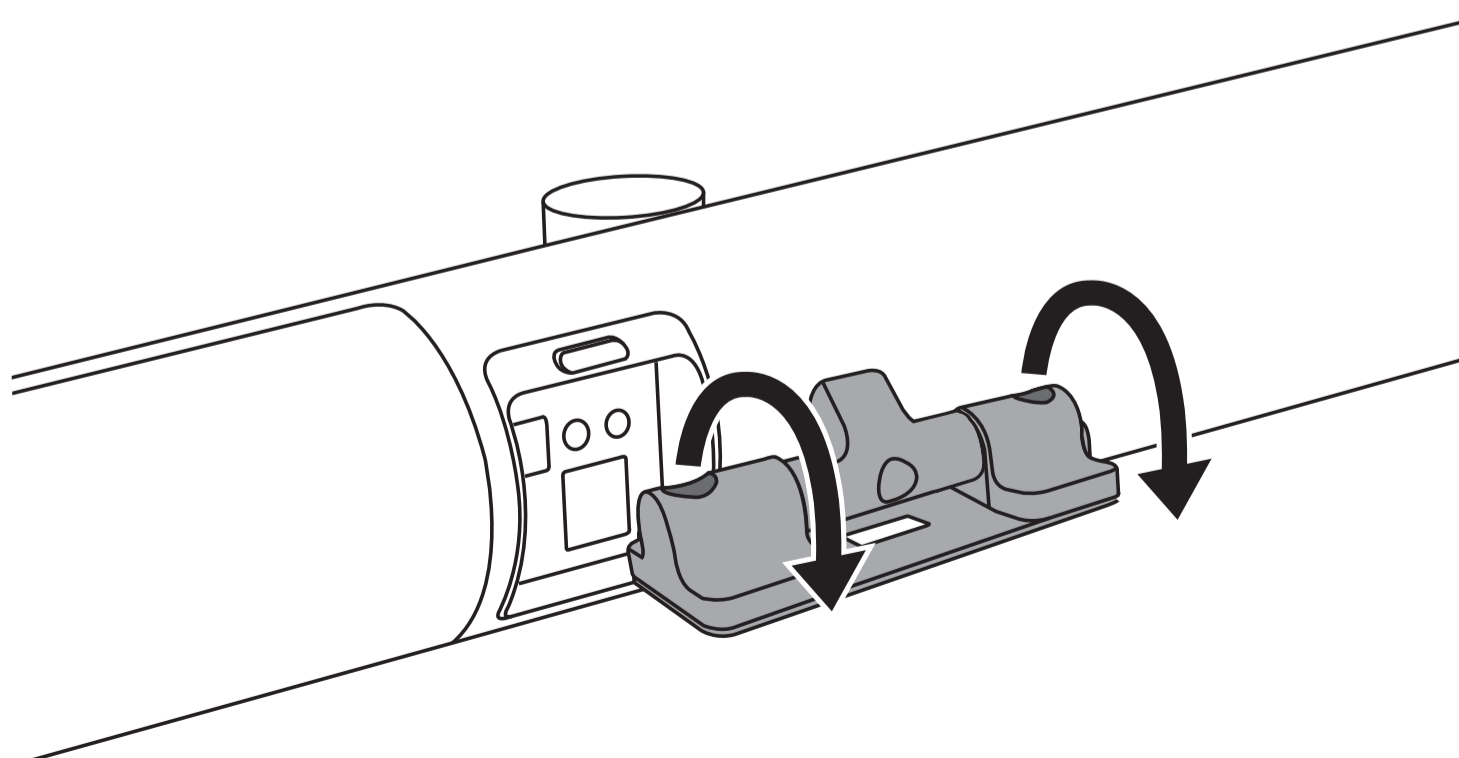
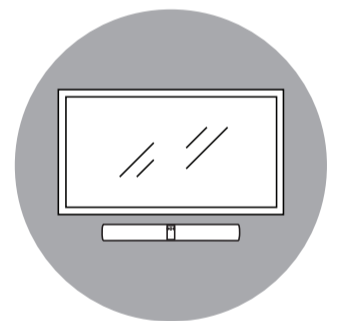
3

Route all relevant cables through the wall mount and to the right.



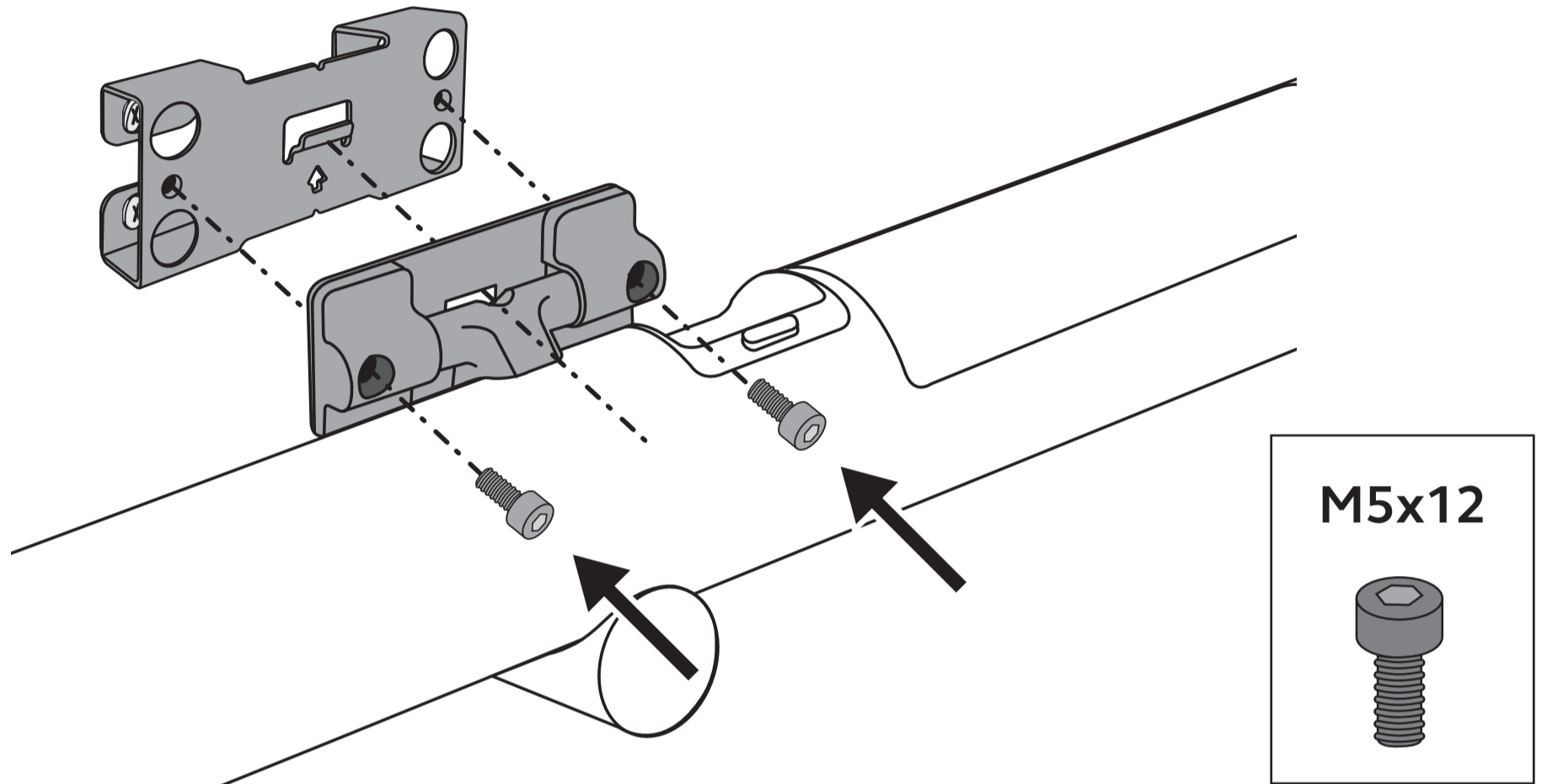
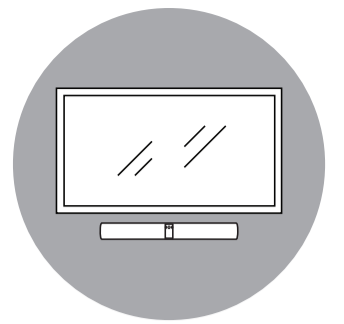
4

Tilt the hinge on the PanaCast 50 for easy access to the screw holes.



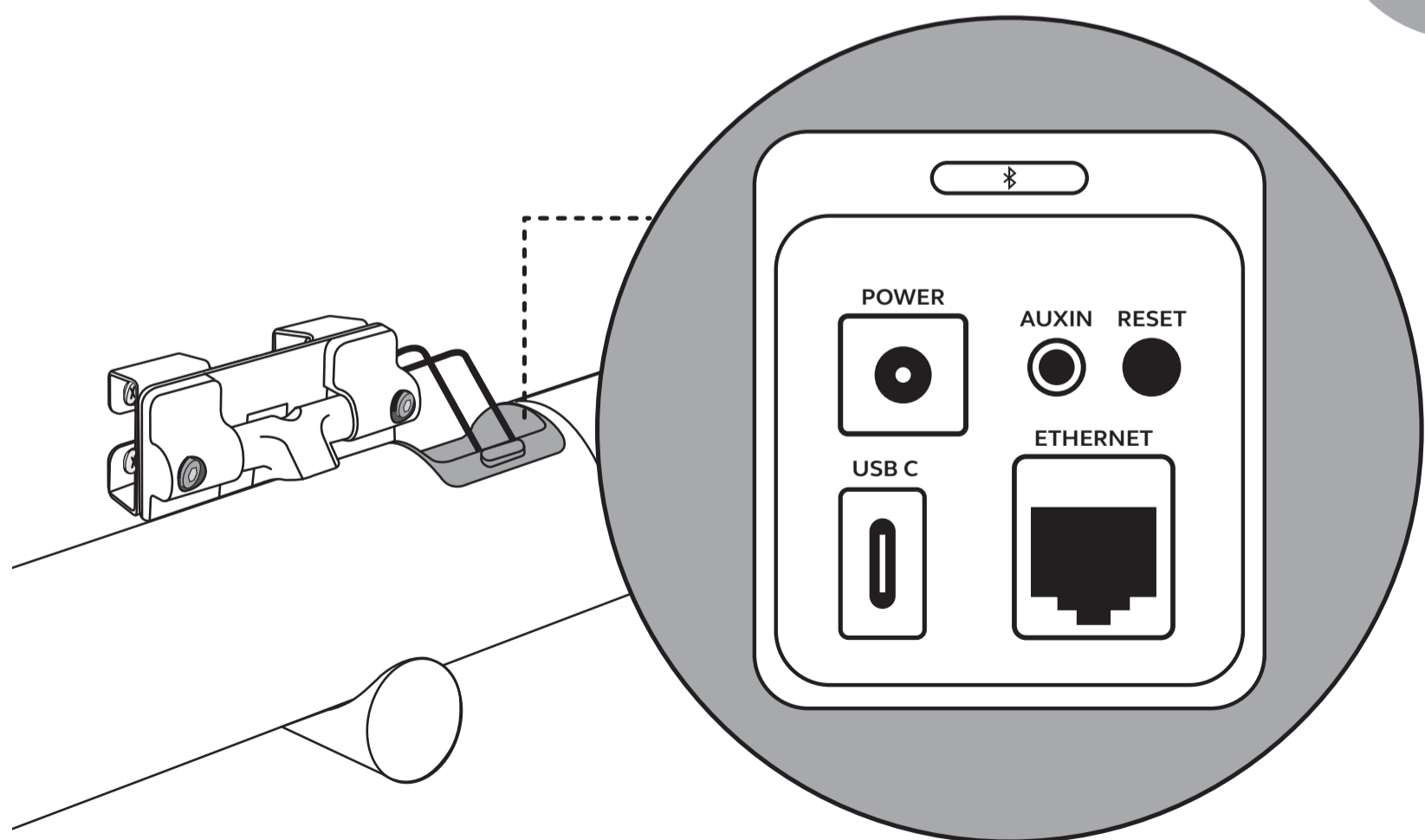
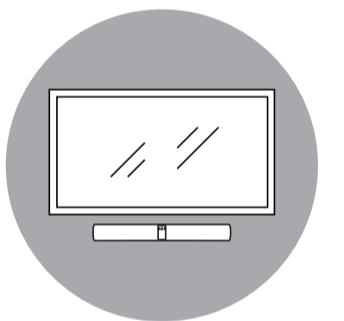
5

Mount and screw the PanaCast 50 to the wall mount using the supplied **M5x12 screws** and a **4mm hex key**.



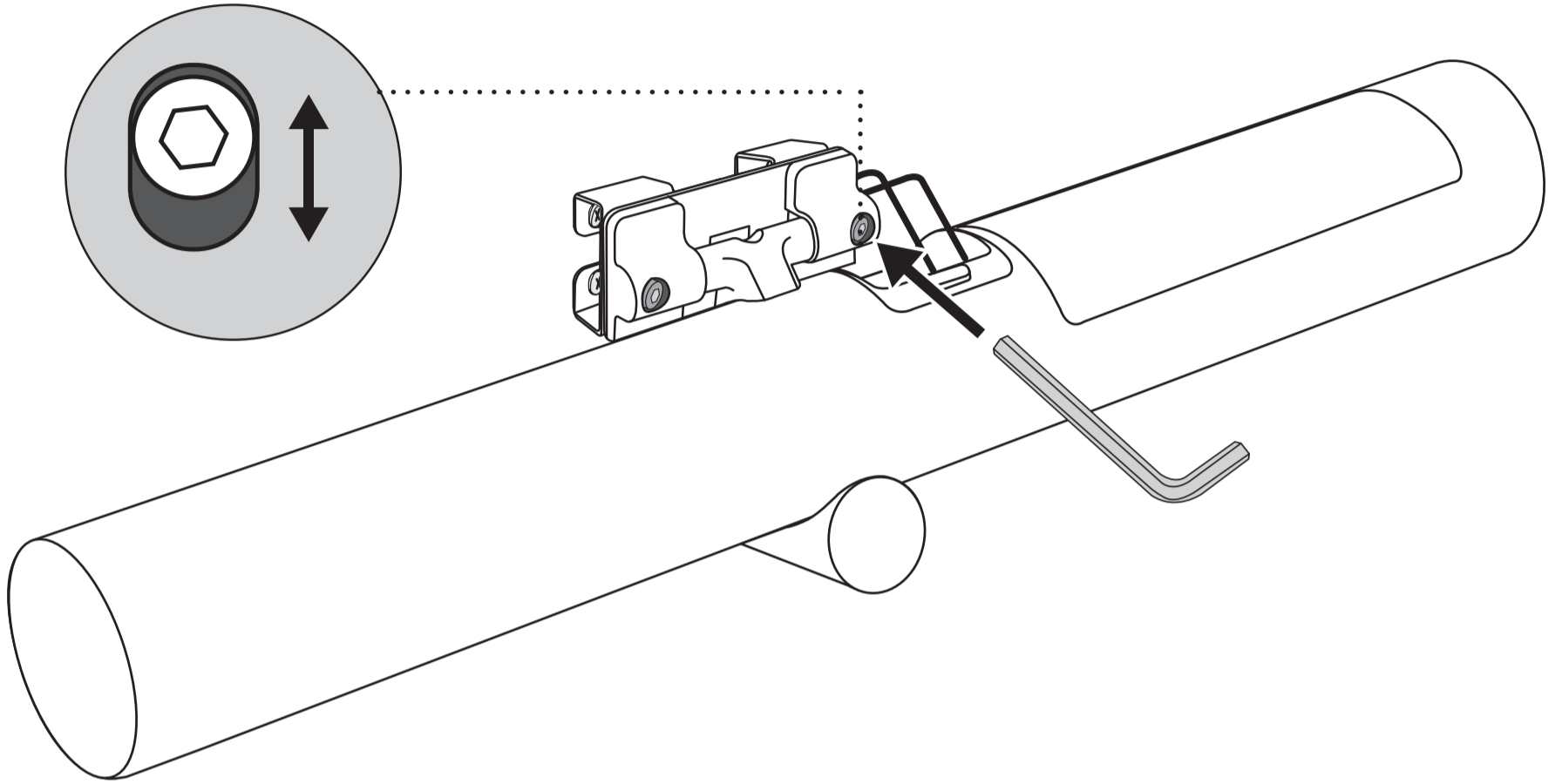
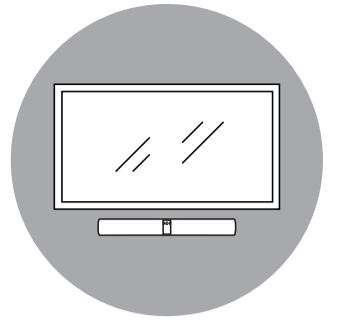
6

Attach the relevant cables to the PanaCast 50.



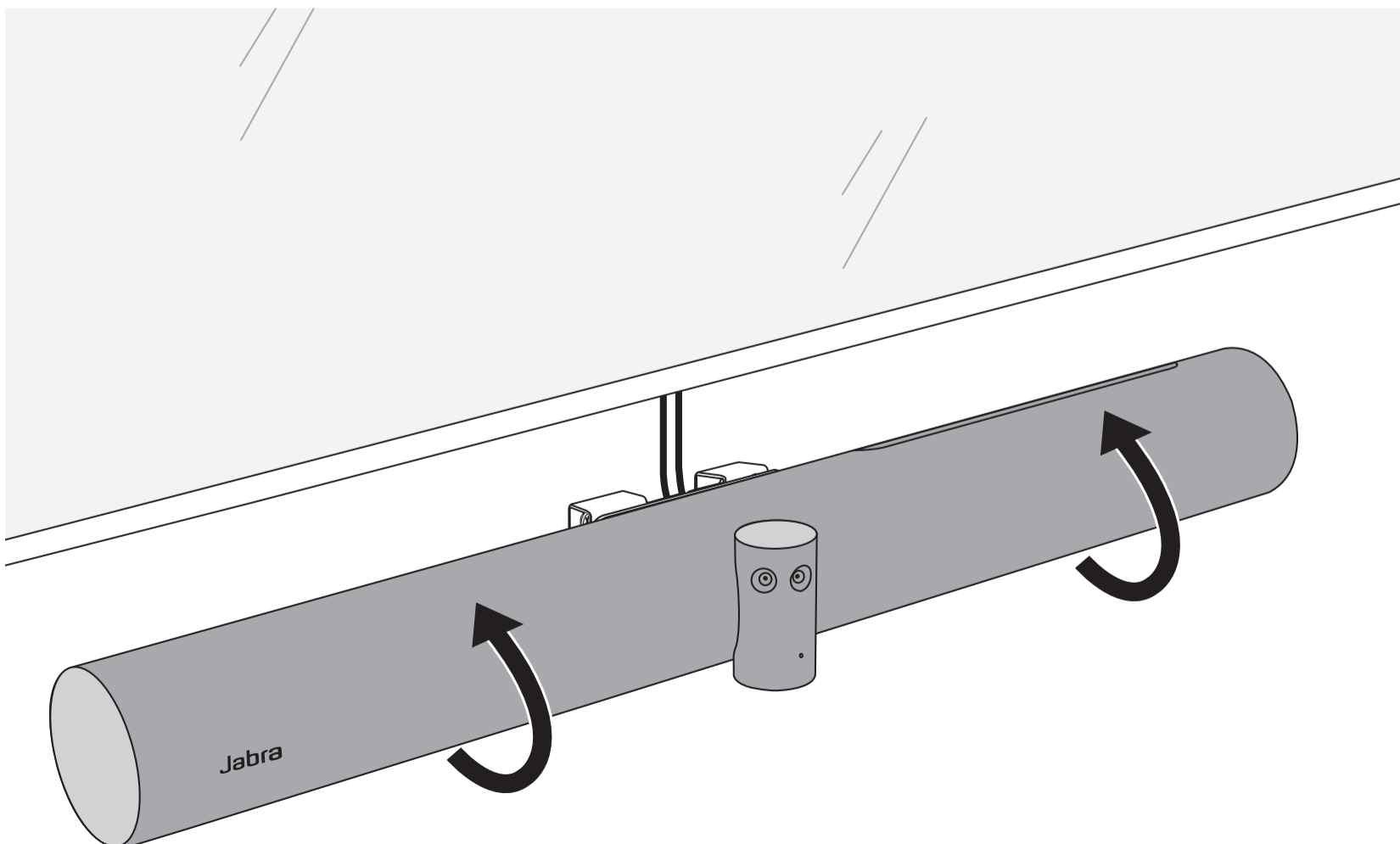
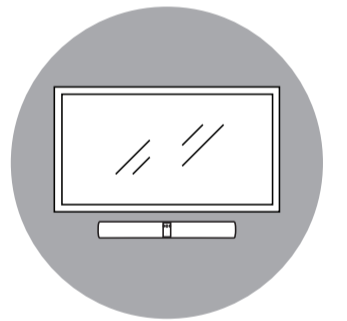
7

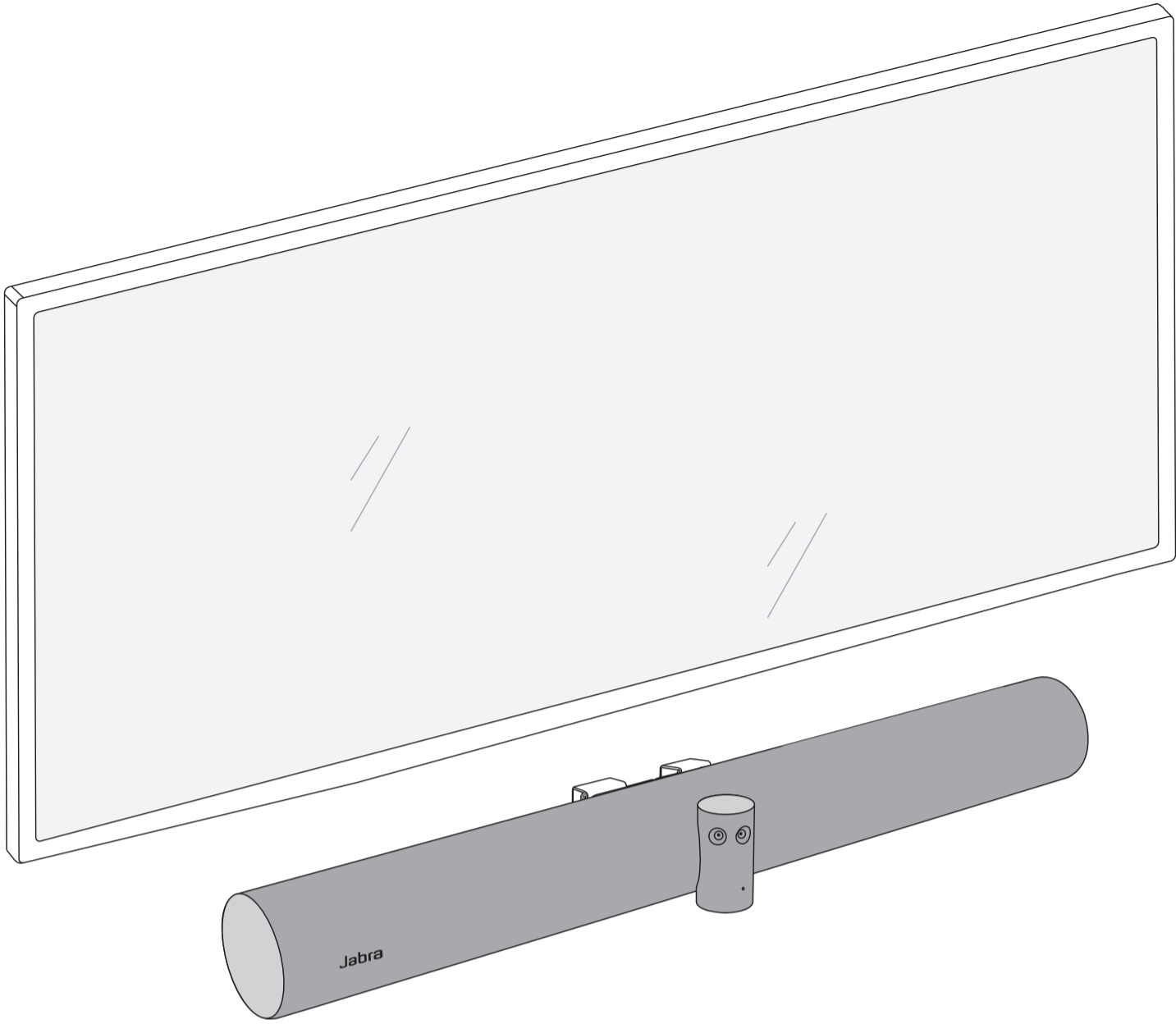
If not level, adjust the angle of the PanaCast 50 by loosening the right screw, leveling and re-tightening the screw



8

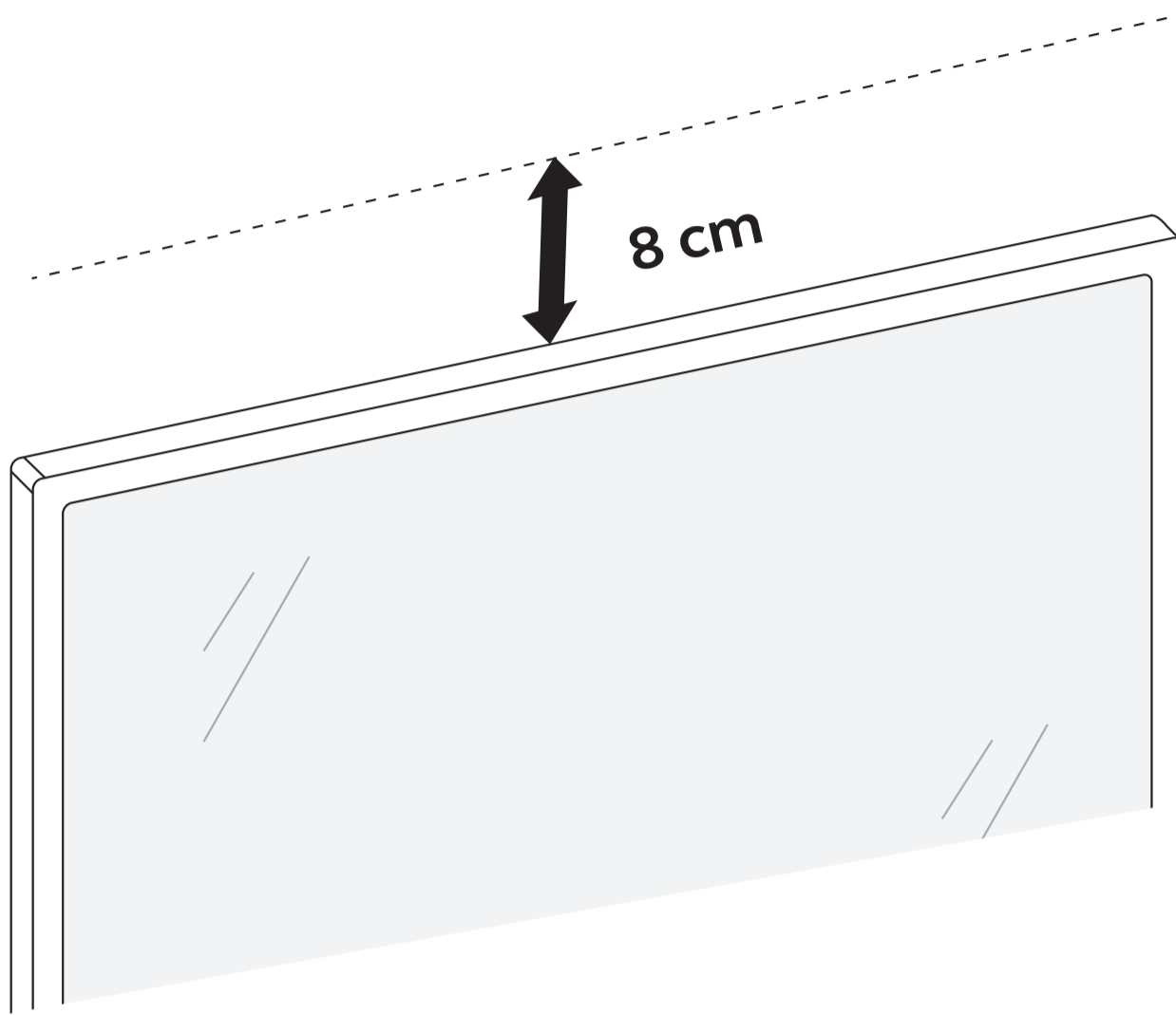
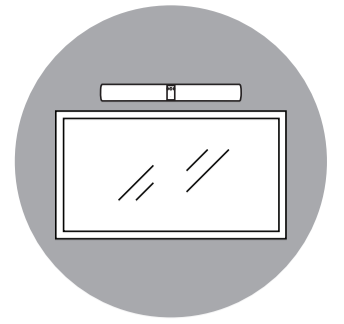
Rotate the PanaCast 50 into its final position and angle the camera to point at eye-level.





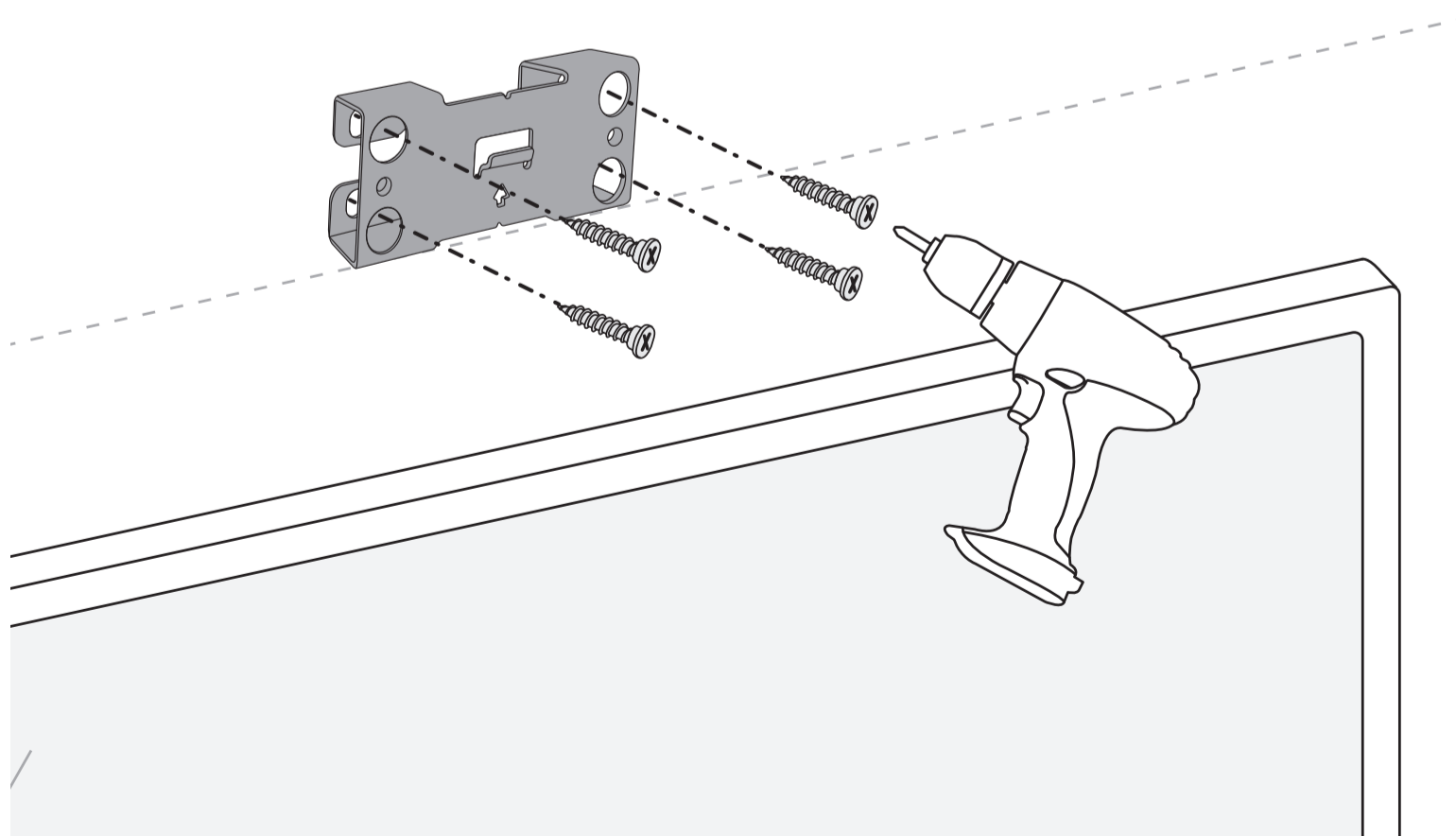
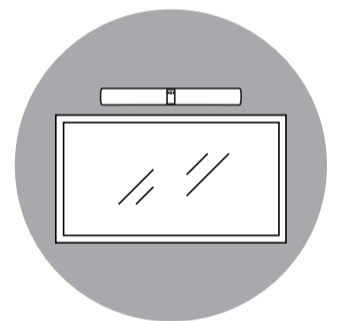
1

Measure **8cm** above the screen for wall mount placement. The bottom of the **wall mount** will align with the 8cm.



2

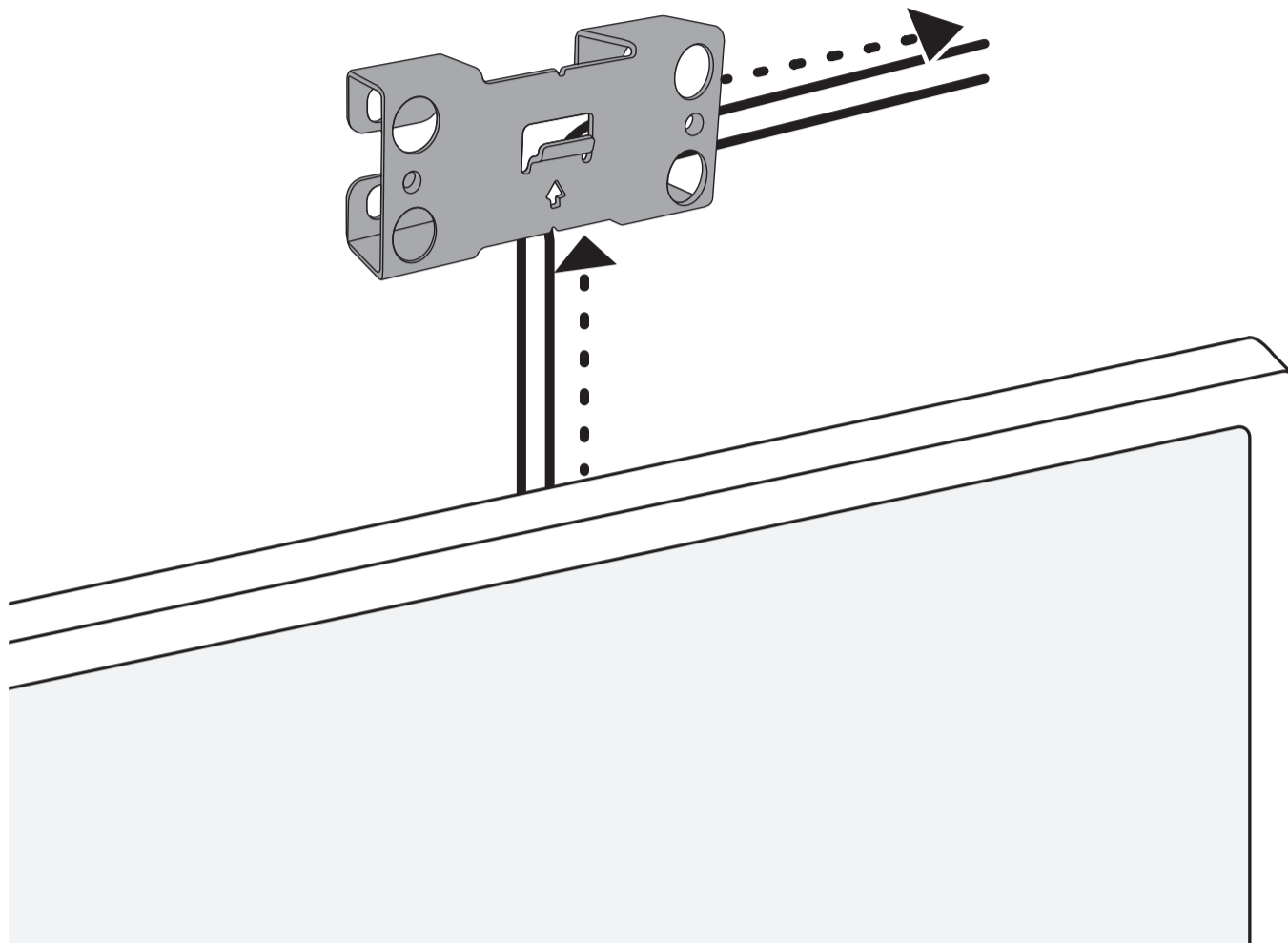
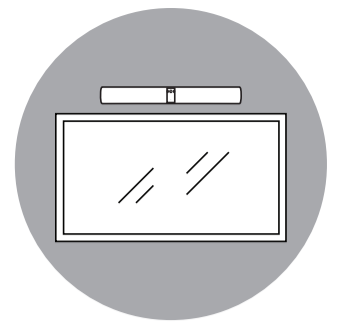
Screw the **wall mount** to the wall using a drill (screws not supplied).





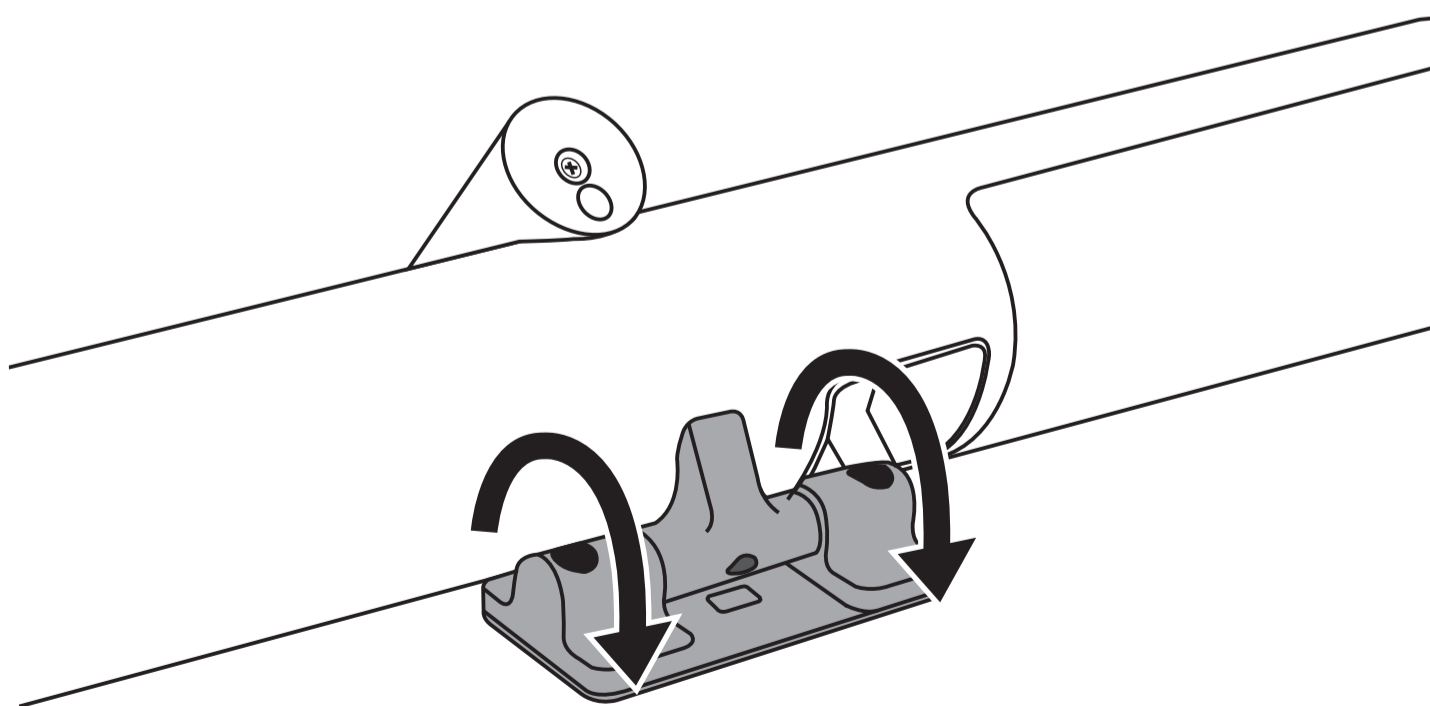
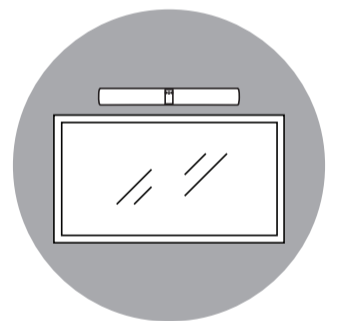
3

Route all relevant cables through the wall mount and to the right.



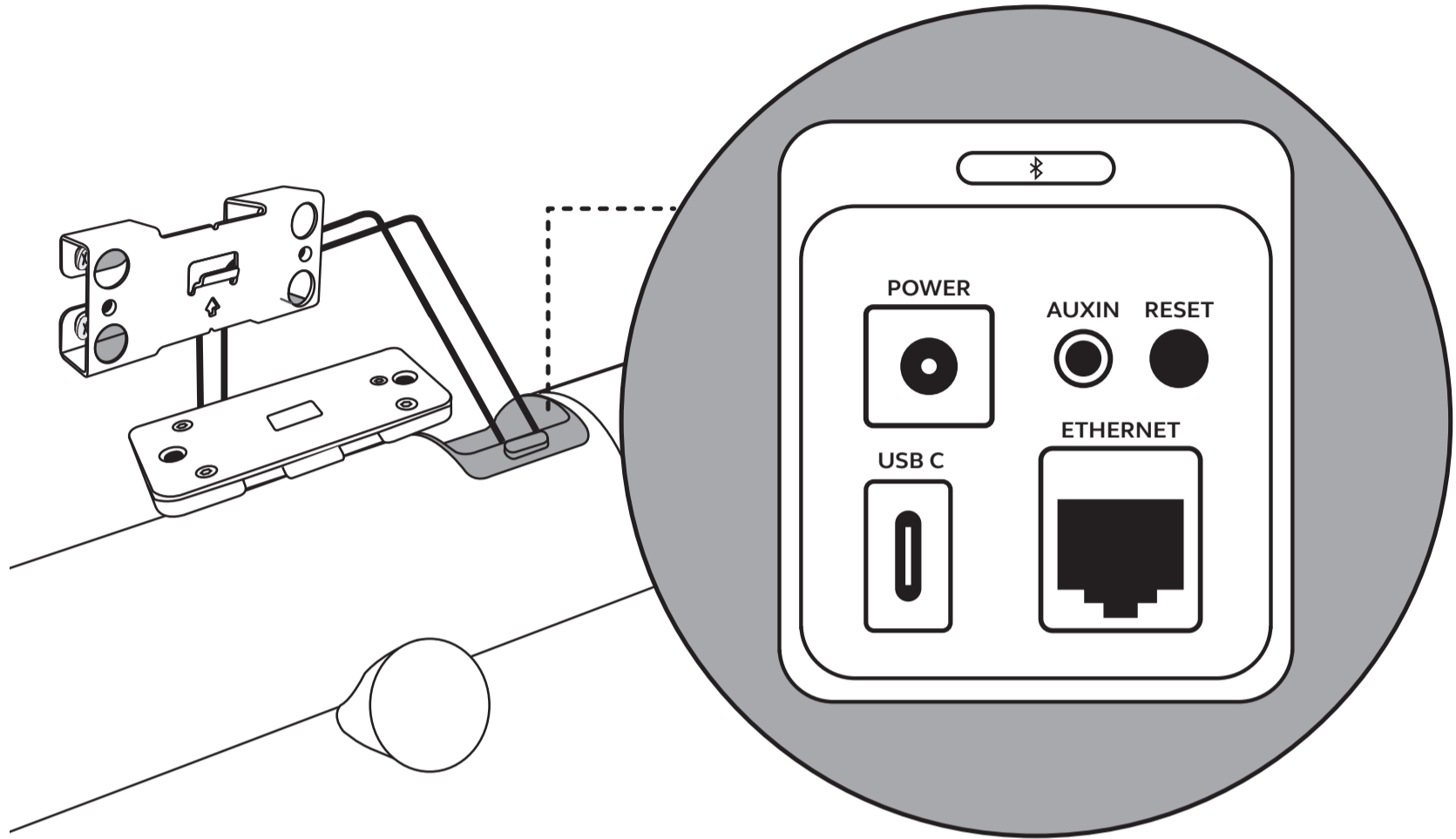
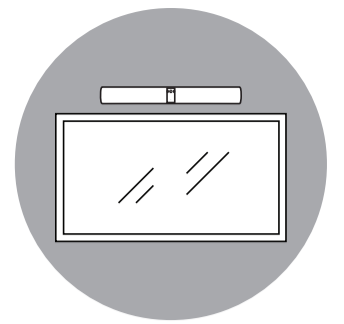
4

Tilt the hinge on the PanaCast 50 for easy access to the screw holes.



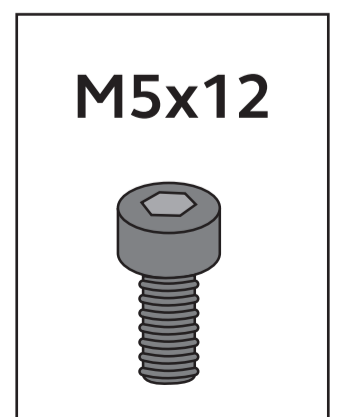
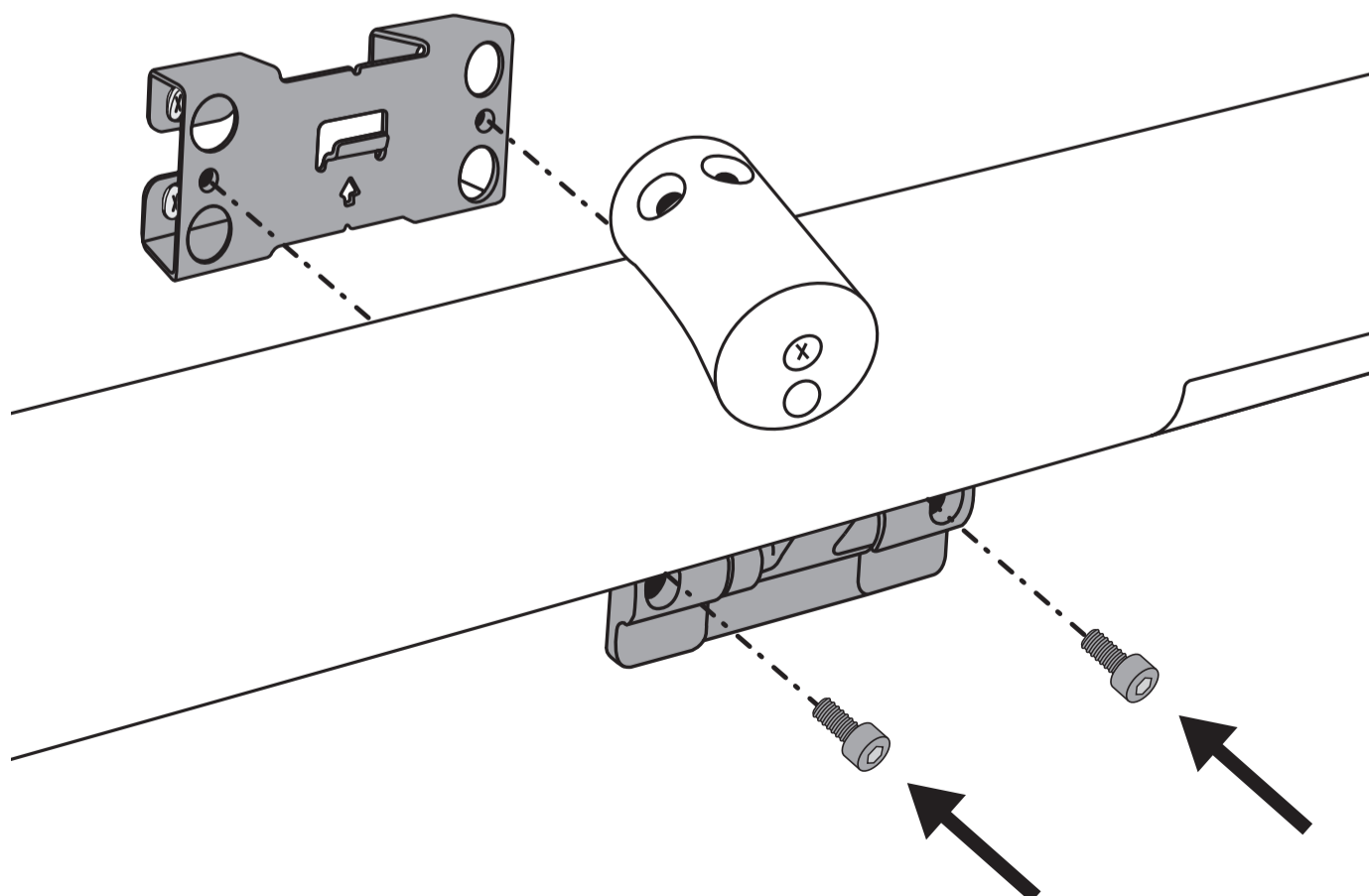
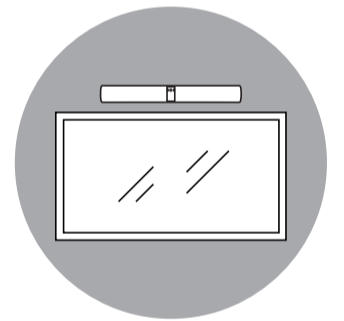
5

Attach the relevant cables to the PanaCast 50 before mounting and screwing to the wall mount.



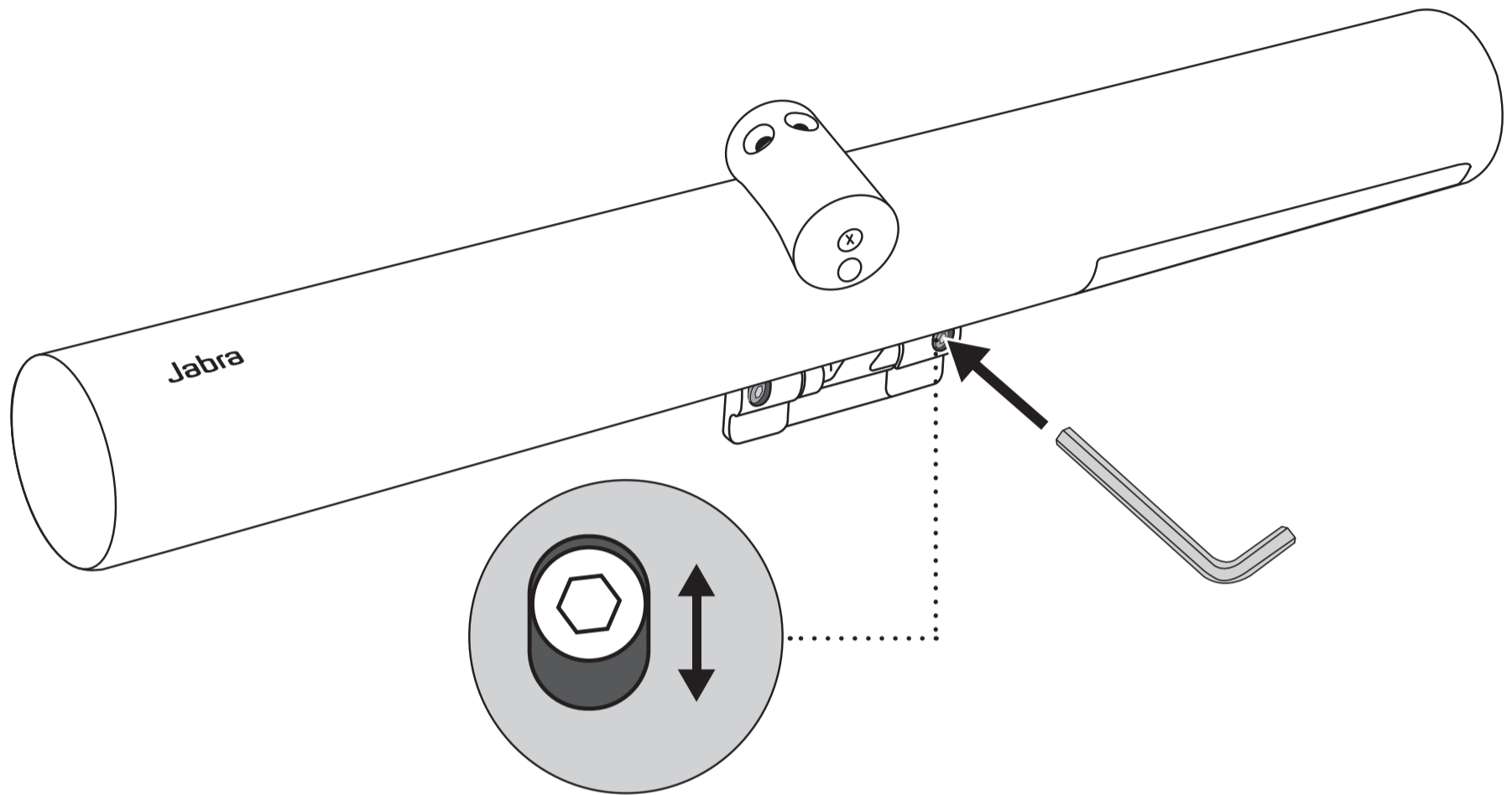
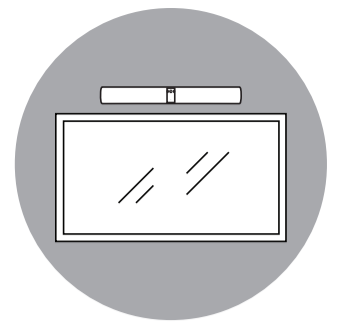
6

Mount and screw the PanaCast 50 to the wall mount using the supplied **M5x12 screws** and a **4mm hex key**.



7

If not leveled, adjust the angle of the PanaCast 50 by loosening the right screw, leveling and re-tightening the screw



8

Rotate the PanaCast 50 into its final position and angle the camera to point at eye-level.

