

# Arkal 4" Super Leader Filter

Catalog No.

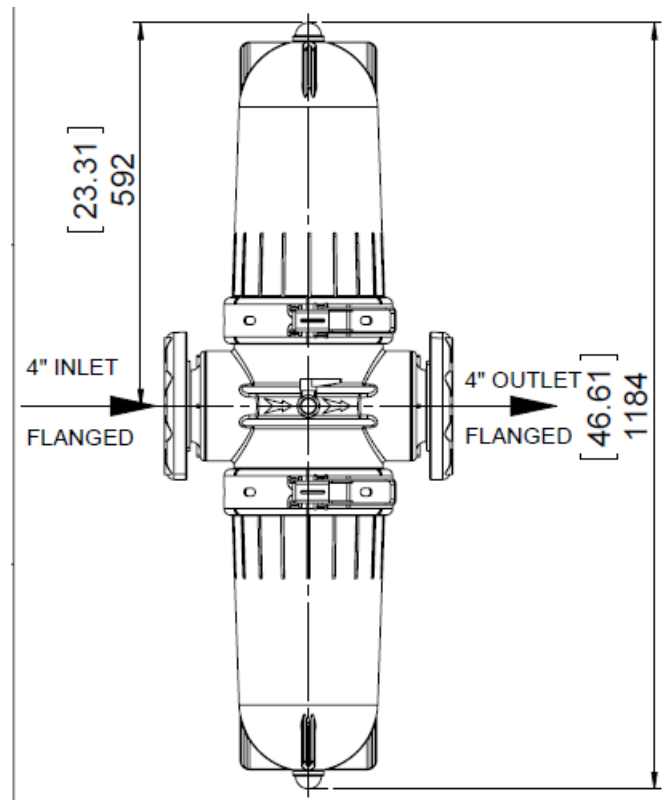
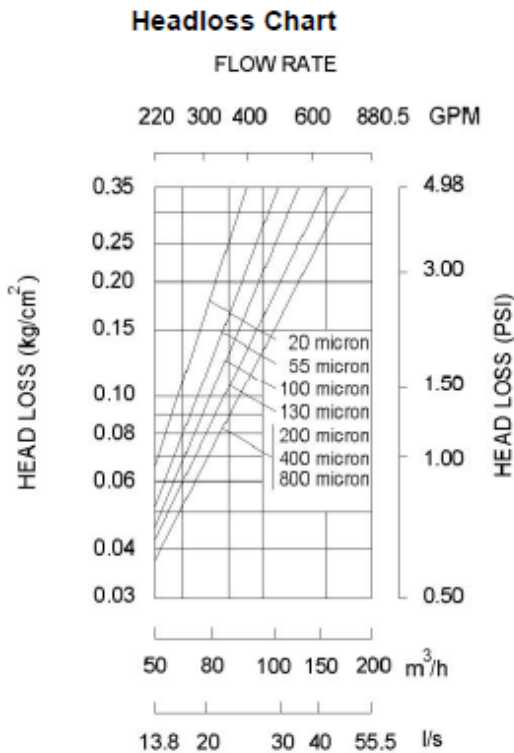
015500-000058 Arkal Flange (ASA, BSTD, DIN)



**Technical Data**

Inlet/Outlet diameter	111 mm	4"
Max. pressure	10 bar	145 psi
Max. flow rate 400-100 micron	100 m <sup>3</sup> /h	440 gpm
Filtration area	3704 cm <sup>2</sup>	574 in <sup>2</sup>
Filtration volume	3548 cm <sup>3</sup>	216 in <sup>3</sup>
Filter length	1190 mm	47"
Filter width	330 mm	13"
Distance between connections $\square$	445 mm	17.5"
Weight	FL. 24 Kg	52.8 lbs
	GRV. 22 Kg	48.4 lbs
Maximum temperature	60° C	140° F
pH	2-13 (at 20°C)	2-13 (at 68°F)

Optional – 415 mm / 16.3" for old version grooved ends.



### Dismantling (for cleaning)

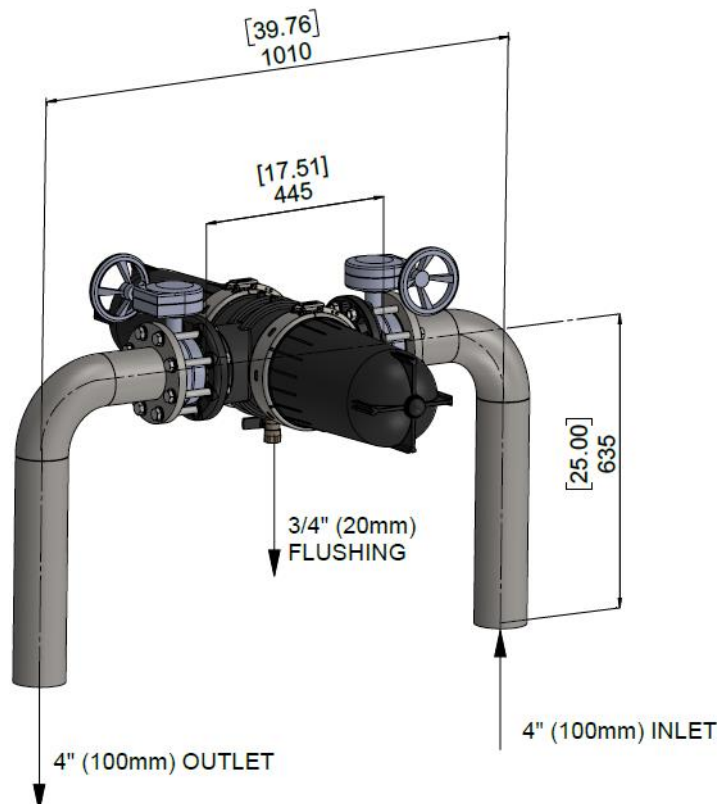
1. Make sure that the water inlet is turned off and pressure is released.
2. Drain the filter through the drainage ball valve.
3. Open the cover by pulling the safety pin out and lifting the clamp lever.
4. Remove the filter cover with a slight anticlockwise rotation.
5. Remove the filter element.
6. Release the spine tightening nut.
7. Pull the cap's telescopic extension to decompress the discs.
8. Rinse using a high-pressure water jet.

### Assembly

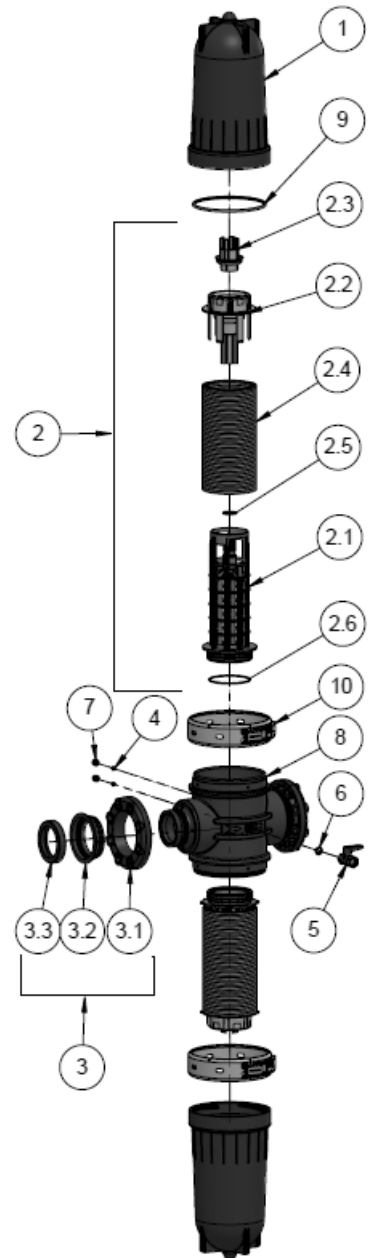
1. Close the spine tightening nut until the discs are tightly compressed.
2. Position the filter element back in place.
3. Place the filter cover on the filter body and secure it with a slight clockwise rotation.
4. Secure the clamp onto the cover and close using the lever, insert the safety pin.

### Installation

1. The **4" SUPER LEADER** filter recommended to be installed horizontally.
2. A shut off valve should be installed at the filter inlet in order to close water supply for servicing.
3. A Small ball valve with a flexible hose should be connected in front of the shut off valve for manual cleaning of the filter element.



Item Number	Catalog Number	Description	Quantity	Material
1	710101-000057	4"-6" Filter Cover	2	PP
2	700101-001205	3"-4" Disc Filter Element PP 130mic	2	Various
2.1	700190-000005	3"-4" Spine-99	1	RPP
2.2	710103-000374	SPINE TIGHTENING CAP	1	RPP
2.3	710101-000108	SPINE TEGHTENING NUT	1	RPP
2.4	700101-001209	3-4" DISC SET	1	PP
2.5	770102-000028	O-Ring P2-220	1	EPDM
2.6	770102-000041	O-Ring 2-249	1	EPDM
3	700190-000227	4"Arkal Flange Complete	2	VARIOUS
3.1	710103-004932	4"AK FLANGE	1	RPA
3.2	710101-000431	4"A.K. Flange Ring Stopper	1	ACETAL
3.3	770104-000253	4" Seal for Q/F	1	EPDM
4	770104-000045	Gauge Port Seal	2	EPDM
5	730104-000231	3/4" Ball Valve F/F	1	BRASS/NIC
6	770102-000043	Parker O-Ring 2*311	1	EPDM
7	710101-000148	Gauge Port Nut with Hole 3mm BSPT	2	RPP
8	710103-000026	BODY 4" SUPER LEADER PP GRV 445MM	1	PP
9	770104-000254	3-4" Hydraulic Seal	2	EPDM
10	760108-000135	4-6" Clamp for Super Leader	2	S/ST 304



## AMIAD LIMITED WARRANTY

1. This certificate applies to Amiad Water Systems Ltd. ("**Amiad**") products purchased by you (the "**Buyer**") from Amiad unless specifically agreed otherwise in writing by Amiad. This Warranty extends only to the original purchaser, and is not transferable to anyone who subsequently purchases, leases, or otherwise obtains the product from the original purchaser.
2. Amiad hereby warrants that the products are and will be free from defects in material and workmanship under normal use and service. Amiad warrants that it will correct manufacturing defects in the products, in accordance with the conditions set out in this Warranty.
3. This Warranty is enforceable for a period of 12 months after the date upon which the products were delivered (the "**Warranty Period**").
4. In the event that during the Warranty Period the Buyer discovers a defect in material and/or workmanship in any product or part (the "**Defective Product**"), it shall submit a written complaint to Amiad using Amiad's standard Buyer Complaint Form. For the receipt of the Buyer Complaint Form, the submission of the complaint or any questions please contact your service representative.
5. Upon written demand by Amiad the Buyer shall return the Defective Product - or a sample thereof - to Amiad, at Amiad's cost. If the Buyer ships any such Defective Product, Amiad suggests the Buyer package it securely and insure it for value, as Amiad assumes no liability for any loss or damage occurring during shipment. Provided however that in the event Amiad determines that this Warranty does not apply to such product, Buyer shall promptly reimburse Amiad for such cost (including freight and customs). Any returned product or part must be accompanied by the Warranty certificate and the purchase invoice. It is clarified that the Buyer may not return the Defective Product unless such return was coordinated and approved by Amiad in advance.
6. Amiad's obligation under this Warranty shall be limited to, at Amiad's option, the repair or exchange, free of charge, of the product or any part which may prove defective under normal use and service during the Warranty Period. The provision of a repair or replacement of a product during the Warranty Period will result in an extension of the Warranty Period by an additional period of 12 months, provided that the total accumulated Warranty Period shall in any event be no more than 18 months from the date upon which the products were delivered.
7. This Warranty is valid on the condition that the products are installed according to Amiad's instructions as expressed in Amiad's instruction manuals and according to the technical limitations as stipulated in Amiad's literature or as stated by a representative of Amiad.
8. This Warranty will not apply to damaged or defective products resulting from or related to:
  - (i) Fire, flood, power surges or failures or any other catastrophe and/or unforeseen occurrence, such as but not limited to those for which the Buyer is customarily insured for, or any force majeure events;
  - (ii) Fault, abuse or negligence of the Buyer;
  - (iii) Intake water not meeting the agreed standards, as set forth in a written document, approved by Amiad, or improper storage;
  - (iv) Improper or unauthorized use of the product or related parts by the Buyer, including Buyer's failure to operate the product in conformity with the recommendations and instructions of Amiad, as set forth in Amiad's manuals and other written materials, the operation of the product other than by a trained and qualified operator, or improper installation of the product by a third party not authorized by Amiad;
  - (v) Performance by the Buyer of maintenance or operation other than in conformity with the recommendations and instructions of Amiad, or other than in accordance with procedures defined in the literature supplied for products (including the timely replacement of requisite parts), and for services provided other than by a trained and qualified advanced operator; or
  - (vi) Any alteration, modification, foreign attachment to or repair of the products, other than by Amiad or its authorized technical representatives.
9. In no event shall Amiad be liable to the Buyer or any third party for any damages to property, or for any intangible or economic loss, including loss of profits, loss of customers or damage to reputation, for any damages, including indirect, special, consequential damages, or punitive damage arising out of or in connection with this Warranty, or arising out of or in connection with the product's performance or failure to perform, even if it has been advised of the possibility of such damages.
10. Amiad will be excused for failure to perform or for delay in performance hereunder if such failure or delay is due to causes beyond its reasonable control or force majeure preventing or hindering performance.
11. This Warranty set forth herein is the only contractual warranty given by Amiad and is provided in lieu of any other warranties created by any documentation, packaging or otherwise.
12. Amiad makes no warranty whatsoever in respect to accessories or parts not supplied by Amiad. In the event that Amiad is required to correct a Defective Product or product not covered by this Warranty, it will do so solely in consideration for additional fees.
13. The parties will actively endeavor to amicably settle any dispute arising between them. In the event that the parties are unable to reach an equitable settlement of such dispute, any claim or lawsuit related to the Warranty, its validity execution, its performance be brought before only the courts of Tel-Aviv, Israel. Israeli law will govern the Warranty, to the exclusion of any conflict of law rules.