

## AC CIRCULAR INLINE DUCT FAN



КРУГЛЫЕ КАНАЛЬНЫЕ ВЕНТИЛЯТОРЫ  
ПЕРЕМЕННОГО ТОКА

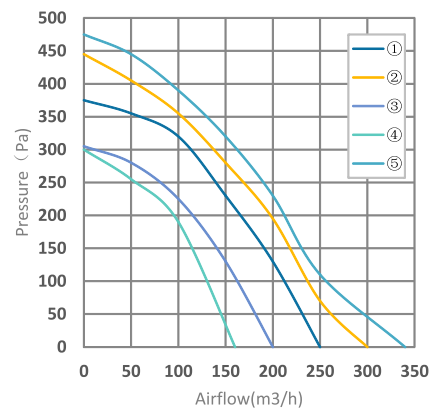
**BAYMIR**  **OXBERG**

AC circular inline duct fan

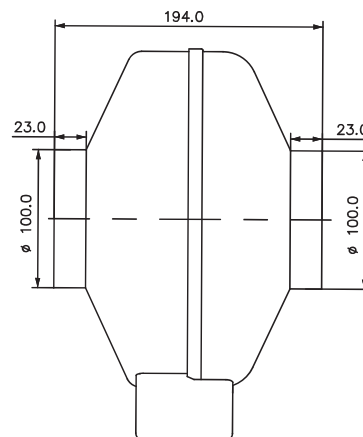
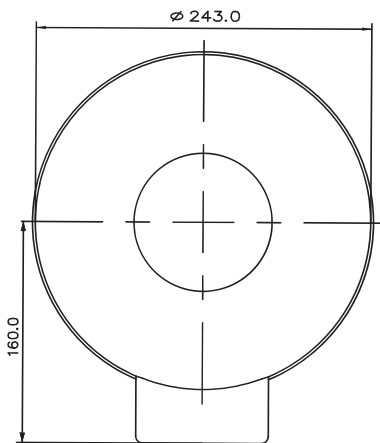
100



- Material Steel
- Direction Clockwise
- Protection IP44
- Insulation class F
- Mounting position Any
- Mode of operation Continuous
- Ball bearing Maintenance-free
- Motor protection Thermal overload
- Perm. Amb. temp -20°C~+60°C
- Certification CE



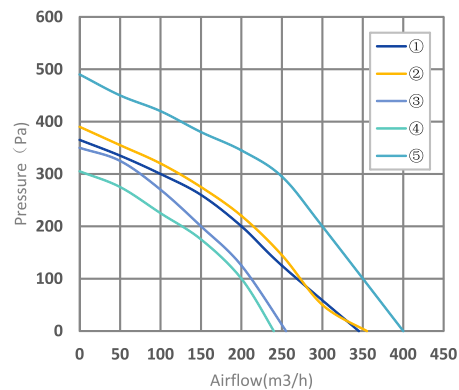
Type	Curve No	Nominal voltage C /VA	Frequency	Air flow	Speed	Power input	Current	Capacitor	Sound pressure (A) /dB	Perm. Amb. temp	Weight /Kg
CM100243-15S2C92H2 A/B	1/2	230	50/60	252/270	2390/2470	66/79	0.28/0.34	2μF/450V	55	-20°C ~+60°C	3.5
CM100243-15S2C92L2 A/B	3/4	230	50/60	199/179	1560/1400	33/35	0.14/0.15	2μF/450V	52	-20°C ~+60°C	3.5
CM100243-15S2B92H6 A/B	5/0	120	60/0	288/0	2550/0	61/0	0.50/0	6μF/250V	58	-20°C ~+60°C	3.5



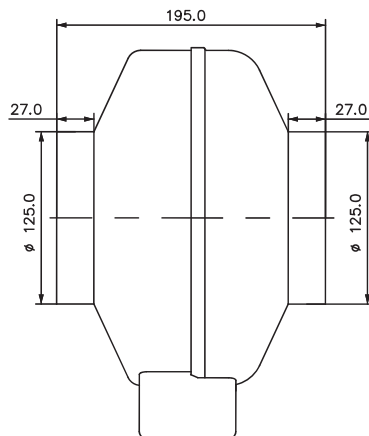
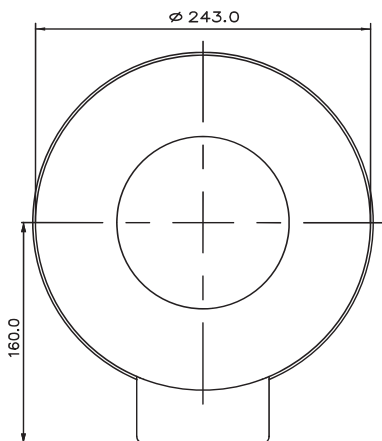
# 125



- Material Steel
- Direction Clockwise
- Protection IP44
- Insulation class F
- Mounting position Any
- Mode of operation Continuous
  - Ball bearing Maintenance-free
  - Motor protection Thermal overload
- Perm. Amb. temp -20°C~+60°C
- Certification CE



Type	Curve No	Nominal voltage C /VA	Frequency	Air flow	Speed	Power input	Current	Capacitor	Sound pressure (A) /dB	Perm. Amb. temp	Weight /Kg
CM125243-15S2C92H2 A/B	1/2	230	50/60	322/330	2230/260	65/78	0.28/0.34	2μF/450V	58	-20°C ~+60°C	3.5
CM125243-15S2C92L3 A/B	3/4	230	50/60	252/242	1640/1530	37/41	0.16/0.18	3μF/450V	51	-20°C ~+60°C	3.5
CM125243-15S2B92H6 A/B	5/0	120	60/0	404/0	2550/0	62/0	0.50/0	6μF/250V	62	-20°C ~+60°C	3.5

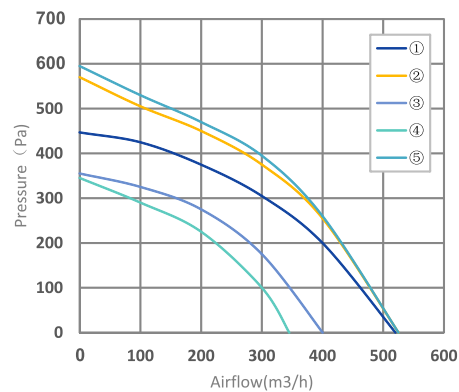


AC circular inline duct fan

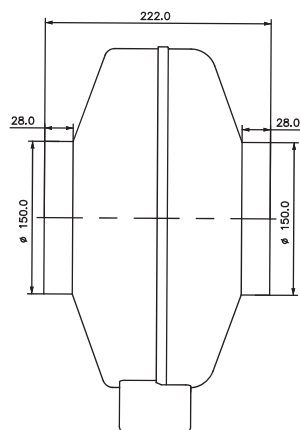
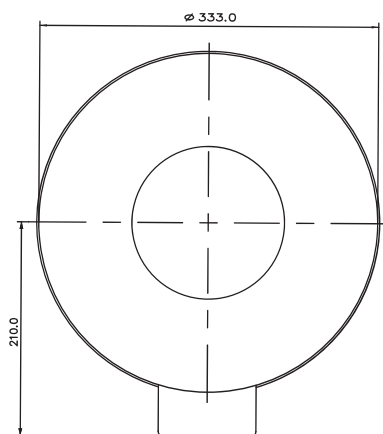
150



- Material Steel
- Direction Clockwise
- Protection IP44
- Insulation class F
- Mounting position Any
- Mode of operation Continuous
  - Ball bearing Maintenance-free
  - Motor protection Thermal overload
- Perm. Amb. temp -20°C~+60°C
- Certification CE

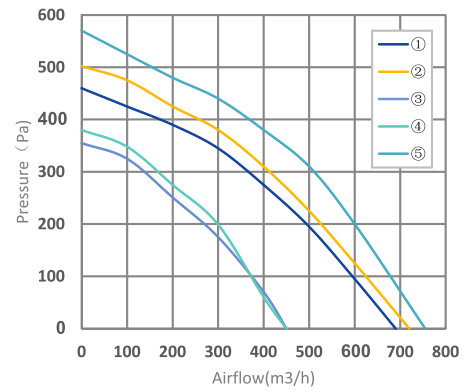


Type	Curve No	Nominal voltage C /VA	Frequency	Air flow	Speed	Power input	Current	Capacitor	Sound pressure (A) /dB	Perm. Amb. temp	Weight /Kg
CM150333-20S2C92H3 A/B	1/2	230	50/60	533/540	2420/2610	88/103	0.38/0.45	3 μF/45 0V	57	-20°C ~+60°C	4.6
CM150333-20S2C92L3 A/B	3/4	230	50/60	400/345	1710/1470	62/65	0.28/0.29	3 μF/45 0V	54	-20°C ~+60°C	4.6
CM150333-20S2B92H6 A/B	5/0	120	60/0	535/0	2480/0	116/0	1.00/0	6μF/2 50V	68	-20°C ~+60°C	4.6

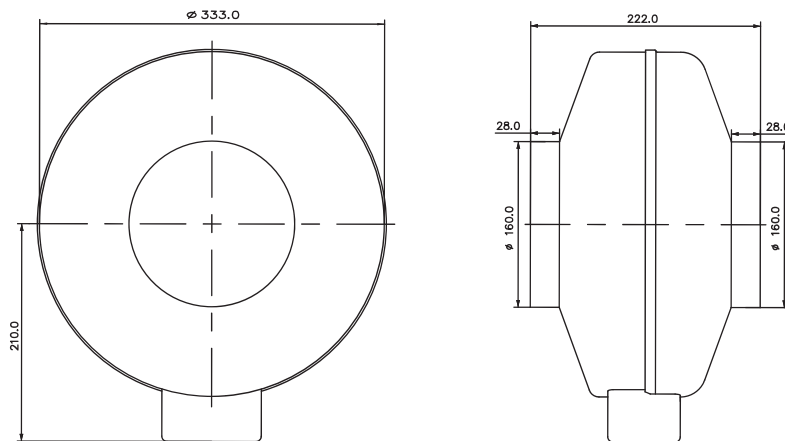




- Material Steel
- Direction Clockwise
- Protection IP44
- Insulation class F
- Mounting position Any
- Mode of operation Continuous
- Ball bearing Maintenance-free
- Motor protection Thermal overload
- Perm. Amb. temp -20°C~+60°C
- Certification CE



Type	Curve No	Nominal voltage C /VA	Frequ ency	Air flow	Speed	Power input	Curre nt	Capaci tor	Sound pressure B(A) /d	Perm. Amb. temp	Weight /Kg
CM160333-20S2C92H4 A/B	1/2	230	50/60	690/715	2290/2420	107/131	0.46/0.58	4μF/450V	59	-20°C ~+60°C	4.9
CM160333-20S2C92L2.5 A/B	3/4	230	50/60	446/346	1220/1090	68/69	0.31/0.32	2.5μF/450V	55	-20°C ~+60°C	4.9
CM160333-20S2B92H6 A	5	120	60/0	754/0	2450/0	113/0	1.00/0	6μF/250V	52	-20°C ~+60°C	4.9

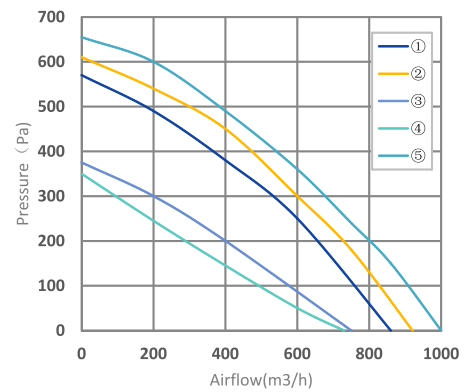


AC circular inline duct fan

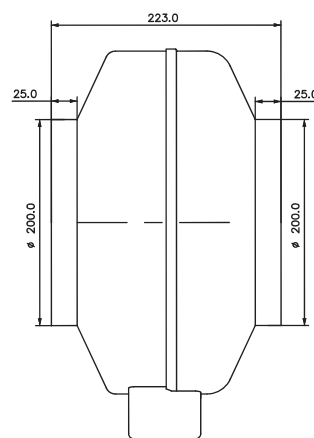
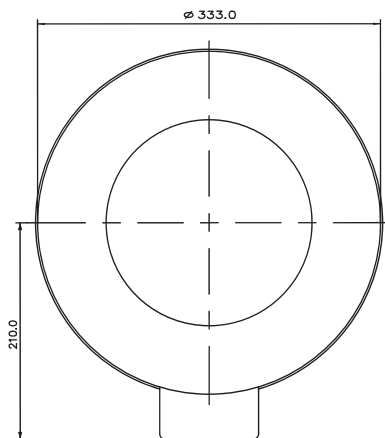
200



- Material Steel
- Direction Clockwise
- Protection IP44
- Insulation class F
- Mounting position Any
- Mode of operation Continuous
- Ball bearing Maintenance-free
- Motor protection Thermal overload
- Perm. Amb. temp -20°C~+60°C
- Certification CE



Type	Curve No	Nominal voltage C	/VA	Frequency	Air flow	Speed	Power input	Current	Capacitor	Sound pressure B(A)	/d	Perm. Amb. temp	Weight /Kg
CM200333-35S2C92H4 A/B	1/2	230		50/60	885/940	2510/2630	133/174	0.57/0.76	4μF/450V	63		-20°C ~+60°C	5.7
CM200333-35S2C92L10 A/B	3/4	230		50/60	754/720	2100/1940	95/112	0.41/0.50	10μF/450V	60		-20°C ~+60°C	5.7
CM200333-35S2B92H17 A/B	5/0	120		60/0	1001/0	2770/0	200/0	1.60/0	17μF/250V	68		-20°C ~+60°C	5.7

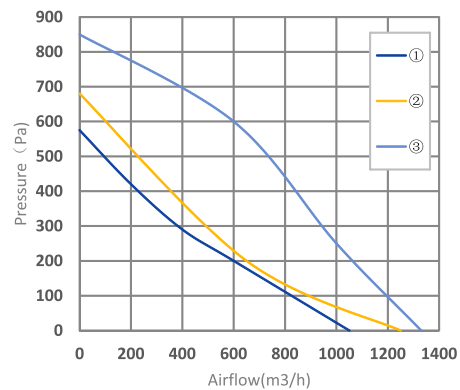


AC circular inline duct fan

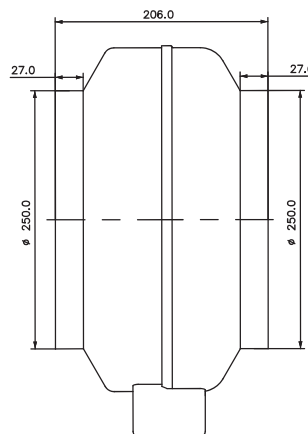
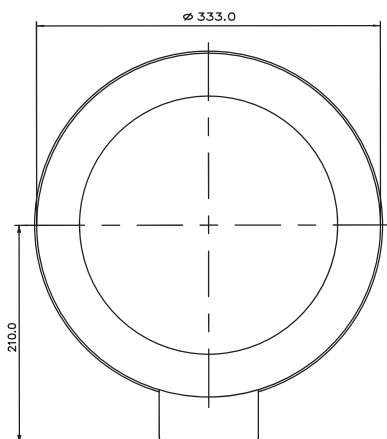
250



- Material Steel
- Direction Clockwise
- Protection IP44
- Insulation class F
- Mounting position Any
- Mode of operation Continuous
  - Ball bearing Maintenance-free
  - Motor protection Thermal overload
- Perm. Amb. temp -20°C~+60°C
- Certification CE



Type	Curve No	Nominal voltage AC /V	Frequency	Air flow	Speed	Power input	Current	Capacitor	Sound pressure B(A) /d	Perm. Amb. temp	Weight /Kg
CM250333-35S2C92H4 A/B	1/2	230	50/60	1066/1020	2300/2270	151/180	0.66/0.82	4µF/450V 4µF/250V	65	-20°C ~+60°C	5.7
CM250333-35S2B92H17 A/B	3/0	120	60/0	1341/0	2550/0	221/0	1.60/0	17µF/250V	74	-20°C ~+60°C	5.7

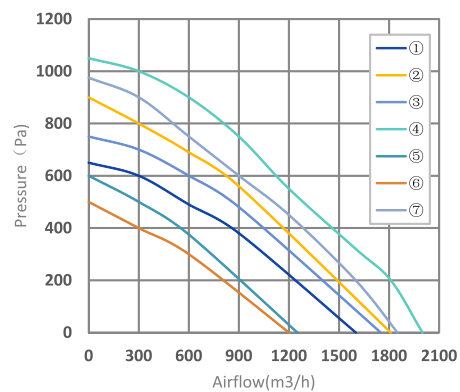


AC circular inline duct fan

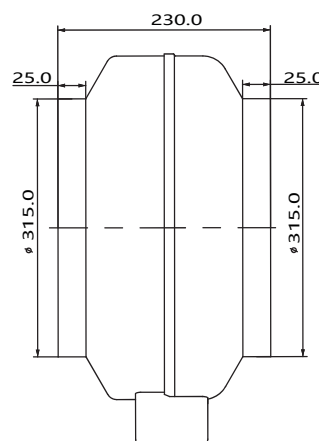
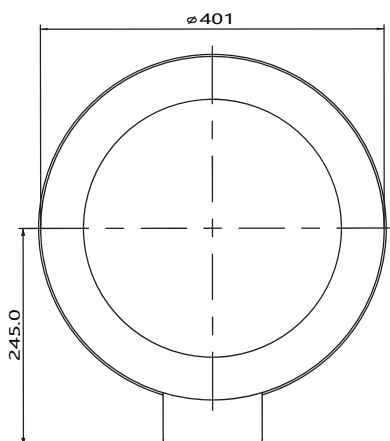
315



- Material Steel
- Direction Clockwise
- Protection IP44
- Insulation class F
- Mounting position Any
- Mode of operation Continuous
  - Ball bearing Maintenance-free
  - Motor protection Thermal overload
- Perm. Amb. temp -20°C~+60°C
- Certification CE



Type	Curve No	Nominal voltage C	/VA	Frequ ency	Air flow	Speed	Power input	Curre nt	Capac itor	Sound pressure B(A) /d	Perm. Amb. temp	Weight /Kg
CM315401-45S2C92H6 A/B	1/2	230		50/60	1630/1750	2440/2500	213/220	0.93/1.18	6μF/250V	65	-20°C~+60°C	6.6
CM315401-45S2C92H8 A/B	3/4	230		50/60	1850/2000	2520/2670	237/322	1.00/1.40	8μF/450V	73	-20°C~+60°C	6.6
CM315401-45S2C92L16 A/B	5/6	230		50/60	1394/1365	2120/1960	160/190	0.68/0.83	16μF/450V	60	-20°C~+60°C	6.6
CM315401-45S2B92H17 A/B	7/0	120		60/0	1868/0	2580/0	282/0	2.35/0	17μF/250V	73	-20°C~+60°C	6.6



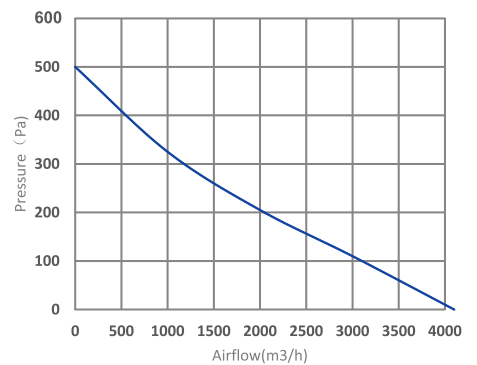


AC circular inline duct fan

**355**



- Material Steel
- Direction Clockwise
- Protection IP44
- Insulation class F
- Mounting position Any
- Mode of operation Continuous
- Ball bearing Maintenance-free
- Motor protection Thermal overload
- Perm. Amb. temp -20°C~+60°C
- Certification CE



Type	Curve No	Nominal voltage /VAC	Frequency	Air flow	Speed	Power input	Current	Capacitor	Sound pressure (A) /dB	Perm. Amb. temp	Weight /Kg
CM355-500-S2C92L6 A/B	1/0	230	50/0	280 0/0	140 0/0	190/0	0.85 /0	6μF/45 0V	50	-20°C ~+60°C	14.0
CM355480-60S2C102H2 A/B	1/0	230	50/0	402 4/0	142 0/0	362/0	1.6/ 0	12μF/4 50V	55	-20°C ~+60°C	19

