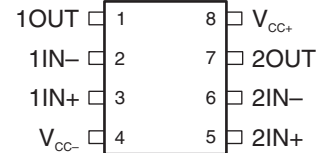


## DUAL LOW-NOISE OPERATIONAL AMPLIFIERS

### FEATURES

- **Equivalent Input Noise Voltage:**  
5 nV/ $\sqrt{\text{Hz}}$  Typ at 1 kHz
- **Unity-Gain Bandwidth:** 10 MHz Typ
- **Common-Mode Rejection Ratio:** 100 dB Typ
- **High DC Voltage Gain:** 100 V/mV Typ
- **Peak-to-Peak Output Voltage Swing** 26 V Typ  
With  $V_{CC\pm} = \pm 15\text{ V}$  and  $R_L = 600\ \Omega$
- **High Slew Rate:** 9 V/ $\mu\text{s}$  Typ

NE5532, NE5532A . . . D, P, OR PS PACKAGE  
SA5532, SA5532A . . . D OR P PACKAGE  
(TOP VIEW)



### DESCRIPTION/ORDERING INFORMATION

The NE5532, NE5532A, SA5532, and SA5532A are high-performance operational amplifiers combining excellent dc and ac characteristics. They feature very low noise, high output-drive capability, high unity-gain and maximum-output-swing bandwidths, low distortion, high slew rate, input-protection diodes, and output short-circuit protection. These operational amplifiers are compensated internally for unity-gain operation. These devices have specified maximum limits for equivalent input noise voltage.

### ORDERING INFORMATION<sup>(1)</sup>

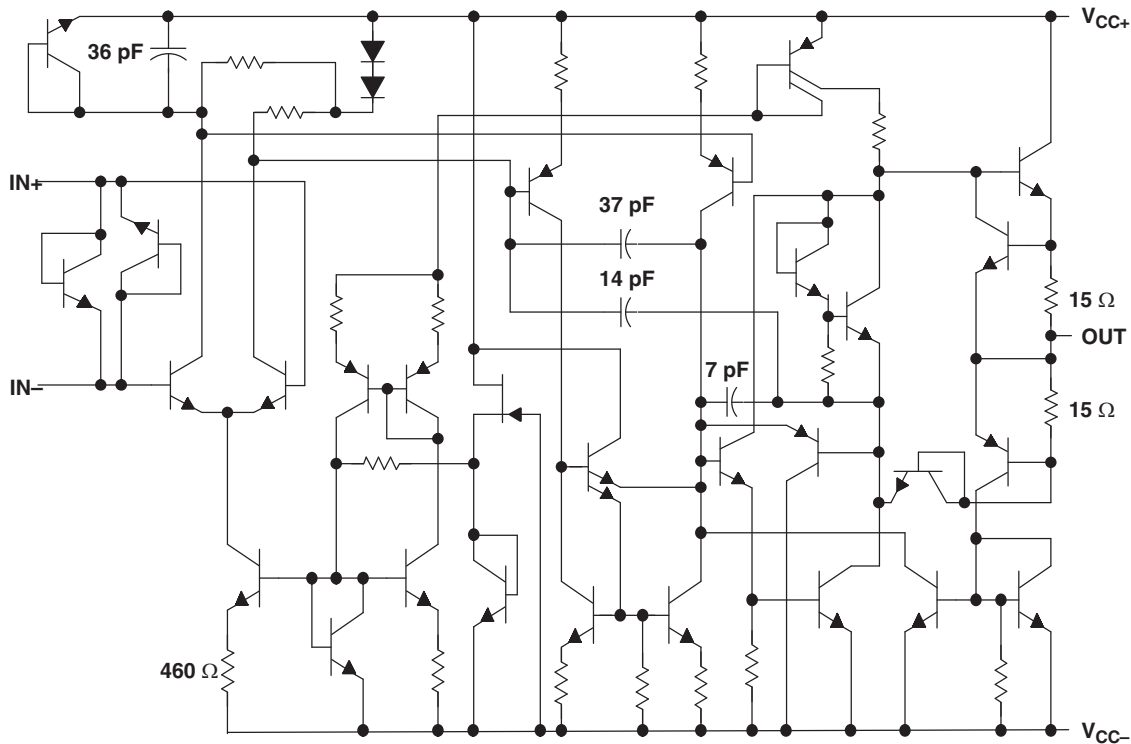
| $T_A$         | PACKAGE <sup>(2)</sup> |              | ORDERABLE PART NUMBER | TOP-SIDE MARKING |
|---------------|------------------------|--------------|-----------------------|------------------|
| 0°C to 70°C   | PDIP – P               | Tube of 50   | NE5532P               | NE5532P          |
|               |                        |              | NE5532AP              | NE5532AP         |
|               | SOIC – D               | Tube of 75   | NE5532D               | N5532            |
|               |                        |              | Reel of 2500          |                  |
|               |                        | Reel of 2500 | NE5532AD              | N5532A           |
|               |                        |              | NE5532ADR             |                  |
|               | SOP – PS               | Reel of 2000 | NE5532PSR             | N5532            |
|               |                        |              | NE5532APSR            | N5532A           |
| –40°C to 85°C | PDIP – P               | Tube of 50   | SA5532P               | SA5532P          |
|               |                        |              | SA5532AP              | SA5532AP         |
|               | SOIC – D               | Tube of 75   | SA5532D               | SA5532           |
|               |                        |              | Reel of 2500          |                  |
|               |                        | Reel of 2500 | SA5532AD              | SA5532A          |
|               |                        |              | SA5532ADR             |                  |

- (1) For the most current package and ordering information, see the Package Option Addendum at the end of this document, or see the TI web site at [www.ti.com](http://www.ti.com).
- (2) Package drawings, thermal data, and symbolization are available at [www.ti.com/packaging](http://www.ti.com/packaging).



Please be aware that an important notice concerning availability, standard warranty, and use in critical applications of Texas Instruments semiconductor products and disclaimers thereto appears at the end of this data sheet.

**SCHEMATIC (EACH AMPLIFIER)**



Component values shown are nominal.

**ABSOLUTE MAXIMUM RATINGS<sup>(1)</sup>**

over operating free-air temperature range (unless otherwise noted)

|   |   |                  |        |
|---|---|------------------|--------|
| V <sub>CC</sub>                                 | Supply voltage <sup>(2)</sup>               | V <sub>CC+</sub> | 22 V   |
|   |   | V <sub>CC-</sub> | -22 V  |
| Input voltage, either input <sup>(2)(3)</sup>   |   | V <sub>CC±</sub> |        |
| Input current <sup>(4)</sup>                    |   | ±10 mA           |        |
| Duration of output short circuit <sup>(5)</sup> |   | Unlimited        |        |
| θ <sub>JA</sub>                                 | Package thermal impedance <sup>(6)(7)</sup> | D package        | 97°C/W |
|   |   | P package        | 85°C/W |
|   |   | PS package       | 95°C/W |
| T <sub>J</sub>                                  | Operating virtual-junction temperature      | 150°C            |        |
| T <sub>stg</sub>                                | Storage temperature range                   | -65°C to 150°C   |        |

- (1) Stresses beyond those listed under "absolute maximum ratings" may cause permanent damage to the device. These are stress ratings only, and functional operation of the device at these or any other conditions beyond those indicated under "recommended operating conditions" is not implied. Exposure to absolute-maximum-rated conditions for extended periods may affect device reliability.
- (2) All voltage values, except differential voltages, are with respect to the midpoint between V<sub>CC+</sub> and V<sub>CC-</sub>.
- (3) The magnitude of the input voltage must never exceed the magnitude of the supply voltage.
- (4) Excessive input current will flow if a differential input voltage in excess of approximately 0.6 V is applied between the inputs, unless some limiting resistance is used.
- (5) The output may be shorted to ground or either power supply. Temperature and/or supply voltages must be limited to ensure the maximum dissipation rating is not exceeded.
- (6) The package thermal impedance is calculated in accordance with JESD 51-7.
- (7) Maximum power dissipation is a function of T<sub>J(max)</sub>, θ<sub>JA</sub>, and T<sub>A</sub>. The maximum allowable power dissipation at any allowable ambient temperature is P<sub>D</sub> = (T<sub>J(max)</sub> - T<sub>A</sub>)/θ<sub>JA</sub>. Operating at the absolute maximum T<sub>J</sub> of 150°C can affect reliability.

## RECOMMENDED OPERATING CONDITIONS

|           |                                | MIN             | MAX | UNIT |
|-----------|--------------------------------|-----------------|-----|------|
| $V_{CC+}$ | Supply voltage                 | 5               | 15  | V    |
| $V_{CC-}$ | Supply voltage                 | -5              | -15 | V    |
| $T_A$     | Operating free-air temperature | NE5532, NE5532A |     | °C   |
|           |                                | SA5532, SA5532A |     |      |

## ELECTRICAL CHARACTERISTICS

 $V_{CC\pm} = \pm 15\text{ V}$ ,  $T_A = 25^\circ\text{C}$  (unless otherwise noted)

| PARAMETER |   | TEST CONDITIONS <sup>(1)</sup>                                      |                                 | MIN      | TYP      | MAX  | UNIT       |
|-----------|---|---|---------------------------------|----------|----------|------|------------|
| $V_{IO}$  | Input offset voltage  | $V_O = 0$   | $T_A = 25^\circ\text{C}$        |          | 0.5      | 4    | mV         |
|           |   |   | $T_A = \text{Full range}^{(2)}$ |          |          | 5    |            |
| $I_{IO}$  | Input offset current  | $T_A = 25^\circ\text{C}$  |                                 |          | 10       | 150  | nA         |
|           |   | $T_A = \text{Full range}^{(2)}$                                     |                                 |          |          | 200  |            |
| $I_{IB}$  | Input bias current  | $T_A = 25^\circ\text{C}$  |                                 |          | 200      | 800  | nA         |
|           |   | $T_A = \text{Full range}^{(2)}$                                     |                                 |          |          | 1000 |            |
| $V_{ICR}$ | Common-mode input-voltage range                                     |   |                                 | $\pm 12$ | $\pm 13$ |      | V          |
| $V_{OPP}$ | Maximum peak-to-peak output-voltage swing                           | $R_L \geq 600\ \Omega$ , $V_{CC\pm} = \pm 15\text{ V}$              |                                 | 24       | 26       |      | V          |
| $A_{VD}$  | Large-signal differential-voltage amplification                     | $R_L \geq 600\ \Omega$ , $V_O = \pm 10\text{ V}$                    | $T_A = 25^\circ\text{C}$        | 15       | 50       |      | V/mV       |
|           |   |   | $T_A = \text{Full range}^{(2)}$ | 10       |          |      |            |
|           |   | $R_L \geq 2\text{ k}\Omega$ , $V_O = \pm 10\text{ V}$               | $T_A = 25^\circ\text{C}$        | 25       | 100      |      |            |
|           |   |   | $T_A = \text{Full range}^{(2)}$ | 15       |          |      |            |
| $A_{vd}$  | Small-signal differential-voltage amplification                     | $f = 10\text{ kHz}$   |                                 |          | 2.2      |      | V/mV       |
| $B_{OM}$  | Maximum output-swing bandwidth                                      | $R_L = 600\ \Omega$ , $V_O = \pm 10\text{ V}$                       |                                 |          | 140      |      | kHz        |
| $B_1$     | Unity-gain bandwidth  | $R_L = 600\ \Omega$ , $C_L = 100\text{ pF}$                         |                                 |          | 10       |      | MHz        |
| $r_i$     | Input resistance  |   |                                 | 30       | 300      |      | k $\Omega$ |
| $z_o$     | Output impedance  | $A_{VD} = 30\text{ dB}$ , $R_L = 600\ \Omega$ , $f = 10\text{ kHz}$ |                                 |          | 0.3      |      | $\Omega$   |
| CMRR      | Common-mode rejection ratio   | $V_{IC} = V_{ICR\text{ min}}$                                       |                                 | 70       | 100      |      | dB         |
| $k_{SVR}$ | Supply-voltage rejection ratio ( $\Delta V_{CC\pm}/\Delta V_{IO}$ ) | $V_{CC\pm} = \pm 9\text{ V}$ to $\pm 15\text{ V}$ , $V_O = 0$       |                                 | 80       | 100      |      | dB         |
| $I_{OS}$  | Output short-circuit current  |   |                                 | 10       | 38       | 60   | mA         |
| $I_{CC}$  | Total supply current  | $V_O = 0$ , No load   |                                 |          | 8        | 16   | mA         |
|           | Crosstalk attenuation ( $V_{O1}/V_{O2}$ )                           | $V_{O1} = 10\text{ V peak}$ , $f = 1\text{ kHz}$                    |                                 |          | 110      |      | dB         |

(1) All characteristics are measured under open-loop conditions, with zero common-mode input voltage, unless otherwise specified.

(2) Full temperature ranges are:  $-40^\circ\text{C}$  to  $85^\circ\text{C}$  for the SA5532 and SA5532A, and  $0^\circ\text{C}$  to  $70^\circ\text{C}$  for the NE5532 and NE5532A.

**OPERATING CHARACTERISTICS**

$V_{CC\pm} = \pm 15\text{ V}$ ,  $T_A = 25^\circ\text{C}$  (unless otherwise noted)

| PARAMETER |                                | TEST CONDITIONS   | NE5532, SA5532 |     |     | NE5532A, SA5532A |     |                        | UNIT                   |
|-----------|--------------------------------|---|----------------|-----|-----|------------------|-----|------------------------|------------------------|
|           |                                |   | MIN            | TYP | MAX | MIN              | TYP | MAX                    |                        |
| SR        | Slew rate at unity gain        |   | 9              |     |     | 9                |     |                        | V/ $\mu\text{s}$       |
|           | Overshoot factor               | $V_i = 100\text{ mV}$ , $R_L = 600\ \Omega$ ,<br>$A_{VD} = 1$ , $C_L = 100\text{ pF}$ | 10             |     |     | 10               |     |                        | %                      |
| $V_n$     | Equivalent input noise voltage | $f = 30\text{ Hz}$  | 8              |     |     | 8                | 10  | nV/ $\sqrt{\text{Hz}}$ |                        |
|           |                                | $f = 1\text{ kHz}$  | 5              |     |     | 5                | 6   |                        |                        |
| $I_n$     | Equivalent input noise current | $f = 30\text{ Hz}$  | 2.7            |     |     | 2.7              |     |                        | pA/ $\sqrt{\text{Hz}}$ |
|           |                                | $f = 1\text{ kHz}$  | 0.7            |     |     | 0.7              |     |                        |                        |

**PACKAGING INFORMATION**

| Orderable Device | Status <sup>(1)</sup> | Package Type | Package Drawing | Pins | Package Qty | Eco Plan <sup>(2)</sup>    | Lead/<br>Ball Finish | MSL Peak Temp <sup>(3)</sup> | Samples<br>(Requires Login) |
|------------------|-----------------------|--------------|-----------------|------|-------------|----------------------------|----------------------|------------------------------|-----------------------------|
| NE5532AD         | ACTIVE                | SOIC         | D               | 8    | 75          | Green (RoHS<br>& no Sb/Br) | CU NIPDAU            | Level-1-260C-UNLIM           |                             |
| NE5532ADE4       | ACTIVE                | SOIC         | D               | 8    | 75          | Green (RoHS<br>& no Sb/Br) | CU NIPDAU            | Level-1-260C-UNLIM           |                             |
| NE5532ADG4       | ACTIVE                | SOIC         | D               | 8    | 75          | Green (RoHS<br>& no Sb/Br) | CU NIPDAU            | Level-1-260C-UNLIM           |                             |
| NE5532ADR        | ACTIVE                | SOIC         | D               | 8    | 2500        | Green (RoHS<br>& no Sb/Br) | CU NIPDAU            | Level-1-260C-UNLIM           |                             |
| NE5532ADRE4      | ACTIVE                | SOIC         | D               | 8    | 2500        | Green (RoHS<br>& no Sb/Br) | CU NIPDAU            | Level-1-260C-UNLIM           |                             |
| NE5532ADRG4      | ACTIVE                | SOIC         | D               | 8    | 2500        | Green (RoHS<br>& no Sb/Br) | CU NIPDAU            | Level-1-260C-UNLIM           |                             |
| NE5532AIP        | OBSOLETE              | PDIP         | P               | 8    |             | TBD                        | Call TI              | Call TI                      |                             |
| NE5532AP         | ACTIVE                | PDIP         | P               | 8    | 50          | Pb-Free (RoHS)             | CU NIPDAU            | N / A for Pkg Type           |                             |
| NE5532APE4       | ACTIVE                | PDIP         | P               | 8    | 50          | Pb-Free (RoHS)             | CU NIPDAU            | N / A for Pkg Type           |                             |
| NE5532APSR       | ACTIVE                | SO           | PS              | 8    | 2000        | Green (RoHS<br>& no Sb/Br) | CU NIPDAU            | Level-1-260C-UNLIM           |                             |
| NE5532APSRE4     | ACTIVE                | SO           | PS              | 8    | 2000        | Green (RoHS<br>& no Sb/Br) | CU NIPDAU            | Level-1-260C-UNLIM           |                             |
| NE5532APSRG4     | ACTIVE                | SO           | PS              | 8    | 2000        | Green (RoHS<br>& no Sb/Br) | CU NIPDAU            | Level-1-260C-UNLIM           |                             |
| NE5532D          | ACTIVE                | SOIC         | D               | 8    | 75          | Green (RoHS<br>& no Sb/Br) | CU NIPDAU            | Level-1-260C-UNLIM           |                             |
| NE5532DE4        | ACTIVE                | SOIC         | D               | 8    | 75          | Green (RoHS<br>& no Sb/Br) | CU NIPDAU            | Level-1-260C-UNLIM           |                             |
| NE5532DG4        | ACTIVE                | SOIC         | D               | 8    | 75          | Green (RoHS<br>& no Sb/Br) | CU NIPDAU            | Level-1-260C-UNLIM           |                             |
| NE5532DR         | ACTIVE                | SOIC         | D               | 8    | 2500        | Green (RoHS<br>& no Sb/Br) | CU NIPDAU            | Level-1-260C-UNLIM           |                             |
| NE5532DRE4       | ACTIVE                | SOIC         | D               | 8    | 2500        | Green (RoHS<br>& no Sb/Br) | CU NIPDAU            | Level-1-260C-UNLIM           |                             |
| NE5532DRG4       | ACTIVE                | SOIC         | D               | 8    | 2500        | Green (RoHS<br>& no Sb/Br) | CU NIPDAU            | Level-1-260C-UNLIM           |                             |

| Orderable Device | Status <sup>(1)</sup> | Package Type | Package Drawing | Pins | Package Qty | Eco Plan <sup>(2)</sup>    | Lead/<br>Ball Finish | MSL Peak Temp <sup>(3)</sup> | Samples<br>(Requires Login) |
|------------------|-----------------------|--------------|-----------------|------|-------------|----------------------------|----------------------|------------------------------|-----------------------------|
| NE5532IP         | OBSOLETE              | PDIP         | P               | 8    |             | TBD                        | Call TI              | Call TI                      |                             |
| NE5532P          | ACTIVE                | PDIP         | P               | 8    | 50          | Pb-Free (RoHS)             | CU NIPDAU            | N / A for Pkg Type           |                             |
| NE5532PE4        | ACTIVE                | PDIP         | P               | 8    | 50          | Pb-Free (RoHS)             | CU NIPDAU            | N / A for Pkg Type           |                             |
| NE5532PSR        | ACTIVE                | SO           | PS              | 8    | 2000        | Green (RoHS<br>& no Sb/Br) | CU NIPDAU            | Level-1-260C-UNLIM           |                             |
| NE5532PSRE4      | ACTIVE                | SO           | PS              | 8    | 2000        | Green (RoHS<br>& no Sb/Br) | CU NIPDAU            | Level-1-260C-UNLIM           |                             |
| NE5532PSRG4      | ACTIVE                | SO           | PS              | 8    | 2000        | Green (RoHS<br>& no Sb/Br) | CU NIPDAU            | Level-1-260C-UNLIM           |                             |
| SA5532AD         | ACTIVE                | SOIC         | D               | 8    | 75          | Green (RoHS<br>& no Sb/Br) | CU NIPDAU            | Level-1-260C-UNLIM           |                             |
| SA5532ADE4       | ACTIVE                | SOIC         | D               | 8    | 75          | Green (RoHS<br>& no Sb/Br) | CU NIPDAU            | Level-1-260C-UNLIM           |                             |
| SA5532ADG4       | ACTIVE                | SOIC         | D               | 8    | 75          | Green (RoHS<br>& no Sb/Br) | CU NIPDAU            | Level-1-260C-UNLIM           |                             |
| SA5532ADR        | ACTIVE                | SOIC         | D               | 8    | 2500        | Green (RoHS<br>& no Sb/Br) | CU NIPDAU            | Level-1-260C-UNLIM           |                             |
| SA5532ADRE4      | ACTIVE                | SOIC         | D               | 8    | 2500        | Green (RoHS<br>& no Sb/Br) | CU NIPDAU            | Level-1-260C-UNLIM           |                             |
| SA5532ADRG4      | ACTIVE                | SOIC         | D               | 8    | 2500        | Green (RoHS<br>& no Sb/Br) | CU NIPDAU            | Level-1-260C-UNLIM           |                             |
| SA5532AP         | ACTIVE                | PDIP         | P               | 8    | 50          | Pb-Free (RoHS)             | CU NIPDAU            | N / A for Pkg Type           |                             |
| SA5532APE4       | ACTIVE                | PDIP         | P               | 8    | 50          | Pb-Free (RoHS)             | CU NIPDAU            | N / A for Pkg Type           |                             |
| SA5532D          | ACTIVE                | SOIC         | D               | 8    | 75          | Green (RoHS<br>& no Sb/Br) | CU NIPDAU            | Level-1-260C-UNLIM           |                             |
| SA5532DE4        | ACTIVE                | SOIC         | D               | 8    | 75          | Green (RoHS<br>& no Sb/Br) | CU NIPDAU            | Level-1-260C-UNLIM           |                             |
| SA5532DG4        | ACTIVE                | SOIC         | D               | 8    | 75          | Green (RoHS<br>& no Sb/Br) | CU NIPDAU            | Level-1-260C-UNLIM           |                             |
| SA5532DR         | ACTIVE                | SOIC         | D               | 8    | 2500        | Green (RoHS<br>& no Sb/Br) | CU NIPDAU            | Level-1-260C-UNLIM           |                             |
| SA5532DRE4       | ACTIVE                | SOIC         | D               | 8    | 2500        | Green (RoHS<br>& no Sb/Br) | CU NIPDAU            | Level-1-260C-UNLIM           |                             |
| SA5532DRG4       | ACTIVE                | SOIC         | D               | 8    | 2500        | Green (RoHS<br>& no Sb/Br) | CU NIPDAU            | Level-1-260C-UNLIM           |                             |

| Orderable Device | Status <sup>(1)</sup> | Package Type | Package Drawing | Pins | Package Qty | Eco Plan <sup>(2)</sup> | Lead/<br>Ball Finish | MSL Peak Temp <sup>(3)</sup> | Samples<br>(Requires Login) |
|------------------|-----------------------|--------------|-----------------|------|-------------|-------------------------|----------------------|------------------------------|-----------------------------|
| SA5532P          | ACTIVE                | PDIP         | P               | 8    | 50          | Pb-Free (RoHS)          | CU NIPDAU            | N / A for Pkg Type           |                             |
| SA5532PE4        | ACTIVE                | PDIP         | P               | 8    | 50          | Pb-Free (RoHS)          | CU NIPDAU            | N / A for Pkg Type           |                             |

<sup>(1)</sup> The marketing status values are defined as follows:

**ACTIVE:** Product device recommended for new designs.

**LIFEBUY:** TI has announced that the device will be discontinued, and a lifetime-buy period is in effect.

**NRND:** Not recommended for new designs. Device is in production to support existing customers, but TI does not recommend using this part in a new design.

**PREVIEW:** Device has been announced but is not in production. Samples may or may not be available.

**OBSELETE:** TI has discontinued the production of the device.

<sup>(2)</sup> Eco Plan - The planned eco-friendly classification: Pb-Free (RoHS), Pb-Free (RoHS Exempt), or Green (RoHS & no Sb/Br) - please check <http://www.ti.com/productcontent> for the latest availability information and additional product content details.

**TBD:** The Pb-Free/Green conversion plan has not been defined.

**Pb-Free (RoHS):** TI's terms "Lead-Free" or "Pb-Free" mean semiconductor products that are compatible with the current RoHS requirements for all 6 substances, including the requirement that lead not exceed 0.1% by weight in homogeneous materials. Where designed to be soldered at high temperatures, TI Pb-Free products are suitable for use in specified lead-free processes.

**Pb-Free (RoHS Exempt):** This component has a RoHS exemption for either 1) lead-based flip-chip solder bumps used between the die and package, or 2) lead-based die adhesive used between the die and leadframe. The component is otherwise considered Pb-Free (RoHS compatible) as defined above.

**Green (RoHS & no Sb/Br):** TI defines "Green" to mean Pb-Free (RoHS compatible), and free of Bromine (Br) and Antimony (Sb) based flame retardants (Br or Sb do not exceed 0.1% by weight in homogeneous material)

<sup>(3)</sup> MSL, Peak Temp. -- The Moisture Sensitivity Level rating according to the JEDEC industry standard classifications, and peak solder temperature.

**Important Information and Disclaimer:** The information provided on this page represents TI's knowledge and belief as of the date that it is provided. TI bases its knowledge and belief on information provided by third parties, and makes no representation or warranty as to the accuracy of such information. Efforts are underway to better integrate information from third parties. TI has taken and continues to take reasonable steps to provide representative and accurate information but may not have conducted destructive testing or chemical analysis on incoming materials and chemicals. TI and TI suppliers consider certain information to be proprietary, and thus CAS numbers and other limited information may not be available for release.

In no event shall TI's liability arising out of such information exceed the total purchase price of the TI part(s) at issue in this document sold by TI to Customer on an annual basis.

**TAPE AND REEL INFORMATION**
**REEL DIMENSIONS**

**TAPE DIMENSIONS**


|    |   |
|----|---|
| A0 | Dimension designed to accommodate the component width     |
| B0 | Dimension designed to accommodate the component length    |
| K0 | Dimension designed to accommodate the component thickness |
| W  | Overall width of the carrier tape                         |
| P1 | Pitch between successive cavity centers                   |

**TAPE AND REEL INFORMATION**

\*All dimensions are nominal

| Device     | Package Type | Package Drawing | Pins | SPQ  | Reel Diameter (mm) | Reel Width W1 (mm) | A0 (mm) | B0 (mm) | K0 (mm) | P1 (mm) | W (mm) | Pin1 Quadrant |
|------------|--------------|-----------------|------|------|--------------------|--------------------|---------|---------|---------|---------|--------|---------------|
| NE5532ADR  | SOIC         | D               | 8    | 2500 | 330.0              | 12.4               | 6.4     | 5.2     | 2.1     | 8.0     | 12.0   | Q1            |
| NE5532APSR | SO           | PS              | 8    | 2000 | 330.0              | 16.4               | 8.2     | 6.6     | 2.5     | 12.0    | 16.0   | Q1            |
| NE5532PSR  | SO           | PS              | 8    | 2000 | 330.0              | 16.4               | 8.2     | 6.6     | 2.5     | 12.0    | 16.0   | Q1            |
| SA5532ADR  | SOIC         | D               | 8    | 2500 | 330.0              | 12.4               | 6.4     | 5.2     | 2.1     | 8.0     | 12.0   | Q1            |
| SA5532DR   | SOIC         | D               | 8    | 2500 | 330.0              | 12.4               | 6.4     | 5.2     | 2.1     | 8.0     | 12.0   | Q1            |



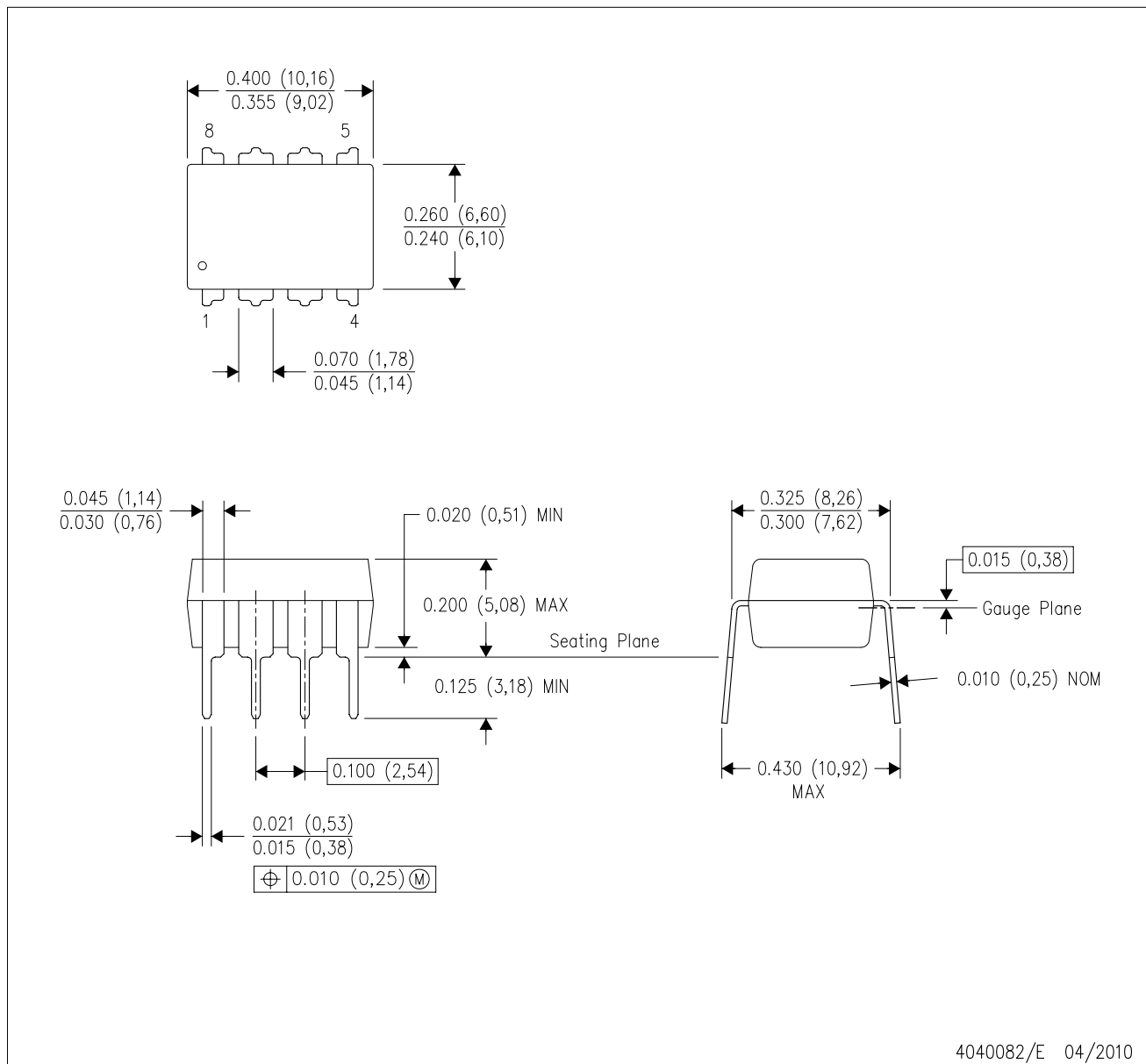
**TAPE AND REEL BOX DIMENSIONS**


\*All dimensions are nominal

| Device     | Package Type | Package Drawing | Pins | SPQ  | Length (mm) | Width (mm) | Height (mm) |
|------------|--------------|-----------------|------|------|-------------|------------|-------------|
| NE5532ADR  | SOIC         | D               | 8    | 2500 | 340.5       | 338.1      | 20.6        |
| NE5532APSR | SO           | PS              | 8    | 2000 | 346.0       | 346.0      | 33.0        |
| NE5532PSR  | SO           | PS              | 8    | 2000 | 346.0       | 346.0      | 33.0        |
| SA5532ADR  | SOIC         | D               | 8    | 2500 | 340.5       | 338.1      | 20.6        |
| SA5532DR   | SOIC         | D               | 8    | 2500 | 340.5       | 338.1      | 20.6        |

P (R-PDIP-T8)

PLASTIC DUAL-IN-LINE PACKAGE



D (R-PDSO-G8)

PLASTIC SMALL OUTLINE



NOTES: A. All linear dimensions are in inches (millimeters).  
 B. This drawing is subject to change without notice.  
 C. Body length does not include mold flash, protrusions, or gate burrs. Mold flash, protrusions, or gate burrs shall not exceed 0.006 (0,15) each side.  
 D. Body width does not include interlead flash. Interlead flash shall not exceed 0.017 (0,43) each side.  
 E. Reference JEDEC MS-012 variation AA.

D (R-PDSO-G8)

PLASTIC SMALL OUTLINE



4211283-2/D 06/11

- NOTES:
- All linear dimensions are in millimeters.
  - This drawing is subject to change without notice.
  - Publication IPC-7351 is recommended for alternate designs.
  - Laser cutting apertures with trapezoidal walls and also rounding corners will offer better paste release. Customers should contact their board assembly site for stencil design recommendations. Refer to IPC-7525 for other stencil recommendations.
  - Customers should contact their board fabrication site for solder mask tolerances between and around signal pads.

# MECHANICAL DATA

PS (R-PDSO-G8)

PLASTIC SMALL-OUTLINE PACKAGE



- NOTES:
- A. All linear dimensions are in millimeters.
  - B. This drawing is subject to change without notice.
  - C. Body dimensions do not include mold flash or protrusion, not to exceed 0,15.

## IMPORTANT NOTICE

Texas Instruments Incorporated and its subsidiaries (TI) reserve the right to make corrections, modifications, enhancements, improvements, and other changes to its products and services at any time and to discontinue any product or service without notice. Customers should obtain the latest relevant information before placing orders and should verify that such information is current and complete. All products are sold subject to TI's terms and conditions of sale supplied at the time of order acknowledgment.

TI warrants performance of its hardware products to the specifications applicable at the time of sale in accordance with TI's standard warranty. Testing and other quality control techniques are used to the extent TI deems necessary to support this warranty. Except where mandated by government requirements, testing of all parameters of each product is not necessarily performed.

TI assumes no liability for applications assistance or customer product design. Customers are responsible for their products and applications using TI components. To minimize the risks associated with customer products and applications, customers should provide adequate design and operating safeguards.

TI does not warrant or represent that any license, either express or implied, is granted under any TI patent right, copyright, mask work right, or other TI intellectual property right relating to any combination, machine, or process in which TI products or services are used. Information published by TI regarding third-party products or services does not constitute a license from TI to use such products or services or a warranty or endorsement thereof. Use of such information may require a license from a third party under the patents or other intellectual property of the third party, or a license from TI under the patents or other intellectual property of TI.

Reproduction of TI information in TI data books or data sheets is permissible only if reproduction is without alteration and is accompanied by all associated warranties, conditions, limitations, and notices. Reproduction of this information with alteration is an unfair and deceptive business practice. TI is not responsible or liable for such altered documentation. Information of third parties may be subject to additional restrictions.

Resale of TI products or services with statements different from or beyond the parameters stated by TI for that product or service voids all express and any implied warranties for the associated TI product or service and is an unfair and deceptive business practice. TI is not responsible or liable for any such statements.

TI products are not authorized for use in safety-critical applications (such as life support) where a failure of the TI product would reasonably be expected to cause severe personal injury or death, unless officers of the parties have executed an agreement specifically governing such use. Buyers represent that they have all necessary expertise in the safety and regulatory ramifications of their applications, and acknowledge and agree that they are solely responsible for all legal, regulatory and safety-related requirements concerning their products and any use of TI products in such safety-critical applications, notwithstanding any applications-related information or support that may be provided by TI. Further, Buyers must fully indemnify TI and its representatives against any damages arising out of the use of TI products in such safety-critical applications.

TI products are neither designed nor intended for use in military/aerospace applications or environments unless the TI products are specifically designated by TI as military-grade or "enhanced plastic." Only products designated by TI as military-grade meet military specifications. Buyers acknowledge and agree that any such use of TI products which TI has not designated as military-grade is solely at the Buyer's risk, and that they are solely responsible for compliance with all legal and regulatory requirements in connection with such use.

TI products are neither designed nor intended for use in automotive applications or environments unless the specific TI products are designated by TI as compliant with ISO/TS 16949 requirements. Buyers acknowledge and agree that, if they use any non-designated products in automotive applications, TI will not be responsible for any failure to meet such requirements.

Following are URLs where you can obtain information on other Texas Instruments products and application solutions:

### Products

|                        |  |
|------------------------|--|
| Audio                  | <a href="http://www.ti.com/audio">www.ti.com/audio</a>                               |
| Amplifiers             | <a href="http://amplifier.ti.com">amplifier.ti.com</a>                               |
| Data Converters        | <a href="http://dataconverter.ti.com">dataconverter.ti.com</a>                       |
| DLP® Products          | <a href="http://www.dlp.com">www.dlp.com</a>   |
| DSP                    | <a href="http://dsp.ti.com">dsp.ti.com</a>   |
| Clocks and Timers      | <a href="http://www.ti.com/clocks">www.ti.com/clocks</a>                             |
| Interface              | <a href="http://interface.ti.com">interface.ti.com</a>                               |
| Logic                  | <a href="http://logic.ti.com">logic.ti.com</a>                                       |
| Power Mgmt             | <a href="http://power.ti.com">power.ti.com</a>                                       |
| Microcontrollers       | <a href="http://microcontroller.ti.com">microcontroller.ti.com</a>                   |
| RFID                   | <a href="http://www.ti-rfid.com">www.ti-rfid.com</a>                                 |
| OMAP Mobile Processors | <a href="http://www.ti.com/omap">www.ti.com/omap</a>                                 |
| Wireless Connectivity  | <a href="http://www.ti.com/wirelessconnectivity">www.ti.com/wirelessconnectivity</a> |

### Applications

|                               |  |
|-------------------------------|--|
| Communications and Telecom    | <a href="http://www.ti.com/communications">www.ti.com/communications</a>                 |
| Computers and Peripherals     | <a href="http://www.ti.com/computers">www.ti.com/computers</a>                           |
| Consumer Electronics          | <a href="http://www.ti.com/consumer-apps">www.ti.com/consumer-apps</a>                   |
| Energy and Lighting           | <a href="http://www.ti.com/energy">www.ti.com/energy</a>                                 |
| Industrial                    | <a href="http://www.ti.com/industrial">www.ti.com/industrial</a>                         |
| Medical                       | <a href="http://www.ti.com/medical">www.ti.com/medical</a>                               |
| Security                      | <a href="http://www.ti.com/security">www.ti.com/security</a>                             |
| Space, Avionics and Defense   | <a href="http://www.ti.com/space-avionics-defense">www.ti.com/space-avionics-defense</a> |
| Transportation and Automotive | <a href="http://www.ti.com/automotive">www.ti.com/automotive</a>                         |
| Video and Imaging             | <a href="http://www.ti.com/video">www.ti.com/video</a>                                   |

TI E2E Community Home Page

[e2e.ti.com](http://e2e.ti.com)

Mailing Address: Texas Instruments, Post Office Box 655303, Dallas, Texas 75265  
Copyright © 2011, Texas Instruments Incorporated