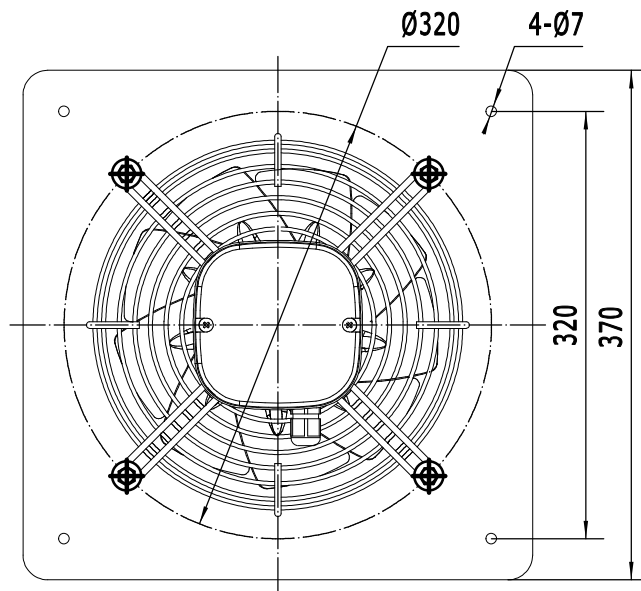
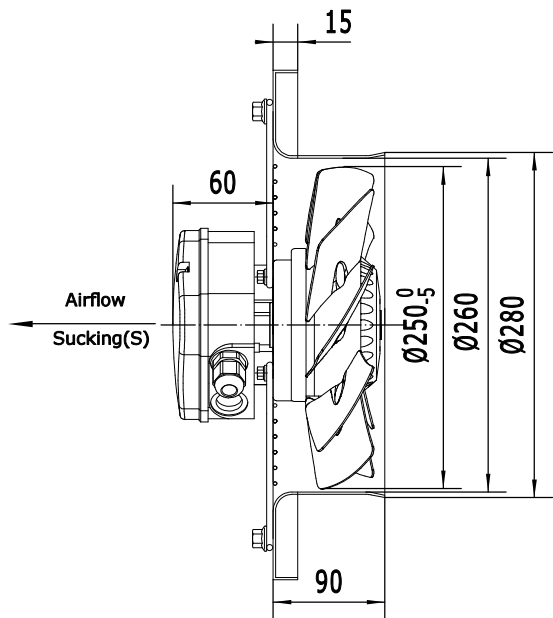


NO. B2E250S-2017-A0



SPECIFICATION 规格说明
HANGZHOU WEIGUANG ELECTRONIC CO.,LTD.

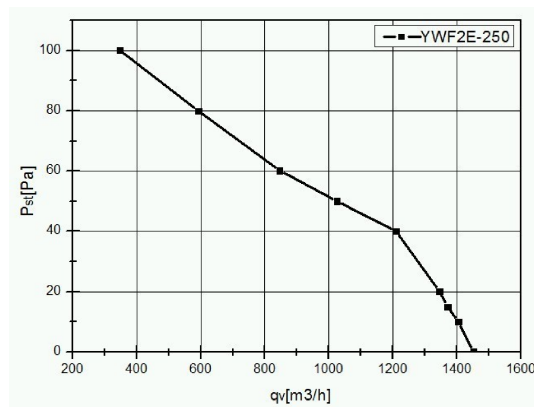


UNIT 类型	Axial fan motor 外转子轴流风机
MOTOR 电机型式	Single phase motor with capacitor
MOTOR TYPE 电机型号	YWF2E-250S-92/25-B
VOLTAGE 额定电压 (V)	220
FREQUENCY 频率 (Hz)	50
INPUT POWER 输入功率 (W)	90
CURRENT 电流 (A)	0.42
SPEED 转速 (r/min)	2400
AIR FLOW 20Pa 风量 (m ³ /h)	1310
NOISE 噪音 (dBA)	60
CAPACITOR 电容 (μF/450V)	3
ROTATION 旋转方向	CCW ,looking into the end-shield 逆时针, 从端盖端方向看
INSULATION CLASS 绝缘等级	B
MOTOR PROTECTION 电机保护	Thermocontact 135±5°C 热保护器
TEMPERATURE RISE 温升	75K max 运行温升不超过75K
PROTECTION CLASS 防护等级	IP44
OPERATING TYPE 工作定额	S1 连续工作制
AMBIENT TEMPERATURE 适用环境温度	-30°C +60°C
BEARINGS 轴承型式	Ball bearings 滚珠轴承
MOUNTING TYPE 安装方式	Square Frame 方框安装
ELECTRICAL CONNECTION 电源线	Lead wire Silicon 4G 0.50mm ² ,Length 100mm in terminal box connected 接线盒(4芯0.5mm ² 线长100mm)
APPROVALS 认证标记	CCC、CE
NET WEIGHT/GROSS WEIGHT 净重/毛重	3.5/4.0kg
PACKING 包装	39.0*39.0*17.5cm

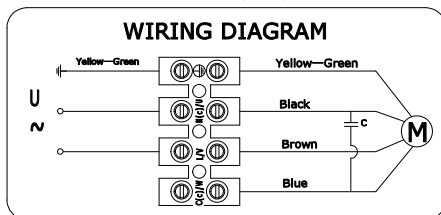
LABEL (铭牌):



FLOW RATE CURVE (风量曲线):



WIRING DIAGRAM (接线图):



REV.	DESCRIPTION	APPROVED	DATE	DRN. BY	SIGN	DATE	TITLE
				CHD. BY			YWF2E-250S-92/25-B
				ENG. BY			
				APP. BY			PROJECTION
							A4 SCALE SHEET: of