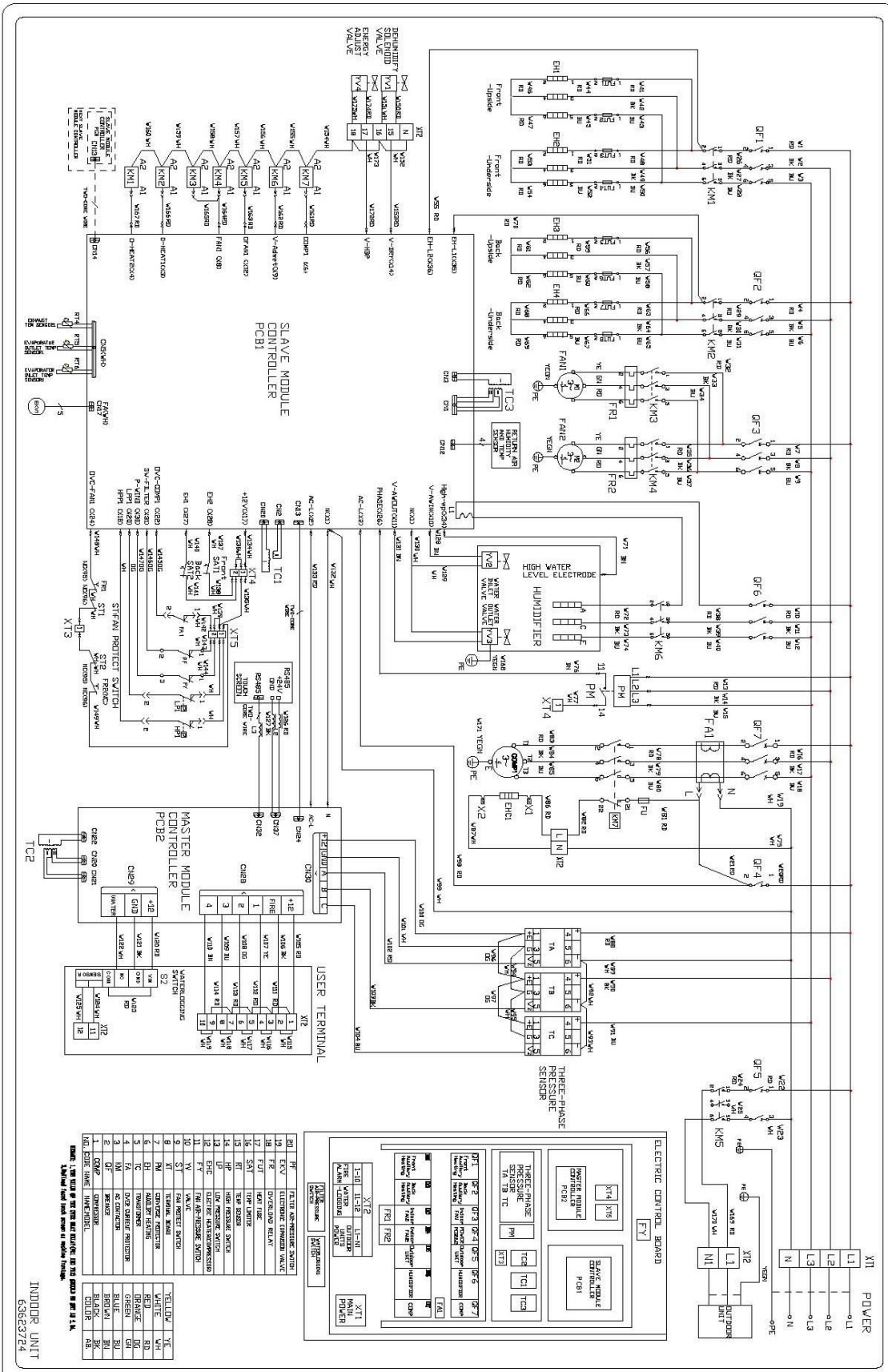
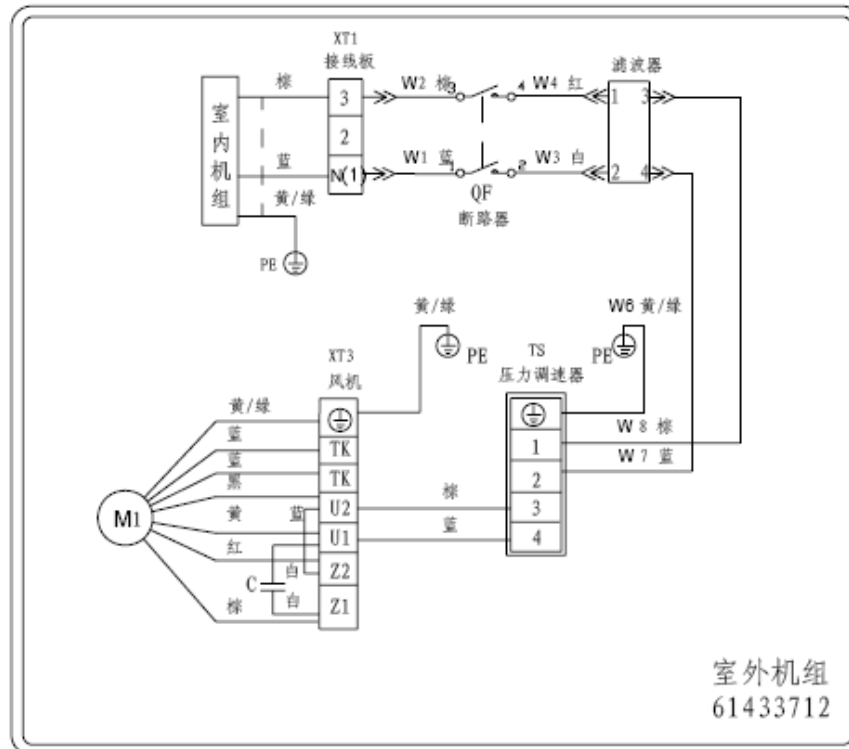


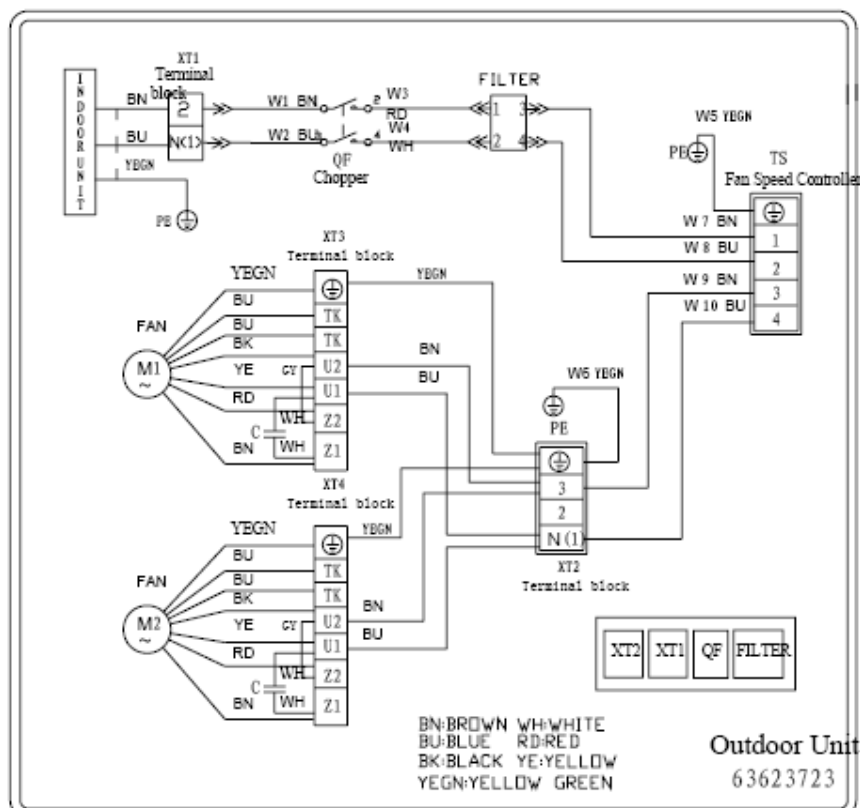
## 4.2.7 Indoor Unit JKFD40C/Na-M(I)



#### 4.2.8 Outdoor Unit JKFD5/Na-E(O)、JKFD7/Na-E(O)、JKFD13/Na-M(O)、JKFD19/Na-M(O)、JKFD13/NaA-M(O)、JKFD19/NaA-M(O)











#### 4.2.9 Outdoor Unit JKFD40/Na-M(O)



### 4.3 Introduction for Main Electric Parts



Name	Picture	Function
------	---------	----------



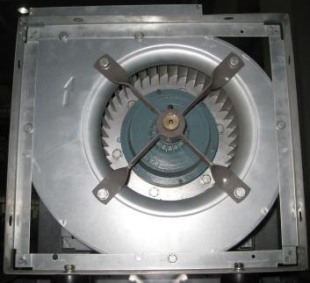


<p>AC contactor</p>		<p>AC contactor controls the power supply for compressor, indoor fan, outdoor fan, Electric heater pipe, electrode humidifier. When the working power terminal of contactor is energized, the contactor, main contact and auxiliary contact which are normally open will be conductive. The auxiliary contact which is normally closed will be off. Working voltage of coil is 220V~.</p>
<p>Air switch</p>		<p>When there is overload or short circuit, air switch will be activated to cut off the power to protect the unit.</p>
<p>Overcurrent protector</p>		<p>Overcurrent protector will detect the current to the wire of a load. When the current is bigger than the activation value of overcurrent protector, its normally closed contact will be off. This contact usually connects to the port of alarm of controller so at that time, the controller will give alarm.</p>
<p>Fusible cutout</p>		<p>If fusible cutout connects to circuit, controller will not give alarm but electric heater will not work. In that case, the fusible cutout may be damaged. Check if it is still conductive by universal meter. If it is conductive, it is good while if not, it is damaged.</p>
<p>Thermostat</p>		<p>When thermostat connects to circuit, if controller gives alarm, electric heat doesn't work and fusible cutout doesn't have malfunction, the thermostat may have malfunction. Check if it is still conductive by universal meter. If it is conductive, it is good while if not, it is damaged.</p>
<p>Thermal relay</p>		<p>Thermal relay will detect the current to the wire of a load. When the current is bigger than the activation value of thermal relay, its normally open contact will close and its normally closed contact will be off. The normal closed contact usually connects to the port of alarm of controller so at that time, the controller will give alarm. Installation of thermal relay includes independent type and integrated type. The independently installed thermal relay is separate from AC contactor and installed below the AC contactor.</p>

Phase reversal protector		<p>After three-phase power supply is connected, measure output contact of phase reversal protector is closed. If it is closed, the phase sequence is correct while if not, the sequence is wrong, which shall be solved by switching any two wire of the three-phase power.</p>
Flooding switch		<p>It is used to detect if there is water on floor.</p>

## 5. Disassembly and Assembly of the Unit

### 5.1 Introduction to Key Parts

Picture	Name	Function
	Compressor	Core of cooling system; provides energy for cyclic flow of refrigerant
	Electronic Expansion Valve	Throttle device inside the cooling system. Throttle liquid refrigerant with high pressure and reduce its pressure; Guarantee pressure difference between condenser and evaporator; Make refrigerant entering evaporator evaporate and absorb heat under designed low pressure and adjust its quantity to adapt the change of evaporator load so that the system can stably operate.

	<p>Solenoid valve</p>	<p>Turn on or off the pipeline of refrigerant system to control flow of refrigerant. There are feed Solenoid valve, dry Solenoid valve and by-pass Solenoid valve.</p>
	<p>Humidifier</p>	<p>Humidify the air</p>
	<p>Centrifugal fan</p>	<p>Make air circularly flow and forcely exchange heat with evaporator. The motor of outer rotor type centrifugal fan is built-in which doesn't need to be maintained during operation.</p>
	<p>Auxiliary electric heater</p>	<p>For heating air.</p>
	<p>Condenser fan</p>	<p>Outdoor fan for heat exchange will force air to exchange heat with outdoor heat exchanger</p>



Speed regulator of condenser fan

By sensing the change of condensing pressure, it controls the speed of condenser fan. It can effectively control condensing pressure during low temperature refrigeration.

## 5.2 Assembly and Disassembly of Parts

### 5.2.1 Compressor

#### (1) Removal of Compressor

- ◆ Cut off power supply of the unit;
- ◆ Reclaim the refrigerant;
- ◆ Remove suction and discharge pipes of compressor
- ◆ Remove power line of compressor
- ◆ Remove retaining bolt of compressor
- ◆ Remove compressor

#### (2) Assemble compressor

- ◆ Place the compressor;
- ◆ Screw the retaining bolt of compressor;
- ◆ Assemble suction and discharge pipes of compressor;
- ◆ Assemble power cord of compressor;
- ◆ Vacuumize the system and maintain the pressure to make sure leak tightness of the system;
- ◆ Recharge refrigerant.



### 5.2.2 Centrifugal fan

#### (1) Remove fan

- ◆ Cut off power supply for the unit;
- ◆ Remove retaining bolt;
- ◆ Remove connecting line between fan and mainboard;
- ◆ Remove rubber washer
- ◆ Remove compressor

#### (2) Assemble fan

- ◆ Assemble rubber washer
- ◆ Assemble fan
- ◆ Assemble retaining bolt;
- ◆ Assemble connecting line between the fan and the mainboard.



### 5.2.3 Humidifier

Humidifier Consists of three main parts: humidifying tank, discharge, valve and feed valve

(1) Replace humidifying tank:

Disassembly steps:

- ◆ Catch joint of electrode and push it downward for 2mm along the steam cylinder.
- ◆ Loosen clamp of humidifying tank and open its cover;
- ◆ Remove the electrode;
- ◆ Remove O type joint ring of electrode

Assembly steps:

Assemble the humidifier based on the reverse steps of the disassembly.

Note:

- ◆ Before assembly of humidifying tank, check the O type joint ring. If it is damaged, replace it;
- ◆ Place the O type joint ring on electrode and insert the electrode into the cover of humidifying tank. Make sure the joint is locked;
- ◆ Place the humidifying cover on proper position and fix it with clamp;
- ◆ Place the humidifying tank on retaining device on both sides or the rear. Push the tank downward along the discharge valve until it can't be pushed anymore.

(2) Replace discharge valve

Before removal of discharge valve, remove dehumidifying tank firstly. The steps are as follows:

- ◆ Remove cable;
- ◆ Loosen hose clamp and remove water-in hose;
- ◆ Remove 2 retaining screws and discharge valve;
- ◆ Disassembly of discharge valve: firstly remove nut A and then coil B. Catch retaining ring C and remove valve D vertically. Then separate the ring from valve.

The steps of assembly of discharge valve are reverse steps of disassembly.

(3) Replace feed valve:

Before removal of feed valve, remove humidifying tank firstly. The steps are as follows:

- ◆ Remove cable;
- ◆ Loosen hose clamp and separate water-in hose;
- ◆ Remove water-in nut.
- ◆ Remove 2 retaining screws and discharge valve.

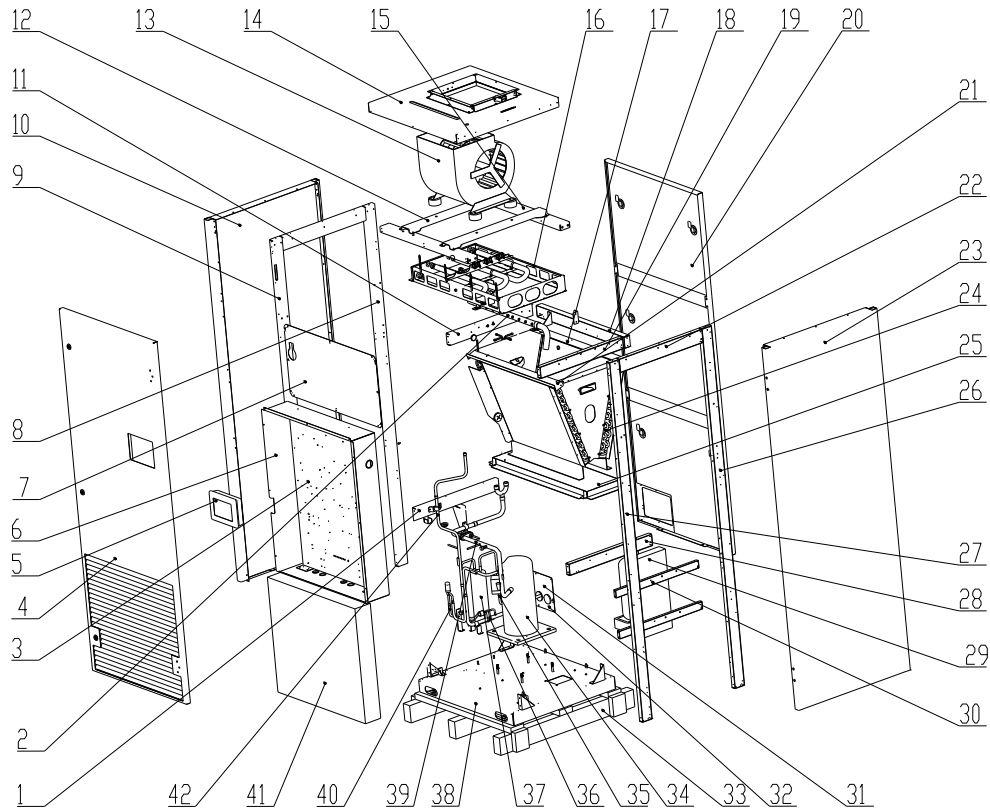
Assembly of feed valve are reverse steps above.



## 6. Exploded View and Parts List

(1) Indoor Unit JKFD5DQS/Na-E(I)、JKFD5DC/Na-E(I)

- ◆ Exploded view of JKFD5DQS/Na-E(I) ( applicable to JKFD5DC/Na-E(I) )



◆ Parts' list for JKFD5DQS/Na-E(I) (Product code: EJ130N0250)

No.	Part Name	Material Code	Q'ty
1	Lower longitudinal beam (left)	01873832	1
2	Nozzle sub-assy	05023834	1
3	Mounting plate sub-assy for electric parts	01323781	1
4	Front panel sub-assy	02223783	1
5	Touch screen ZE130	35018017	1
6	Electric parts JKFD5DQS/Na-E(I)	01393888	1
7	Upper sealing plate	01493742	1
8	Column sub-assy (left rear)	01853775	1
9	Column sub-assy (left front)	01853776	1
10	Left panel	01543828	1
11	Middle longitudinal beam (left)	01873834	1
12	Mounting beam of fan	01323782P	2
13	Centrifugal fan SYZ8-8GR	15403719	1
14	Top panel	01263751	1
15	Cross beam of fan	01873861P	2
16	electric heater BKR 3000W/380V	32103709	1
17	Connection plate 3 (evaporator)	01343773	1
18	Cross beam	01873817P	1
19	Middle longitudinal beam (right)	01873833	1
20	Rear panel	01543825	1
21	Connection plate 4 (evaporator)	01343772	1
22	Upper longitudinal beam	01873835	2
23	Right panel	01543827	1
24	Evaporator	01023735	1



25	Water tray	01283804P	1
26	Column sub-assy (right rear)	01853773	1
27	Column sub-assy (right front)	01853774	1
28	Lower longitudinal beam	01873831	1
29	Electrode humidifier	07493702	1
30	Mounting beam sub-assy	01323786P	2
31	Sealing plate 1	01345210P	1
32	Packing base	50233733	1
33	Sealing plate 2	01345211P	1
34	Compressor and fittings ZP24KSE-PFZ-522	00203720	1
35	Feed pipe sub-assy 1	04223817	1
36	Discharge pipe	04633782	1
37	Two-way liquid storage tank	07228741	1
38	Base	01283802	1
39	Air-return pipe	04673813	1
40	Feed pipe sub-assy 2	04223818	1
41	Primary strainer assy	07413720	1
42	Feed pipe sub-assy 3	04323804	1

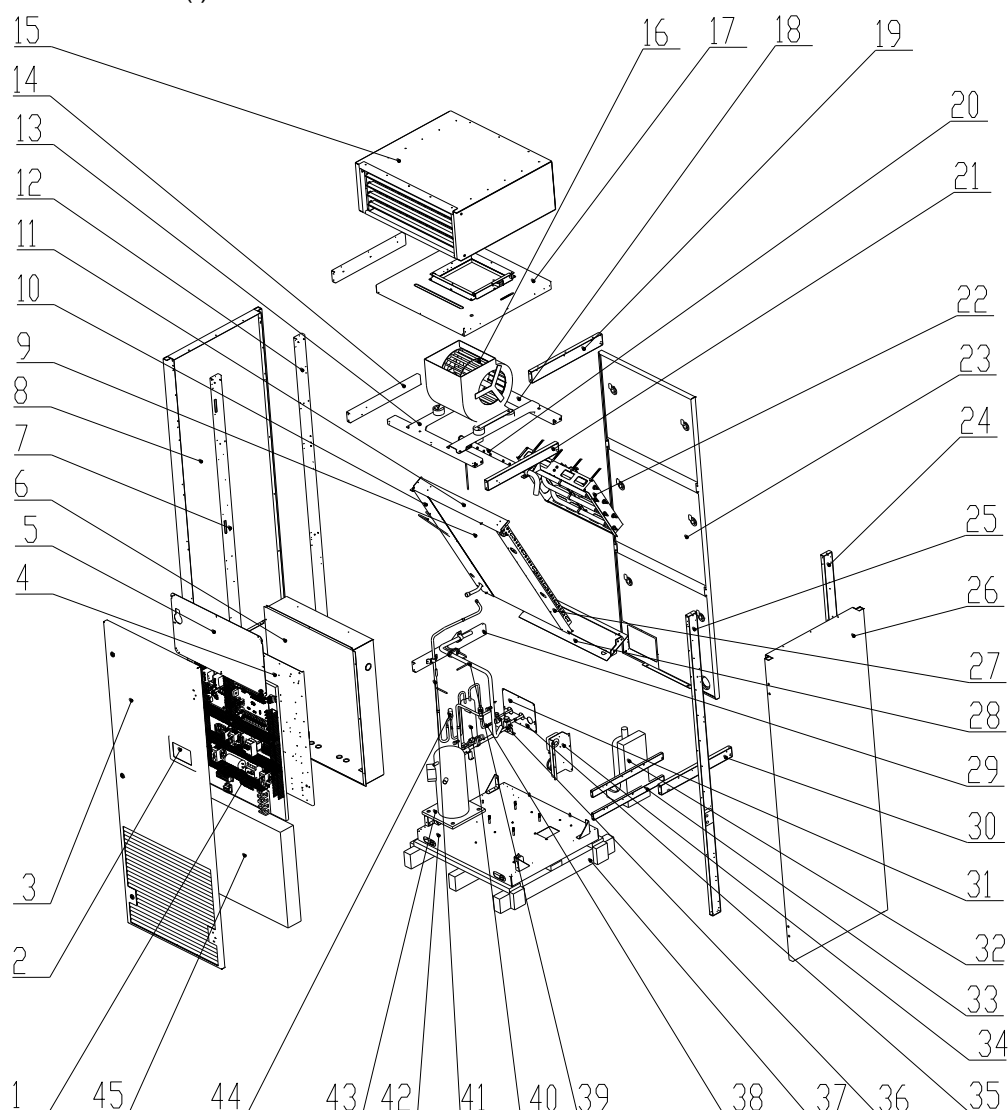
( Refer to actual products for unit structure and materials. )

◆ Parts list of model JKFD5DC/Na-E(I)

Compared with model JKFD5DQS/Na-E(I), it just adds false ogive. So please refer to parts list of model JKFD5DQS/Na-E(I).

(2) Indoor Unit JKFD7DC/Na-E(I)、JKFD7DQS/Na-E(I)、JKFD7C/Na-M(I)、JKFD7QS/Na-M(I)

◆ Exploded view of JKFD7DC/Na-E(I) ( applicable to JKFD7DQS/Na-E(I)、 JKFD7C/Na-M(I)、 JKFD7QS/Na-M(I) )



◆ Parts list of modle JKFD7DC/Na-EI) ( Product code: EJ13000230)

No.	Part Name	Material Code	Q'ty
1	Electric box JKFD7DQS(I)	01393775	1
2	Touch screen ZE130	35018017	1
3	Front panel sub-assy	02223783	1
4	Mounting plate sub-assy for electric parts	01323781	1
5	Upper sealing plate	01493742	1
6	Electric cabinet	01393777P	1
7	Column sub-assy (left front)	01853776	1
8	Left panel	01543828	1
9	Evaporator	01023730	1
10	Connection plate 2 (evaporator)	01343765	1
11	Connection plate 1 (evaporator)	01343784	1
12	Column sub-assy (left rear)	01853775	1
13	Mounting beam of fan	01323782P	2

14	Middle longitudinal beam (left)	01873873	1
15	False ogive	01523713	1
16	Centrifugal fan SYZ8-8GR	15403719	1
17	Top panel	01263751	1
18	Cross beam of fan	01873861P	2
19	Upper longitudinal beam	01873835	2
20	Nozzle sub-assy	05023834	1
21	Middle longitudinal beam (right)	01873872	1
22	electric heater BKR 3000W/380V	32103714	1
23	Rear panel	01543825	1
24	Column sub-assy (right rear)	01853773	1
25	Column sub-assy (right front)	01853774	1
26	Right panel	01543827	1
27	Connection plate 3 (evaporator)	01343766	1
28	Water tray	01283841P	1
29	Lower longitudinal beam (left)	01873875	1
30	Lower longitudinal beam	01873874	1
31	Sealing plate 1	01345210P	1
32	Electrode humidifier	07493702	1
33	Mounting beam sub-assy	01323786P	2
34	Pressure difference switch	01323784	1
35	Sealing plate 2	01345211P	1
36	Discharge pipe	04633782	1
37	Packing base	50233733	1
38	Feed pipe sub-assy 1	04223817	1
39	Air-return pipe	04673813	1
40	Two-way liquid storage tank	07228741	1
41	Feed pipe sub-assy 3	04323889	1
42	Base	01283802	1
43	Compressor and fittings ZP31KSE-PFZ-522	00103234	1
44	Feed pipe sub-assy 2	04223818	1
45	Primary strainer assy	07413720	1

◆ Parts' list of JKFD7DQS/Na-E(I) (Product code: EJ13000040)

Compared with model JKFD7DC/Na-E(I), it just doesn't have false ogive. So please refer to parts list of model JKFD7DC/Na-E(I).

◆ Parts' list of JKFD7C/Na-M(I)

No.	Part Name	Material Code	Q'ty
1	Electric box JKFD7QS/Na	01393700025	1
2	Touch screen ZE130	35018017	1
3	Front panel sub-assy	02223783	1

4	Mounting plate sub-assy for electric parts	01323795	1
5	Upper sealing plate	01493742	1
6	Electric cabinet	01393777P	1
7	Column sub-assy (left front)	01853776	1
8	Left panel	01543828	1
9	Evaporator	01023730	1
10	Connection plate 2 (evaporator)	01343765	1
11	Connection plate 1 (evaporator)	01343784	1
12	Column sub-assy (left rear)	01853775	1
13	Mounting beam of fan	01323794P	2
14	Middle longitudinal beam (left)	01873873	1
15	False ogive	01523713	1
16	Centrifugal fan SYB-225I(0.32-6)	15403718	1
17	Top panel	01263758	1
18	Cross beam of fan	01873861P	2
19	Upper longitudinal beam	01873835	2
20	Nozzle sub-assy	05023834	1
21	Middle longitudinal beam (right)	01873872	1
22	electric heater BKR 3000W/380V	32103710	1
23	Rear panel	01543825	1
24	Column sub-assy (right rear)	01853804	1
25	Column sub-assy (right front)	01853802	1
26	Right panel	01543827	1
27	Connection plate 3 (evaporator)	01343766	1
28	Water tray	01283841P	1
29	Lower longitudinal bea (left)	01873875	1
30	Lower longitudinal beam	01873874	1
31	Sealing plate 1	01345210P	1
32	Electrode humidifier KUE0202000	07493701	1
33	Mounting beam sub-assy	01323786P	2
34	Pressure difference switch	01323784	1
35	Sealing plate 2	01345211P	1
36	Discharge pipe	04633700011	1
37	Packing base	50233733	1
38	Feed pipe sub-assy 1	04323700109	1
39	Air-return pipe	04673813	1
40	Two-way liquid storage tank	07228741	1
41	Feed pipe sub-assy 3	04323889	1
42	Base	01283851	1
43	Compressor and fittings ZP31KSE-TFM-522	00203711	1
44	Feed pipe sub-assy 2	04323700110	1

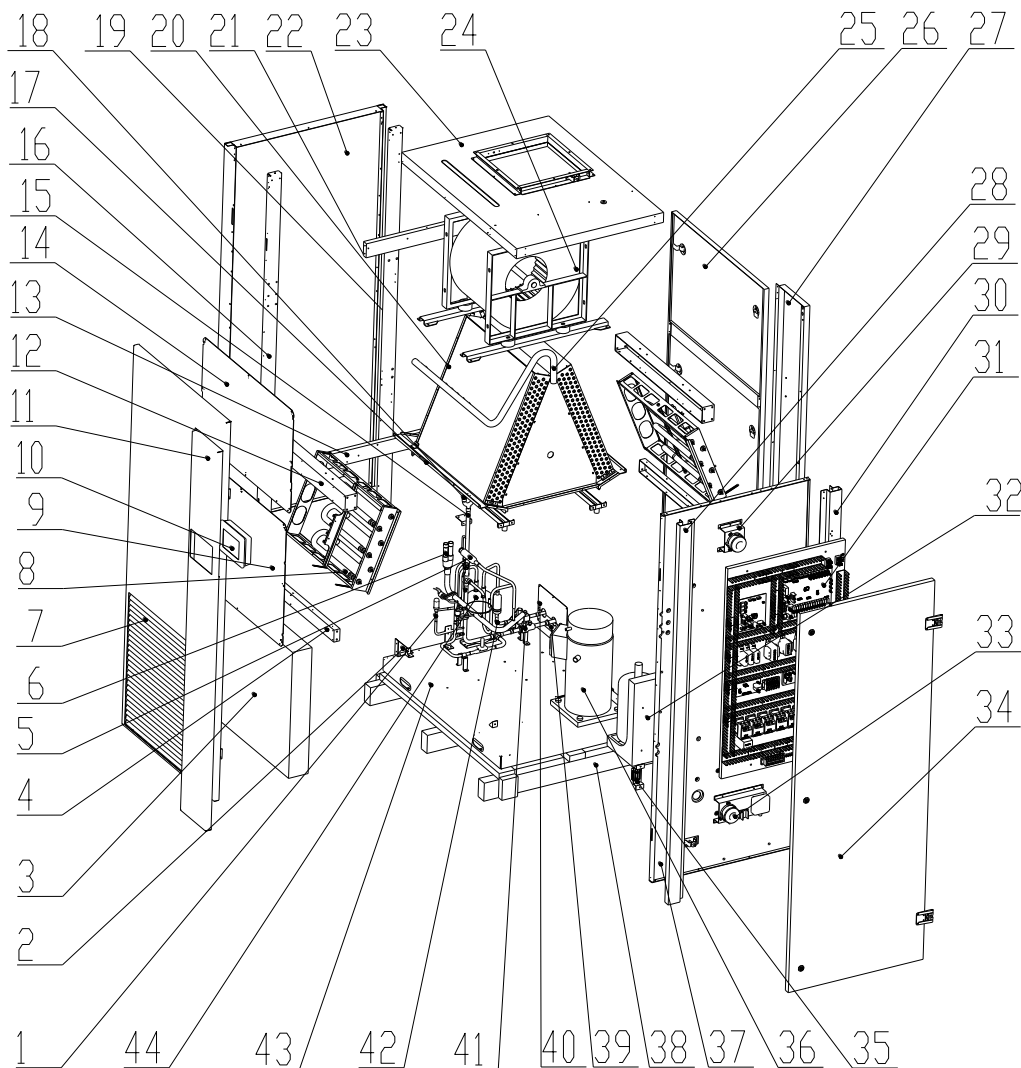
45	Primary strainer assy	07413720	1
----	-----------------------	----------	---

◆ Parts' list of JKFD7QS/Na-M(I)

Compared with model JKFD7C/Na-M(I), it just doesn't have false ogive. So please refer to parts list of model JKFD7C/Na(I).

(3) Indoor Unit JKFD13C/Na-M(I)、JKFD13QS/Na-M(I)

◆ Exploded view of JKFD13QS/Na-M(I) (applicable to JKFD13C/Na-M(I))



◆ Parts' list of JKFD13QS/Na-M(I)

No.	Part Name	Material Code	Q'ty
1	Feed pipe sub-assy 1	04233708	1
2	Column angle bracket	02285205	2
3	Primary strainer	07415201	1
4	Cross beam	01875216	2
5	Hot gas bypass valve sub-assy	-	1
6	Air-return pipe	04673827	1
7	Front panel	01545223	1
8	Electric heater BKR3000W/380V	32105204	2

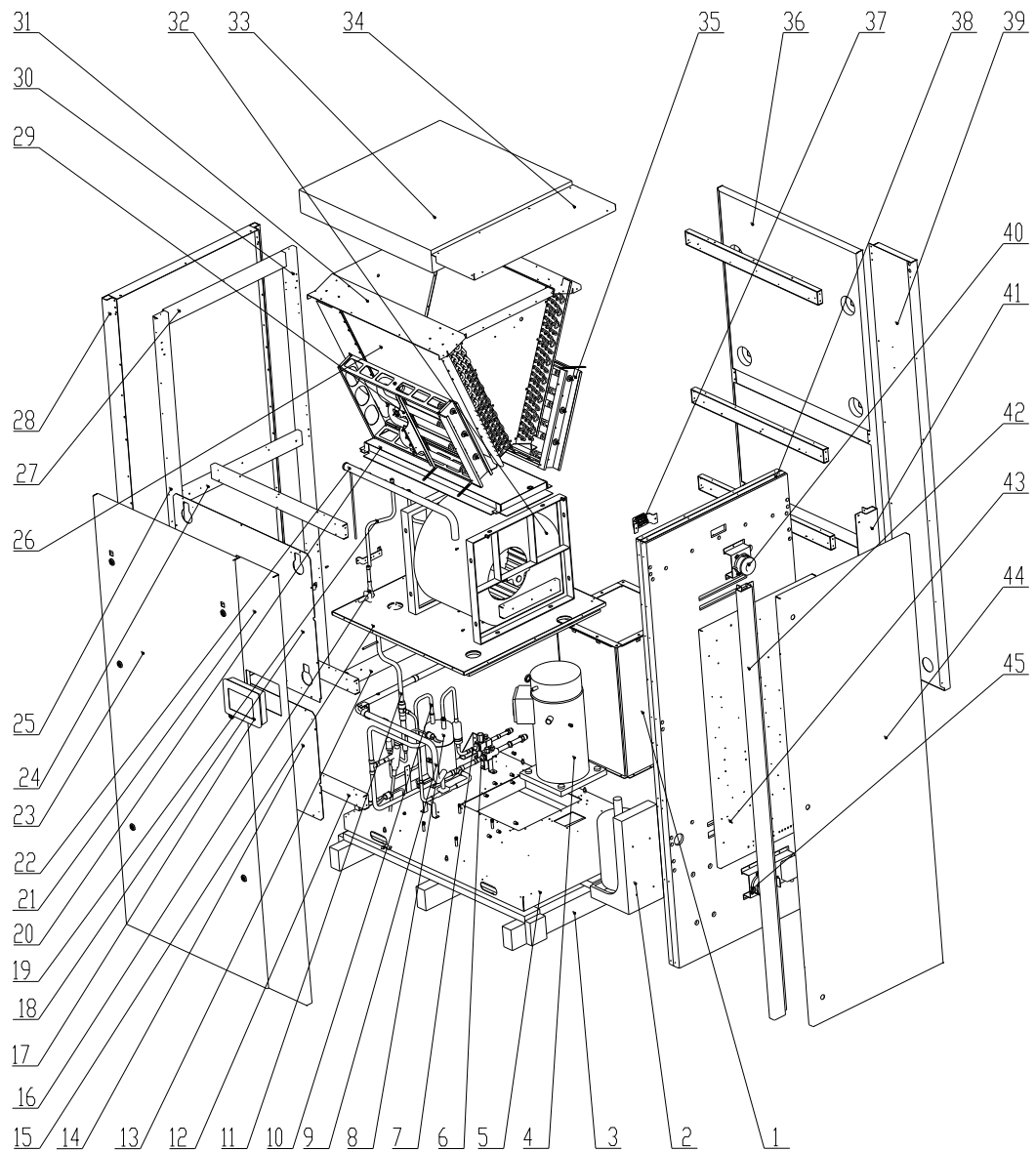
9	Lower sealing plate sub-assy	01495217	1
10	Touch screen ZE130	35018017	1
11	Front panel (electric control)	01545215P	1
12	Cross beam	01875216	2
13	Lower longitudinal beam	01875214	1
14	Upper sealing plate	01495216	1
15	Feed pipe sub-assy 2	004223877	1
16	Column sub-assy (left front)	01855205	1
17	Water tray	01285241P	2
18	Feed pipe sub-assy 3	04323761	1
19	Column sub-assy (left rear)	01855207	1
20	Evaporator	01025241	1
21	Upper longitudinal beam	01875215	1
22	Left panel	01545218P	1
23	Top panel	01265235	1
24	Centrifugal fan SYB-315	150184042	1
25	Nozzle sub-assy	05025313	1
26	Rear panel	01545219	1
27	Rear panel (electric control)	01545216P	1
28	Column (right front)	01855209P	1
29	Pressure difference switch2	01325237	1
30	Column sub-assy (right rear)	01855210P	1
31	Electric box JKFD13QS/NaI	01393887	1
32	Electrode humidifier KUE0202000	07493701	1
33	Pressure difference switch1	01325236	1
34	Right door panel assy	01875224	1
35	Inspection plate ZE015	30270005	1
36	Compressor and fittings ZP61KCE-TFD-522	00205272	1
37	Isolation plate	01245213	1
38	Packing base	50235212	1
39	Sealing plate 2	01345211P	1
40	Sealing plate 1	01345210P	1
41	Discharge pipe	04633797	1
42	Feed pipe sub-assy 1	04233708	1
43	Base	01285237	1
44	Liquid storage tank	07422204	1

◆ Parts' list of JKFD13C/Na-M(I)

Compared with model JKFD13QS/Na-M(I), it just add false ogive (01523712) . So please refer to parts list of model JKFD13QS/Na-M(I).

**(4) Indoor Unit JKFD13SX/Na-M(I)**

◆ Exploded view of JKFD13SX/Na-M(I)



◆ Parts' list of JKFD13SX/Na-M(I)

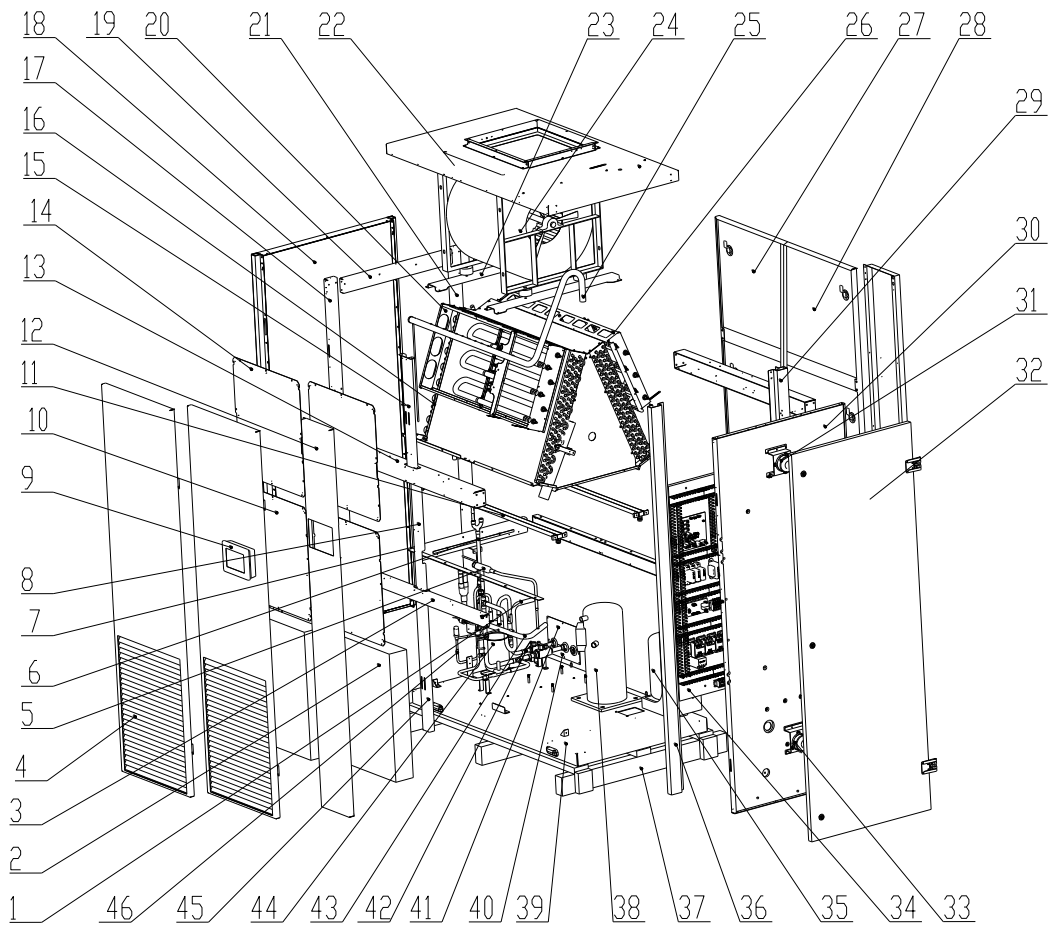
No.	Part Name	Material Code	Q'ty
1	Horizontal louver	01373709	2
2	Electrode humidifier KUE0202000	07493701	1
3	Packing base	50235212	1
4	Compressor and fittings ZP61KCE-TFD-522	00205272	1
5	Base	01283775	1
6	Discharge pipe	04633736	1
7	Feed pipe sub-assy 1	04325411	1
8	Liquid storage tank	07422204	1
9	Air-return pipe	04673746	1
10	Feed pipe 4	04323787	1
11	Feed pipe sub-assy 2	04323788	1
12	Cross beam	01873803P	6
13	Lower longitudinal beam	01873801	1

14	Lower sealing plate sub-assy	01493736	1
15	Installation plate of fan	01323762P	1
16	Feed pipe sub-assy 3	04323789	1
17	Touch screen ZE130	35018017	1
18	Upper sealing plate	01493735	1
19	Connection pipe (diverter)	05023773	1
20	Water tray	01283778P	1
21	Front panel (electric control)	01545215P	1
22	Nozzle sub-assy	05023763	1
23	Front panel	01643722	1
24	Middle longitudinal beam	01873802	2
25	Column (left front)	01853749	1
26	Evaporator	01023725	1
27	Upper longitudinal beam	01873804	1
28	Left panel	01543858	1
29	Electric heater BKR3000W/380V	32105204	1
30	Column (left rear)	01853750	1
31	Connection plate 3 (evaporator)	01343754	2
32	Centrifugal fan SYB-315I(1.1-6)	15403717	1
33	Primary strainer assy	07413711	1
34	Top panel	01263738P	1
35	Electric heater BKR3000W/380V	32105205	1
36	Rear panel	01643721	1
37	Inspection plate ZE015	30270005	1
38	Isolation sheet	01243740P	1
39	Rear panel (electric control)	01545216P	1
40	Pressure difference switch2	01325237	1
41	Column sub-assy (right rear)	01855210P	1
42	Column (right front)	01855209P	1
43	Mounting plate of electric part	01323763	1
44	Right door panel assy	01875224	1
45	Pressure difference switch1	01325236	1

**(5) Indoor Unit JKFD19C/Na-M(I)、JKFD19QS/Na-M(I)**

- ◆ Exploded view of JKFD19QS/Na-M(I) (applicable to JKFD19C/Na-M(I))





◆ Parts' list of JKFD19QS/Na-M(I)

No.	Part Name	Material Code	Q'ty
1	Discharge pipe	04633799	1
2	Primary strainer assy	07413712	2
3	Cross beam	01873792	2
4	Front panel	01643704	2
5	Hot gas bypass valve sub-assy	-	1
6	Feed pipe	04233718	1
7	Lower longitudinal beam	01875214	1
8	Column (middle)	01853788P	1
9	Touch screen ZE130	35018017	1
10	Lower sealing plate sub-assy	01493731	2
11	Water tray	01283769P	2
12	Front panel (electric control)	01545215P	1
13	Cross beam of fan	01873794P	2
14	Upper sealing plate	01493729	2
15	Column (upper)	01853787P	1
16	Evaporator	01023723	1
17	Column sub-assy (left front)	01855205	1
18	Left panel	01543858	1
19	Upper longitudinal beam	01875215	1
20	Electric heater BKR4500W/380V	32103707	1
21	Column sub-assy (left rear)	01855207	1

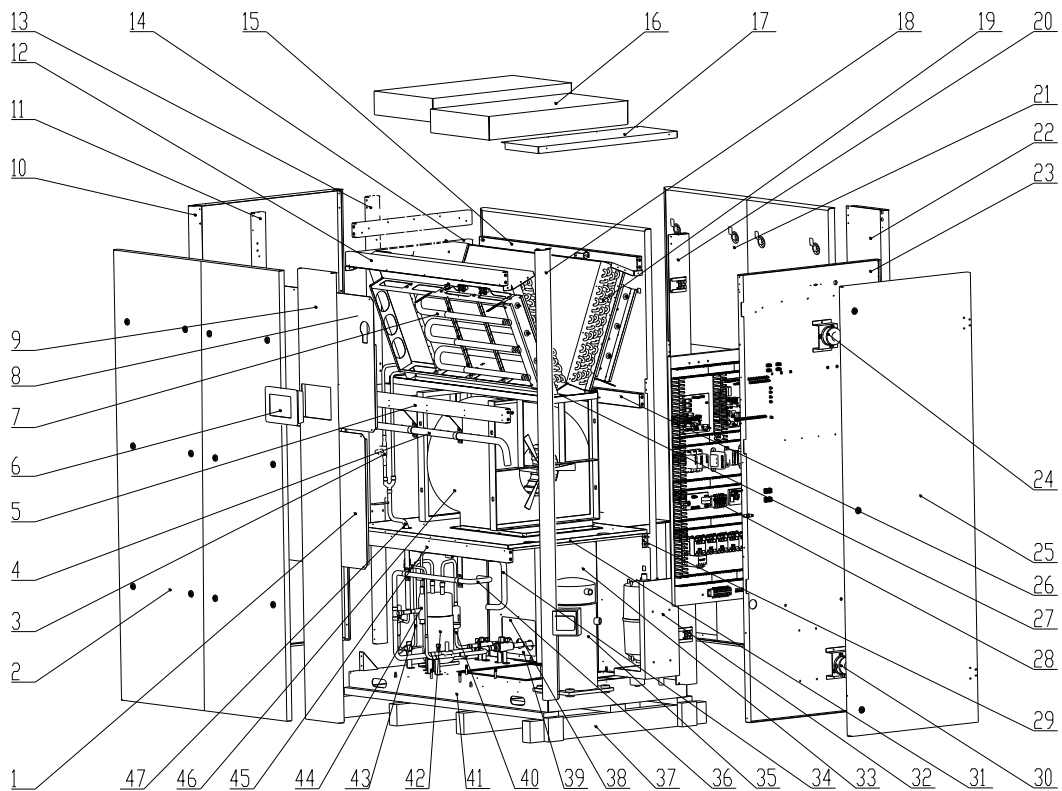
22	Top panel	01263734	1
23	Mounting beam of fan	01323759P	2
24	Centrifugal fan SYB-355	150184066	1
25	Nozzle sub-assy	05033722	1
26	Electric heater BKR4500W/380V	32103708	1
27	Rear panel1	01543883	1
28	Rear panel2	01543882	1
29	Column sub-assy (right rear)	01855210P	1
30	Isolation plate	01245213	1
31	Pressure difference switch2	01325237	1
32	Right door panel assy	01875224	1
33	Pressure difference switch1	01325236	1
34	Electric box JKFD19QS/Na(I)	02403703	1
35	Electrode humidifier KUE0202000	07493701	1
36	Column (right front)	01855209P	1
37	Packing base	50233728	1
38	Compressor and fittings ZP83KCE-TFD-522	00202231	1
39	Base	01283766	1
40	Sealing plate 2	01345211P	1
41	Sealing plate 1	01345210P	1
42	Feed pipe sub-assy 2	04223877	1
43	Air-return pipe	0467382701	1
44	Liquid storage tank	07422204	1
45	Column (lower)	01853789P	1
46	Feed pipe sub-assy 3	04323761	1

◆ Parts' list of JKFD19C/Na-M(I) (Product code: EJ13000240)

Compared with model JKFD19QS/Na-M(I), it just add false ogive (01523715) . So please refer to parts list of model JKFD19QS/Na-M(I).

**(6) Indoor Unit JKFD19SX/Na-M(I)**

◆ Exploded view of JKFD19SX/Na-M(I)



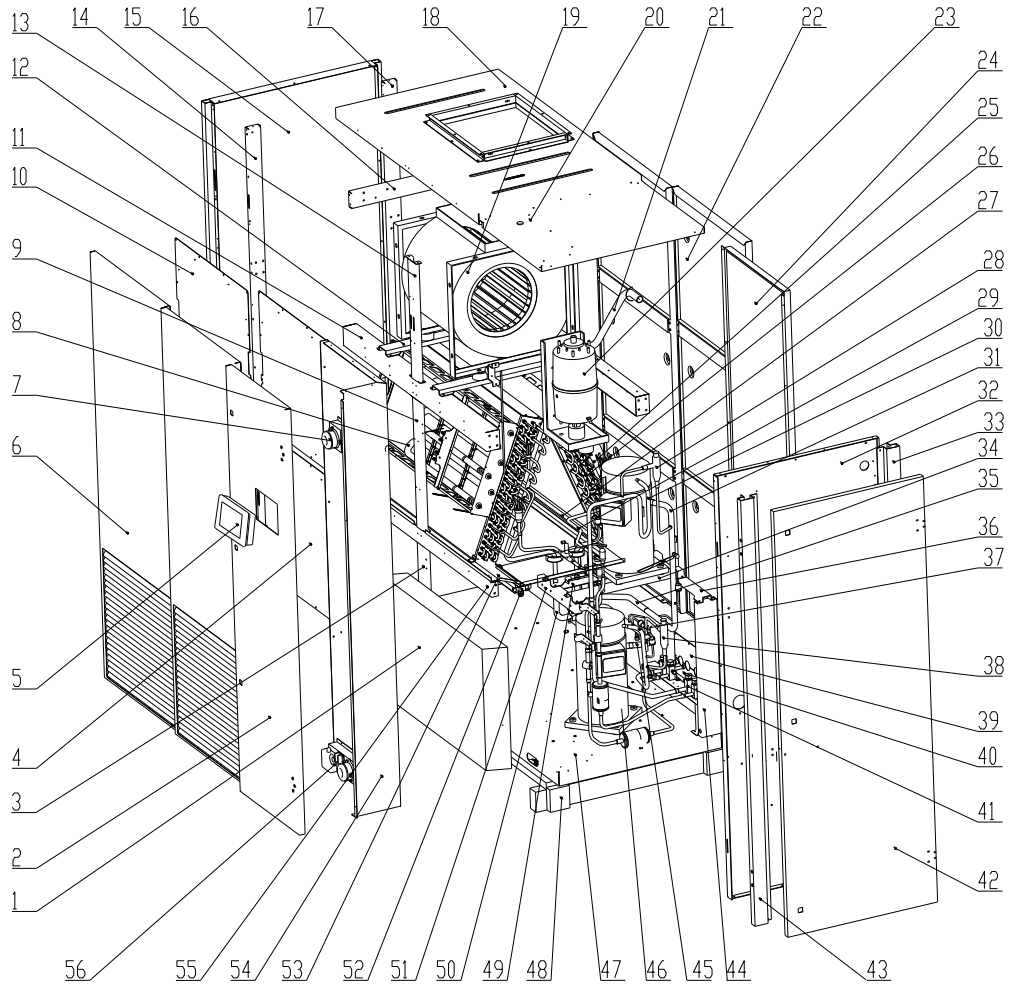
◆ Parts' list of JKFD19SX/Na-M(I)

No.	Part Name	Material Code	Q'ty
1	Lower sealing plate sub-assy	01493749	1
2	Rear panel2	01543882	3
3	Feed pipe sub-assy 3	04323849	1
4	Nozzle sub-assy	05023877	1
5	Cross beam3	01873880P	1
6	Touch screen ZE130	35018017	1
7	Electric heater BKR 4500W/380V	32103711	2
8	Upper sealing plate	01493748	1
9	Front panel (electric control)	01543844P	1
10	Left panel	01543847	1
11	Column (left front)	01853783P	1
12	Cross beam6	01873883P	1
13	Column (left rear)	01853782P	1
14	Longitudinal beam 1	01873851P	1
15	Cross beam1	01873853P	1
16	Primary strainer assy	07413724	2
17	Top panel	01263738P	1
18	Column (right front)	01853781P	1
19	Evaporator	01023737	1
20	Column sub-assy (right rear)	01853784P	1
21	Rear panel1	01543883	1
22	Rear panel (electric control)	01543841P	1

23	Isolation sheet	01243758	1
24	Pressure difference switch2	01325237	1
25	Right door panel assy	02223822	1
26	Cross beam2	01873854P	1
27	Water tray	01283827P	1
28	Mounting plate of electric part	01323798	1
29	Cross beam5	01873882P	1
30	Pressure difference switch1	01325236	1
31	Installation plate of fan	01323797P	1
32	Electrode humidifier KUE0202000	07493701	1
33	Horizontal louver sub-assy	01373712	1
34	Air-return pipe	04673781	1
35	Compressor and fittings ZP83KCE-TFD-522	00202231	1
36	Discharge pipe	04633755	1
37	Packing base	50233739	1
38	Sealing plate 1	01343779P	1
39	Sealing plate 2	01343780P	1
40	Feed pipe sub-assy 1	04323887	1
41	Base	01283824	1
42	Liquid storage tank	07422205	1
43	Feed pipe 4	04323847	1
44	Hot gas bypass valve sub-assy	-	1
45	Cross beam4	01873881P	1
46	Centrifugal fan SYB-355II(1.5-6)	15703707	1
47	Feed pipe sub-assy 2	04323848	1

**(7) Indoor Unit JKFD25C2/Na-M(I)、JKFD25QS2/Na-M(I)**

◆ Exploded view of JKFD25QS2/Na-M(I) (applicable to JKFD25C2/Na-M(I))



◆ Parts' list of JKFD25QS2/Na-M(I)

No.	Part Name	Material Code	Q'ty
1	Primary strainer assy	07413713	2
2	Electric control door	01393753P	1
3	Column (middle)	01853756P	2
4	Wind shield2	01353743P	2
5	Touch screen ZE130	35018017	1
6	Panel (front)	01543801	2
7	Pressure difference switch2	01325237	1
8	Electric heater BKR 6000W/380V	32103705	1
9	Column (middle)	01853761P	2
10	Wind shield	01353742P	2
11	Cross beam(up)	01873809P	2
12	Mounting rack of fan	01323769P	2
13	Column (upper)	01853762P	2

14	Column sub-assy (front left)	01853751	1
15	Left panel	01643727	1
16	Longitudinal beam (left)	01873806	2
17	Column sub-assy (rear left)	01853752	1
18	Top panel	01263739	1
19	Centrifugal fan SYB-355	150184067	1
20	Top panel2	01263740	1
21	Nozzle sub-assy	05033775	1
22	Panel	01543800	2
23	Electrode humidifier KUE0202000	07493701	1
24	Rear electric control plate	02223767	1
25	Electric heater BKR 6000W/380V	32103704	1
26	Evaporator	01023726	1
27	Fixing part 2 of evaporator	01093751P	1
28	Hot gas bypass valve sub-assy2	-	1
29	Connection pipe 1 (electronic expansion valve)	05023806	1
30	Discharge pipe2	04633794	1
31	Air-return pipe2	04673808	1
32	Isolation sheet	01243743P	1
33	Column sub-assy (right rear)	01853759P	1
34	Installation beam of compressor	01873787P	2
35	Air-return pipe	04653784	1
36	Fixing beam 3	01873850P	1
37	Discharge pipe1	04633795	1
38	Hot gas bypass valve sub-assy1	-	1
39	Sealing plate 1	01343758P	1
40	Sealing plate 2	01343757P	1
41	Valve	07303702	1
42	Right door plate	02223764P	1
43	Column sub-assy (front right)	01853753P	1
44	Column (compressor)	01853758P	1
45	Air-return pipe1	04673809	1
46	Compressor and fittings ZP61KCE-TFD-522	00205272	2
47	Base	01283780	1
48	Packing base	50233730	1
49	Cross beam2	01873808P	1
50	Air-return pipe 3	04653783	1
51	Fixing bea 1	01873784	1
52	Water tray	01283781	2

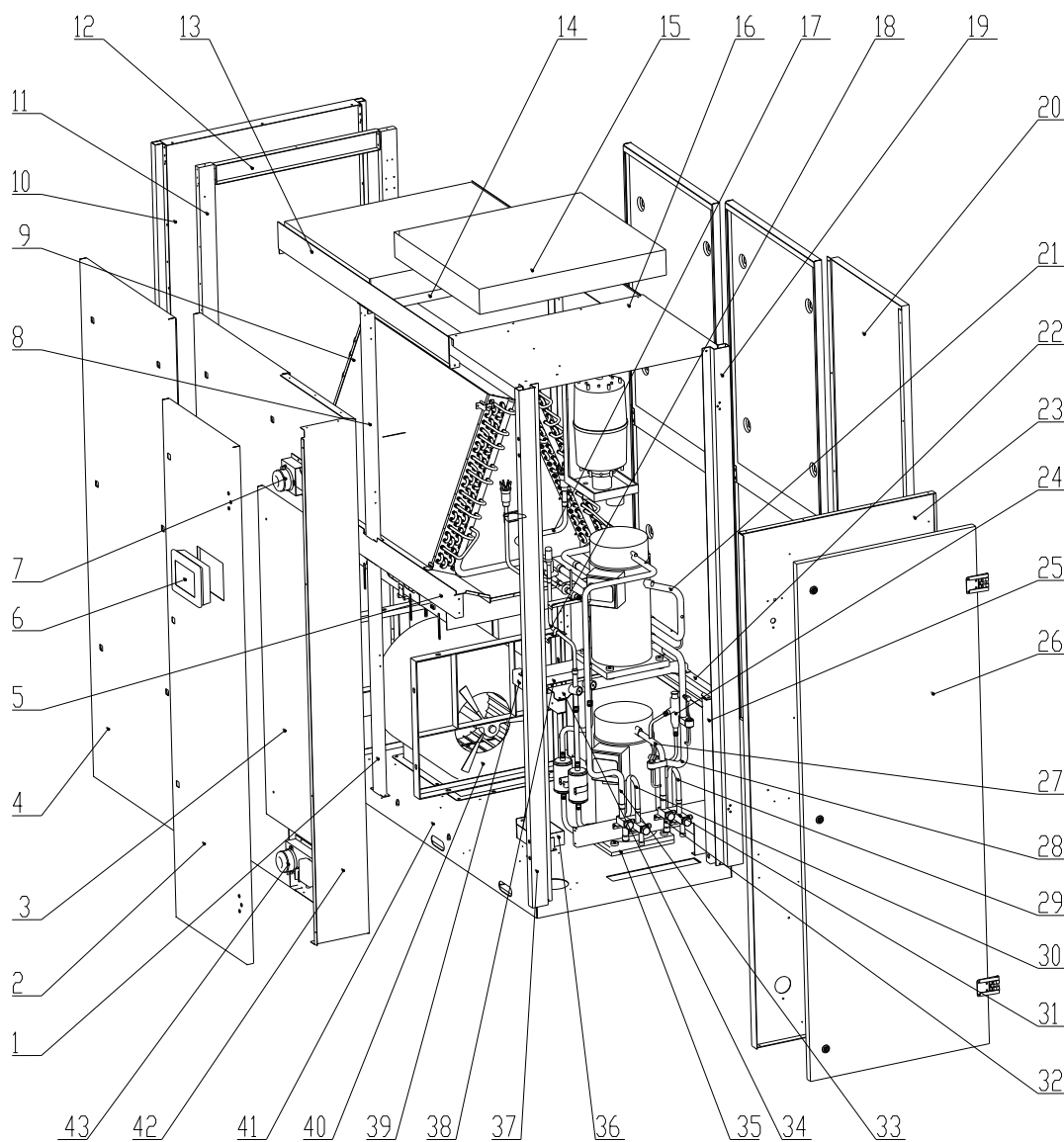
53	Fixing part 1 of evaporator	01093749P	1
54	Electric cabinet	01393758P	1
55	Cross beam	01873807P	2
56	Pressure difference switch1	01325236	1

◆ Parts' list of JKFD25C2/Na-M(I)

Compared with model JKFD25QS2/Na-M(I), it just add false ogive (01523714) . So please refer to parts list of model JKFD25QS2/Na-M(I).

**(8) Indoor Unit JKFD25SX2/Na-M(I)**

◆ Exploded view of JKFD25SX2/Na-M(I)



◆ Parts' list of JKFD25SX2/Na-M(I)

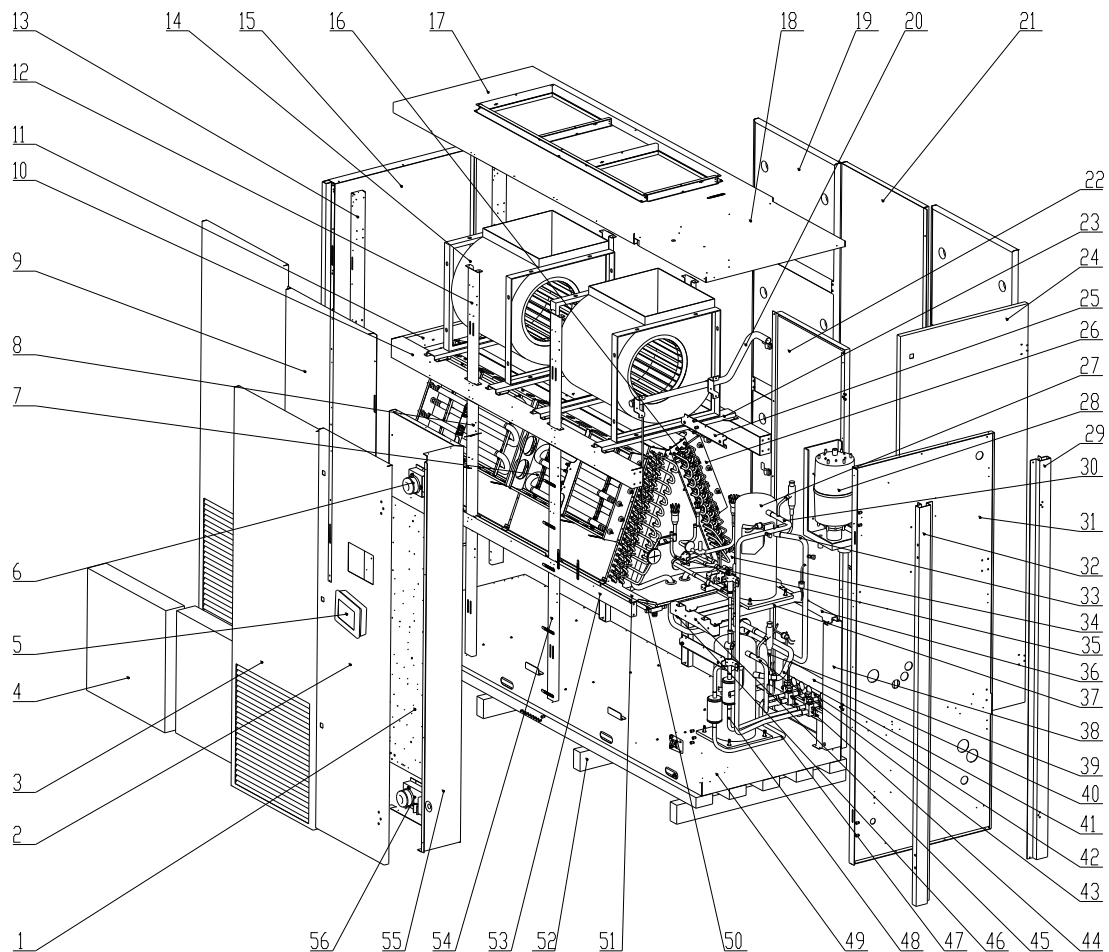
No.	Part Name	Material Code	Q'ty
1	Column (lower)	01853777P	4
2	Electric control door	01393753P	1
3	Mounting plate of electric part	01323785	1
4	Panel	01543800	4
5	Cross beam(middle)	01883704P	2
6	Touch screen ZE130	35018017	1
7	Pressure difference switch2	01325237	1
8	Upper column	01853744P	4
9	Evaporator	01023728	1
10	Left panel	01543858	1
11	Column	01853738	2
12	Upper longitudinal beam	01873782	1
13	Cross beam(strainer)	01883703P	2
14	Longitudinal beam(strainer)	01873789P	2
15	Primary strainer assy	07413715	2
16	Top panel	01263733	1
17	Connection pipe 2	05033765	1
18	Electronic expansion valve 2	07333734	1
19	Column sub-assy (right rear)	01853740P	1
20	Rear electric control plate	02223766	1
21	Air-return pipe2	04673739	1
22	Fixing beam 3	01873786P	1
23	Isolation sheet	01243734P	1
24	Hot gas bypass valve sub-assy	07333730	2
25	Column (fixing beam)	01853739P	1
26	Right door plate	02223764P	1
27	Discharge pipe1	04633744	1
28	Air-return pipe1	04673738	1
29	Strainer 1	07413717	1
30	Strainer 2	07413718	1
31	Cut-off valve 1	07333749	2
32	Cut-off valve 2	07333750	2
33	Discharge pipe2	04633745	1
34	Installation beam of compressor	01873787P	2
35	Compressor and fittings ZP61KCE-TFD-522	00205272	2
36	Water tray(base)	01283763P	1
37	Column sub-assy (right front)	01853742P	1
38	Fixing bea 2	01873785P	1
39	Fixing bea 1	01873784P	1
40	Centrifugal fan	15403716	1



SYB-355II(1.8-6)			
41	Base	01283799	1
42	Electric cabinet	01393751P	1
43	Pressure difference switch1	01325236	1

**(9) Indoor Unit JKFD40C2/Na-M(I)、JKFD40QS2/Na-M(I)**

◆ Exploded view of JKFD40QS2/Na-M(I) ( applicable to JKFD40C2/Na-M(I) )



◆ Parts' list of JKFD40QS2/Na-M(I)

No.	Part Name	Material Code	Q'ty
1	Mounting plate of electric part	01323776	1
2	Electric control door	01393753P	1
3	Panel (front right)	01543804	2
4	Primary strainer assy	07413716	3
5	Touch screen ZE130	35018017	1
6	Pressure difference switch2	01325237	1
7	Electric heater BKR 4500W/380V	32103706	2
8	Column (middle)	01853767P	4

9	Panel (front middle)	01543803	1
10	Cross beam(up)	01873810P	2
11	Longitudinal beam (left)	01873812	3
12	Column (upper)	01853765P	4
13	Column (left)	01853768P	2
14	Centrifugal fan	150184066	2
15	Left panel	01643727	1
16	Evaporator	01023727	1
17	Top panel	01263744	1
18	Top panel2	01263740	1
19	Rear panel	01643726	2
20	Nozzle sub-assy	05033839	1
21	Middlle panel	01643701	1
22	Rear electric control plate	02223767	1
23	Mounting rack of fan	01323775P	4
24	Right door plate	02223764P	1
25	Support sub-assy	01893775	2
26	Electric heater BKR 4500W/380V	32103713	1
27	Compressor and fittings ZP83KCE-TFD-522	00202231	2
28	Electrode humidifier KUE0202000	07493701	1
29	Column sub-assy (right rear)	01853759P	1
30	Discharge pipe2	04633741	1
31	Isolation sheet	01243744P	1
32	Column sub-assy (front right)	01853753	1
33	Air-return pipe2	04673752	1
34	Soleplate 1 of evaporator	01093734P	1
35	Connection pipe 2	05033713	1
36	Fixing beam 3	01873786P	1
37	Installation beam of compressor	01873787P	2
38	Column (fixing beam)	01853739P	1
39	Hot gas bypass valve sub-assy1	-	2
40	Sealing plate 1	01343771P	1
41	Air-return pipe1	04673751	1
42	Sealing plate 2	01343770P	1
43	Discharge pipe1	04633740	1
44	Valve	07303703	1
45	Fixing bea 1	01873784P	1
46	Fixing bea 2	01873785P	1
47	Liquid inlet pipe sub-assy 1	04323852	1
48	Liquid inlet pipe sub-assy 2	04323853	1

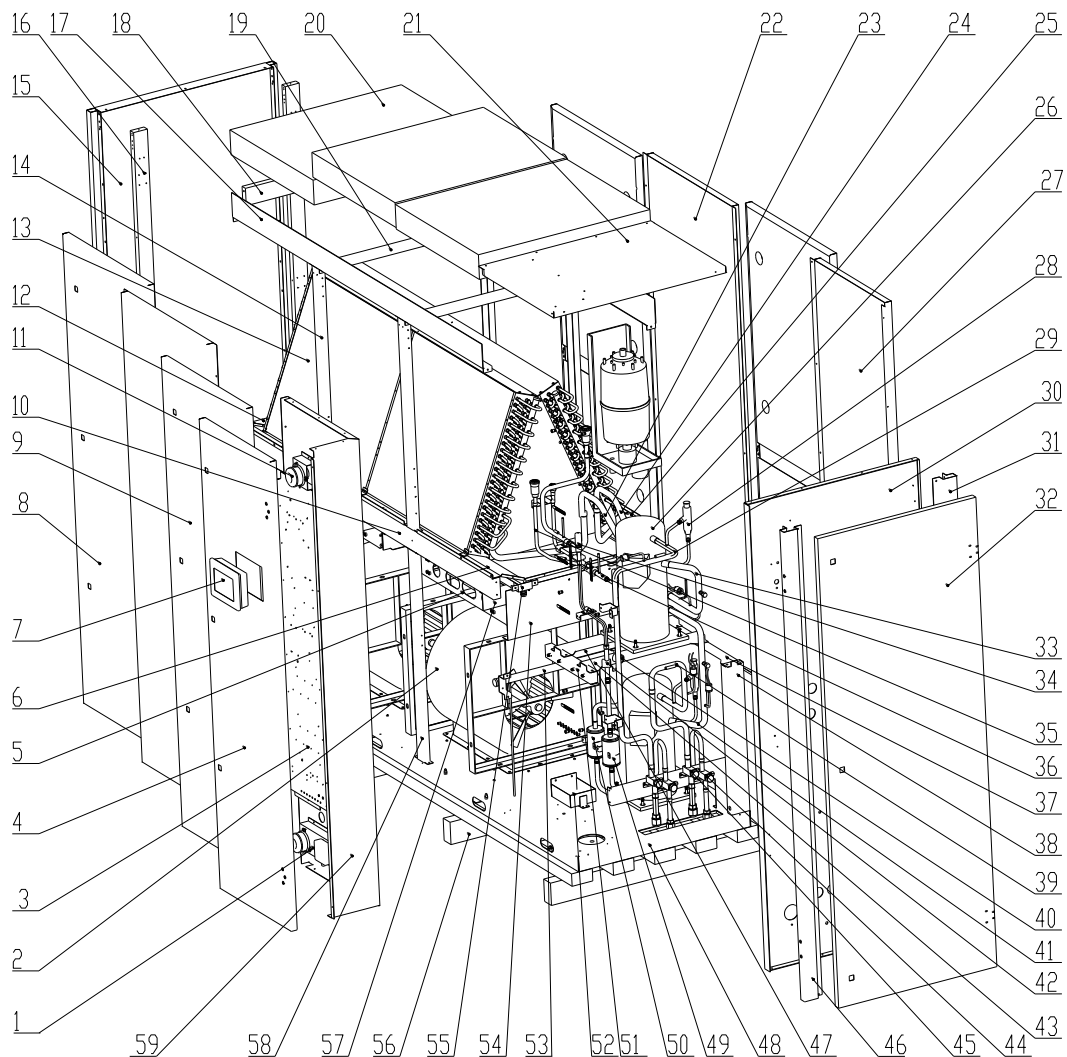
49	Base	01283786	1
50	Water tray	01283789P	2
51	Soleplate 2 of evaporator	01093736P	1
52	Packing base(wood)	50233727	1
53	Cross beam(lower)	01873811P	2
54	Column (lower)	01853766P	4
55	Electric cabinet	01393773P	1
56	Pressure difference switch1	01325236	1

◆ Parts' list of JKFD40C2/Na-M(I)

Compared with model JKFD40QS2/Na-M(I), it just add false ogive (01523716) . So please refer to parts list of model JKFD40QS2/Na-M(I).

**(10) Indoor Unit JKFD40SX2/Na-M(I)**

◆ Exploded view of JKFD40SX2/Na-M(I)



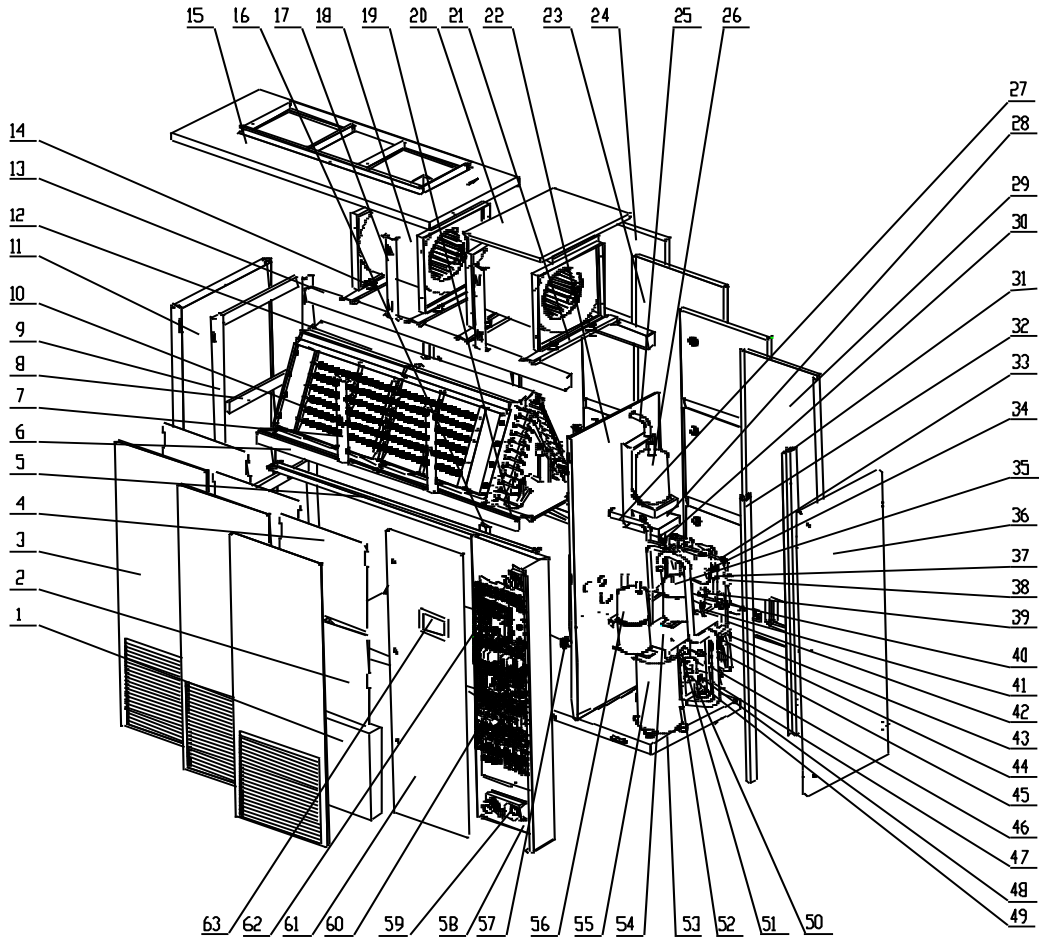
◆ Parts' list of JKFD40SX2/Na-M(I)

No.	Part Name	Material Code	Q'ty
1	Pressure difference switch1	01325236	1
2	Centrifugal fan SYB-355II(1.5-6)	15703707	2
3	Mounting plate of electric part	01323764	1
4	Electric control door	01393753P	1
5	Electric heater BKR 9000W/380V	32103703	2
6	Soleplate 2 of evaporator	01093736P	1
7	Touch screen ZE130	35018017	1
8	Panel	01543799	3
9	Middle and right panel	01543798	1
10	Cross beam	01873783P	2
11	Pressure difference switch2	01325237	1
12	Lower longitudinal beam	01873781	1
13	Evaporator	01023720	1
14	Upper column	01853744P	4
15	Left panel	01543858	1
16	Column	01853738	2
17	Cross beam(strainer)	01873790P	2
18	Upper longitudinal beam	01873782	1
19	Longitudinal beam(strainer)	01873789P	2
20	Primary strainer assy	07413708	3
21	Top panel	01263733	1
22	Middle panel	01643701	2
23	Connection pipe sub-assy1 ( air-return pipe )	05023745	1
24	Connection pipe 2(air-return pipe)	05023747	1
25	Soleplate 1 of evaporator	01093734P	1
26	Compressor and fittings ZP83KCE-TFD-522	00202231	2
27	Rear electric control plate	02223766	1
28	Hot gas bypass valve sub-assy	-	2
29	Discharge pipe2	04633731	1
30	Isolation sheet	01243734P	1
31	Column sub-assy (right rear)	01853740P	1
32	Right door plate	02223764P	1
33	Air-return pipe2	04673739	1
34	Electronic expansion valve 2	07333714	1
35	Connection pipe sub-assy 1	05023756	1
36	Electronic expansion valve 1	07333713	1
37	Fixing beam 3	01873786P	1

38	Column (fixing beam)	01853739P	1
39	Discharge pipe1	04633730	1
40	Level glass sub-assy 1	22453701	1
41	Air-return pipe1	04673738	1
42	Level glass sub-assy 2	22453702	1
43	Installation beam of compressor	01873787P	2
44	Cut-off valve 2	07333750	2
45	Cut-off valve 2	07333751	2
46	Column sub-assy (right front)	01853742P	1
47	Fixing bea 2	01873785P	1
48	Base	01283759	1
49	Strainer 2	07413710	1
50	Strainer 1	07413709	1
51	Fixing bea 1	01873784P	1
52	Water tray(base)	01283763P	1
53	Nozzle sub-assy	05023742	1
54	Guard board (electric heater)	01353738P	2
55	Water tray	01283764P	2
56	Packing base(wood)	50233727	1
57	Mounting beam (electric heater)	01323756P	4
58	Column (lower)	01853777P	4
59	Electric cabinet	01393751P	

(11) Indoor Unit JKFD40QS/Na-M(I)、JKFD40C/Na-M(I)

◆ Exploded view of JKFD40QS/Na-M(I)



◆ Parts' list of JKFD40QS/Na-M(I) (Product code: EJ1300080)

No.	Part Name	Material Code	Q'ty
1	Primary strainer assy	07413716	3
2	Wind shield	01353744P	3
3	Panel (front right)	01543804	3
4	Wind shield2	01353745P	3
5	Water tray	01283861P	1
6	Cross beam(lower)	01873811P	2
7	Column (middle)	01853767P	4
8	Longitudinal beam (left)	01873812P	3
9	Column (left)	01853768P	2
10	Electric heater BKR 9000W/380V	32103718	1
11	Left panel	01543892P	1
12	Evaporator	01023772	1
13	Cross beam(up)	01873810P	2
14	Rubber gasket	76018401	8

15	Top panel	01263744	1
16	Column (lower)	01853766P	4
17	Column (upper)	01853765P	4
18	Centrifugal fan SYB-355	150184066	2
19	Soleplate of evaporator	01093734P	1
20	Top panel2	01263740	1
21	Mounting rack of fan	01323775P	4
22	Isolation sheet	01243798P	1
23	Middle panel	01543897	1
24	Rear panel	01643726	2
25	Nozzle sub-assy	05033839	1
26	Electrode humidifierKUE0202000	07493701	1
27	U TYPE CONNECTION PIPE	05033730	20
28	Water tray(humidifier)	01283887P	1
29	Rear electric control plate	02233795	1
30	Inlet pipe sub-assy	04363729	1
31	Column sub-assy (right rear)	01853759P	1
32	Column sub-assy (front right)	01853753P	1
33	Liquid gas mixer sub-assy	07493706	1
34	U TYPE CONNECTION PIPE	05133721	1
35	Liquid storage tank	07422206	1
36	Right door panel assy	01875224	1
37	Strainer φ19	07210037	1
38	Diverter (T type pipe)	06615201	1
39	Coil of electronic expansion valve	4300010826	1
40	Electronic expansion valve VPF-32D23	07130364	1
41	Electronic expansion valve sub-assy	07333790	1
42	Gas bypass sub-assy	04633789	1
43	Electromagnetic valve EVRH10(032G1077)	43043715	2
44	Coil of electromagnetic valve	43008152	2
45	Pressure switch (with leading wire)	4602001550	1
46	Pressure switch YKB-4.2/3.6-C	4602001559	1
47	Air-return pipe	04673816	1
48	Cubic valve 7/8(R410A)	07331166	1
49	Cut-off 3/4	07334103	1
50	Discharge pipe	04633788	1
51	Inlet pipe sub-assy	04363729	1
52	Feed pipe	04223866	1

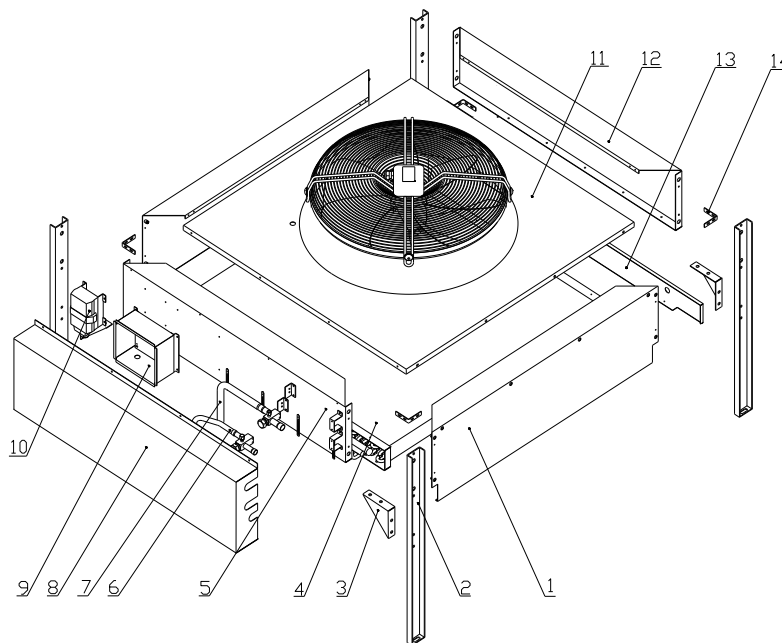
53	Base	01293703	1
54	Mounting plate sub-assy	01323899P	1
55	Compressor and fittings(ZP182KCE-TFD-522)	00208044	1
56	Vapour liquid separator	07425215	1
57	Inspection plate ZE015	30270005	1
58	Electric cabinet	01393773P	1
59	Water-soaking switch SJ512	45020501	1
60	Electric box JKFD40QSNAM(I)	01393872	1
61	Electric control door	01393753P	1
62	Pressure difference switch 609(with pipe)	46028251	2
64	Touch screen ZE130	35018017	1

◆ Parts' list of JKFD40C/Na-M(I) ( Product code:EJ130N0100 )

Compared with model JKFD40QS/Na-M(I), it just add false ogive (01523716). So please refer to parts list of model JKFD40QS/Na-M(I).

**(12) Outdoor Unit JKFD5/Na-E(O)、JKFD7/Na-E(O)、JKFD13/Na-M(O)、JKFD19/Na-M(O)、JKFD13/NaA-M(O)、JKFD19/NaA-M(O)**

◆ Exploded view of JKFD19/Na-M(O) ( applicable to JKFD5/Na-E(O)、JKFD7/Na-E(O)、JKFD13/Na-M(O) )



◆ Parts' list of JKFD5/Na-E(O)、JKFD7/Na-E(O) ( Product code: EJ130W0250、EJ130W0040 )

No.	Part Name	Material Code	Q'ty
1	Side plate sub-assy	01313749P	2
2	Support leg	01893728P	4
3	Support stand	01803767P	4



4	Condenser	01123728	1
5	Front side plate sub-assy	01313733P	1
6	Cut-off valve 2	07333781	1
7	Cut-off valve 1	07333811	1
8	Front cover plate	01263754P	1
9	Electric box JKFD13(O)	01393748	1
10	Speed controller of fan RGE-Z1Q4-7	30118025	1
11	Axial flow fan	15403726	1
12	Rear side plate	01313750P	1
13	Rear cover plate	01263755P	1
14	Connecting part	01343747	4

◆ Parts' list of JKFD13/Na-M(O)、JKFD13/NaA-M(O)

No.	Part Name	Material Code	Q'ty
1	Side plate sub-assy	01313735P	2
2	Support leg	01893728P	4
3	Support stand	01803767P	4
4	Condenser	01123718	1
5	Front side plate sub-assy	01313733P	1
6	Cut-off part	07333806	1
7	Cut-off part	07333807	1
8	Front cover plate	01263731P	1
9	Electric box JKFD13(O)	01393748	1
10	Speed controller of fan RGE-Z1Q4-7	30118025	1
11	Fan	15403714	1
12	Rear side plate	01313732P	1
13	Rear cover plate	01263730P	1
14	Connecting part	01343747	4

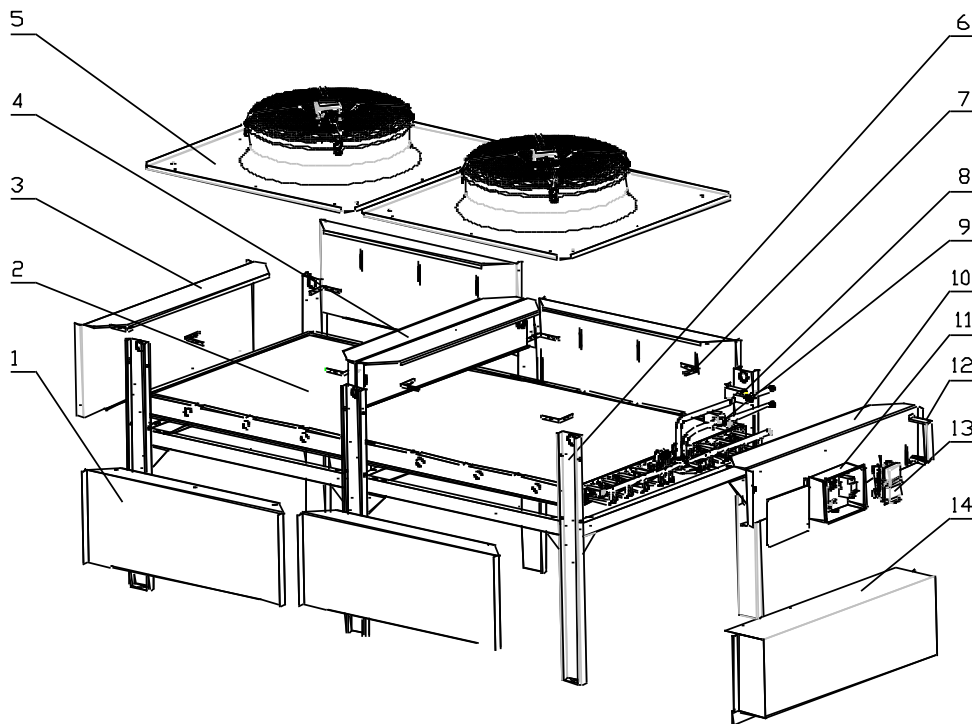
◆ Parts' list of JKFD19/Na-M(O)、JKFD19/NaA-M(O) (Product code: EJ130W0130)

No.	Part Name	Material Code	Q'ty
1	Side plate sub-assy	01313735P	2
2	Support leg	01893728P	4
3	Support stand	01803767P	4
4	Condenser	01123718	1
5	Front side plate sub-assy	01313733P	1
6	Cut-off part	07333814	1
7	Cut-off part	07333815	1
8	Front cover plate	01263731P	1
9	Electric box JKFD13(O)	01393748	1
10	Speed controller of fan	30118025	1

	RGE-Z1Q4-7		
11	Axial flow fanC-FZ630J	15403715	1
12	Rear side plate	01313732P	1
13	Rear cover plate	01263730P	1
14	Connecting part	01343747	4

**(13) Outdoor Unit JKFD40/Na-M(O)**

◆ Exploded view of JKFD40/Na-M(O)



◆ Parts' list of JKFD40/Na-M(O) (Product code: EJ130W0080)

No.	Part Name	Material Code	Q'ty
1	Side plate sub-assy	01313831P	4
2	Condenser	01123763	1
3	Rear side plate sub-assy	01313830P	1
4	Middle side plate sub-assy	01313829P	1
5	Axial flow fan C-FZ630J-A	15403735	2
6	Base	01293701	1
7	Connecting part	01343747	8
8	Cubic valve 7/8(R410A)	07331166	1
9	Cut-off 3/4	07334103	1
10	Front side plate sub-assy	01313824P	1
11	Electric box JKFD40/Na-M(O)	02403701	1
12	Support stand(I shape pipe)	01823789P	1
13	Sped controller of fan RGE-Z1Q6-7	30118025	1
14	Front cover plate	01263829P	1