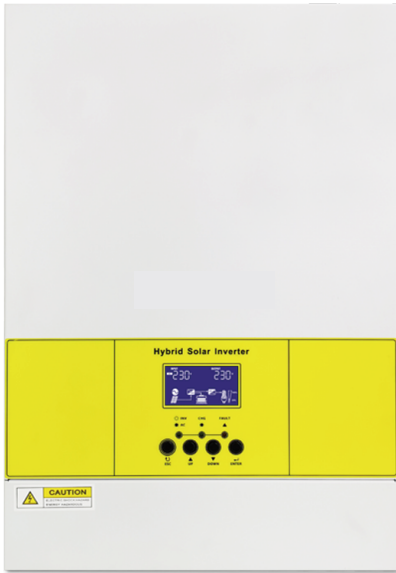


# Hybrid Solar Inverter 3.6KW-5.6KW

## ISolar SMG Series 3.6~5.6KW 220V/230Vac Output

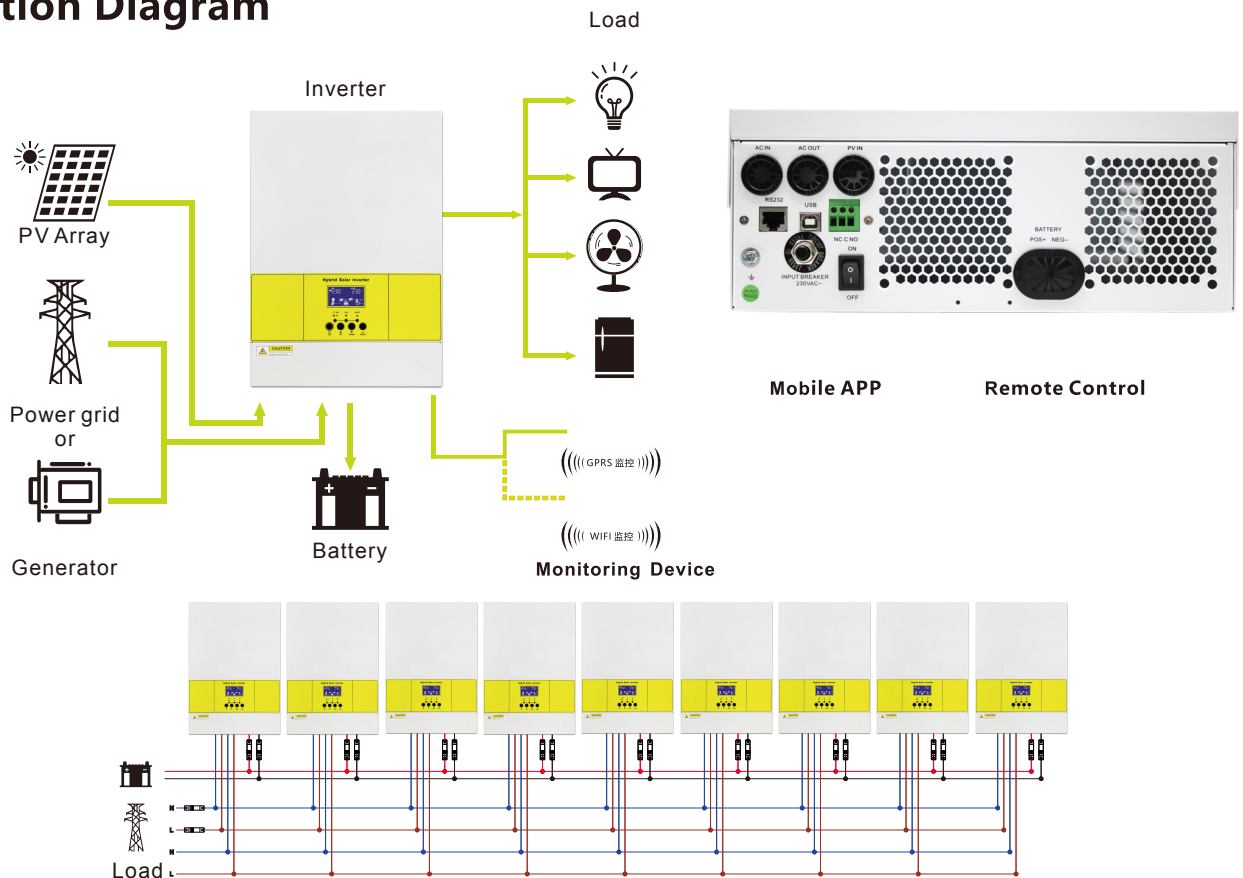
### Features



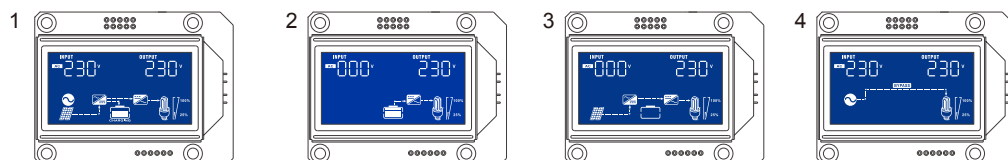
- Pure sine wave solar inverter
- Output power factor 1
- High PV input voltage range
- Built-in MPPT solar controller
- Battery equalization function to optimize battery performance and extend lifecycle
- Inverter running without battery
- Built-in anti-dusk kit for harsh environment
- Parallel operation with up to 12 units
- WiFi/GPRS remote monitoring(Optional)
- Detachable LCD(Optional)

This is a multi-functional inverter/charger, combining functions of inverter, solar charger and battery charger to offer uninterruptible power support in portable size. Its comprehensive LCD display offers user-configurable and easy-accessible button operation such as battery charging current, AC/solar charger priority, and acceptable input voltage based on different applications.

### Application Diagram



## System Diagram



1. With battery, solar and AC available
2. With battery, solar and AC not available
3. Without battery, solar available
4. Without battery, AC available

## Technical Data

MODEL	ISolar SMG II 3.6KW	ISolar SMG II 5.6KW	ISolar SMG II 5.6KP
CAPACITY	3.6KVA/3.6KW	5.6KVA/5.6KW	5.6KVA/5.6KW
Parallel Capability	NO	NO	<b>Yes,9pcs</b>
<b>INPUT</b>			
Nominal Voltage	230VAC		
Acceptable Voltage Range	170-280VAC (For personal Computer);90-280VAC (For Home Appliances)		
Frequency	50,60 Hz (Auto sensing)		
<b>OUTPUT</b>			
Nominal Voltage	220/230VAC ±5%		
Surge Power	7000VA	11000VA	11000VA
Frequency	50,60 Hz		
Waveform	Pure Sine wave		
Transfer Time	10ms (For personal Computer);20ms (For Home Appliances)		
Peak Efficiency (PV to INV)	96%		
Peak Efficiency (Battery to INV)	93%		
Overload Protection	5s@ >=150% load; 10s@ 110%~150% load		
Crest Factor	3:1		
Admissible Power Factor	0.6~1 (inductive or capacitive)		
<b>BATTERY</b>			
Battery Voltage	24VDC	48VDC	48VDC
Floating Charge Voltage	27VDC	54VDC	54VDC
OverCharge Protection	33VDC	63VDC	63VDC
Charging Method	CC/CV		
<b>Solar Charger &amp; AC Charger</b>			
Solar Charger TYPE	MPPT		
Max.PV Array Power	4000W	5500W	5500 W
Max. PV Array Open Circuit Voltage	500VDC		
PV Array MPPT Voltage Range	120VDC~450VDC		
Max. Solar Input Current	15A	18A	18A
Max. Solar Charge Current	100A	100A	100A
Max. AC Charge Current	60A	60A	60A
Max. Charge Current	100A	100A	100A
<b>PHYSICAL</b>			
Dimensions, D x W x H(mm)	482x290x113		
Package Dimensions, D x W x H(mm)	565x380x190		
Net Weight (Kgs)	9	10	10
Communication Interface	USB/RS232,Dry-contact		
<b>ENVIRONMENT</b>			
Operating Temperature Range	-10°C to 50°C		
Storage temperature	-15°C~ 60°C		
Humidity	5% to 95% Relative Humidity (Non-condensing)		

Product specifications are subject to change without further notice.