

## **Twin-line pump station** Manual for the specialised craftsman **Installation** **Operation** **Commissioning**



48006771

Thank you for buying this RESOL product.  
Please read this manual carefully to get the best performance from this unit.  
Please keep this manual safe.

en  
Manual

[www.resol.com](http://www.resol.com)

## Safety advice

Please pay attention to the following safety advice in order to avoid danger and damage to people and property.

Danger of electric shock:

- When carrying out works, the device must first of all be disconnected from the mains.
- It must be possible to disconnect the device from the mains at any time.
- Do not use the device if it is visibly damaged!

The device must not be used by children or persons with reduced physical, sensory or mental abilities or without any experience and knowledge. Make sure that children do not play with the device!

When using fluids containing glycol, wear appropriate gloves, goggles, and breathing mask!

Make sure that the housing is properly closed before commissioning the device.

## Instructions

Attention must be paid to the valid local standards, regulations and directives!

## Target group

These instructions are exclusively addressed to authorised skilled personnel.

Only qualified electricians should carry out electrical works.

Authorised skilled personnel are persons who have theoretical knowledge and experience with the installation, commissioning, operation, maintenance, etc. of electric/electronic devices and hydraulic systems and who have knowledge of relevant standards and directives.

**Subject to technical change. Errors excepted.**

© 20211222\_48006771\_FlowSol\_B.monen.indd

## Information about the product

### Proper usage

The pump station may only be used in the solar circuit of solar thermal systems in compliance with the technical data specified in these instructions. Due to its design the station must be mounted and operated as described in these instructions!

Any use beyond this is considered improper.

Proper usage also includes compliance with the specifications given in this manual.

Improper use excludes all liability claims.



### Note

Strong electromagnetic fields can impair the function of the device.

- ➔ Make sure the device as well as the system are not exposed to strong electromagnetic fields.

### EU Declaration of conformity

The product complies with the relevant directives and is therefore labelled with the CE mark. The Declaration of Conformity is available upon request, please contact the manufacturer.



### Scope of delivery

The scope of delivery of this product is indicated on the packaging label.

### Storage and transport

Store the product at an ambient temperature of 0 ... 40 °C and in dry interior rooms only.

Transport the product in its original packaging only.

### Cleaning

Clean the product with a dry cloth. Do not use aggressive cleaning fluids.

### Decommissioning

1. Disconnect all relevant system components from the power supply.
2. Drain the system.
3. If necessary, dismantle the station.

## Disposal

- Dispose of the packaging in an environmentally sound manner.
- At the end of its working life, the product must not be disposed of as urban waste. Old appliances must be disposed of by an authorised body in an environmentally sound manner. Upon request we will take back your old appliances bought from us and guarantee an environmentally sound disposal of the devices.



## Description of symbols

**Warnings are indicated with a warning symbol!**

**Signal words** describe the danger that may occur, when it is not avoided.

**WARNING** means that injury, possibly life-threatening injury, can occur.



→ It is indicated how to avoid the danger described.

**ATTENTION** means that damage to the appliance can occur.



→ It is indicated how to avoid the danger described.



**Note**

Notes are indicated with an information symbol.

→ Texts marked with an arrow indicate one single instruction step to be carried out.

1. Texts marked with numbers indicate several successive instruction steps to be carried out.

## Contents

1	Overview .....	4
2	Mounting the station.....	5
3	Flushing and filling the solar system.....	5
4	Ball valve positions .....	6
5	Draining the system .....	6
6	Non-return valves.....	6
7	Flowmeter .....	7
8	Control flushing .....	7
9	Air separator .....	8
10	Maintenance.....	8
11	Safety devices.....	8
12	Accessories .....	9
13	Information about the pump .....	9
14	List of spare parts.....	9

## 1 Overview

- Pre-assembled twin-line pump station
- Safety assembly with connection for the diaphragm-type expansion vessel, safety valve and pressure gauge
- Fill and drain valves
- Wall mounting bracket and mounting material
- Standard or high-efficiency pump
- Ball valves in flow and return
- Air separator

### Technical data

#### Circulating pump:

FlowSol® B: Wilo ST 15/6 ECO

FlowSol® B HE: Wilo PARA ST15/7.0-PWM2 (maximum power consumption: 45 W)

Safety valve: 6 bar

Pressure gauge: 0 ... 10 bar

Flowmeter: 1 ... 13 l/min

Non-return valves: opening pressure 20 mbar, openable

Connection to diaphragm-type expansion vessel: ¾" ET, flat sealing

Outlet safety valve: ¾" IT

Connections to the solar pipes: ¾" IT

Maximum temperature flow/return: 120 °C/95 °C

Maximum pressure: 6 bar

Medium: Water with max. 50 % glycol

Dimensions: approx. 481 × 320 × 190 mm (with insulation)

Distance centres: 100 mm

Distance centre / wall: 67 mm

Material: Fittings: brass

Seals: AFM 34

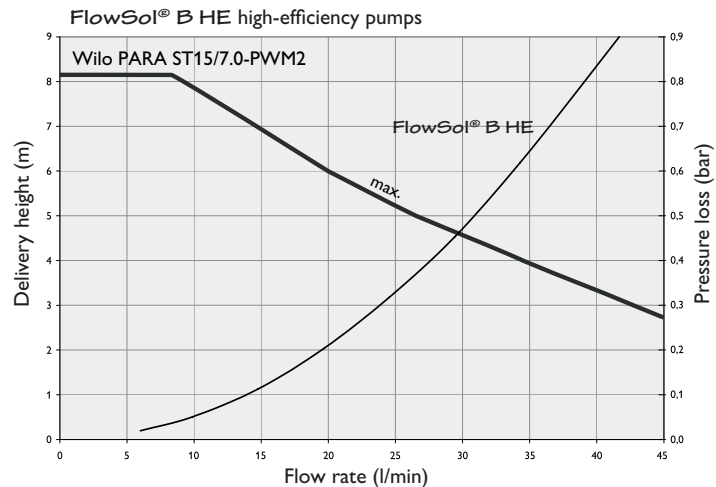
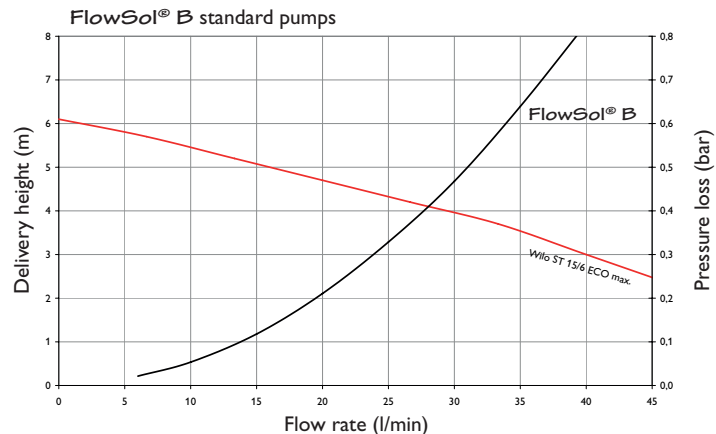
Insulation: EPP foam



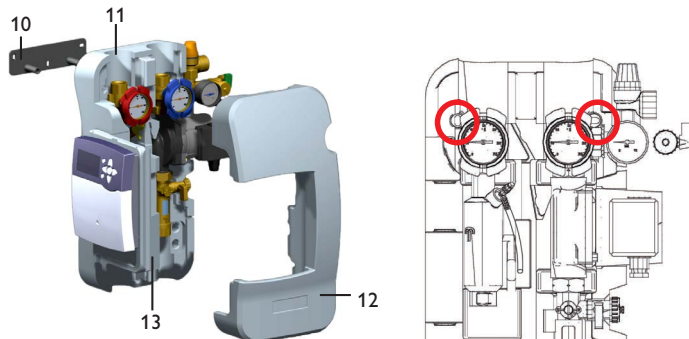
#### Note:

This pump station can be used with the heat transfer fluids Tyfocor L and LS.

### Pump characteristics/pressure loss characteristics



## 2 Mounting the station



- 10 Wall mounting bracket
- 11 Back half of the insulation
- 12 Front half of the insulation
- 13 Hinged controller panel

Controller and controller panel depend on the version of the station

1. Determine the mounting site of the station.
2. Mark the drill holes by means of the template enclosed, then drill and insert wall plugs (see figure to the right).
3. Take the station out of the packaging.
4. Remove the front half of the insulation. Leave the pump station attached to the back half of the insulation!
5. Fasten the pump station to the wall with the enclosed screws. For this purpose, use a crosshead screw driver.
6. Fold the hinged controller panel to the left.
7. Connect the pipework between pump station and store and collector respectively.



### Note

All connections are already tightened such that they usually do not have to be tightened again. However, during commissioning of the system all connections have to be checked for leaks (pressure test).

## 3 Flushing and filling the solar system

### WARNING!

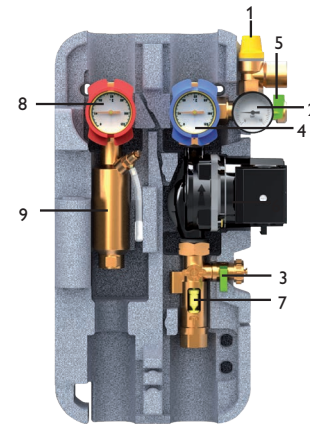


### Scald danger!

### Pressure surge damage!

If the medium enters strongly heated, empty collectors, pressure surges caused by evaporation can occur.

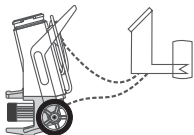
→ In order to prevent the solar fluid from vaporising inside the collectors, do not fill or flush the system during times of strong irradiation!



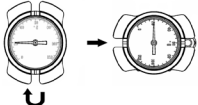
- 1 Safety valve
- 2 Pressure gauge
- 3 Drain valve
- 4 Ball valve (return) with thermometer and integrated non-return valve
- 5 Fill valve
- 6 Pump
- 7 Flowmeter
- 8 Ball valve (flow) with thermometer and integrated non-return valve
- 9 Air separator

### Before flushing the system

1. Disconnect the expansion vessel from the solar thermal system.
2. Connect the pressure hose of the filling and flushing station to the fill valve (5) of the pump station.
3. Connect the flushing hose of the filling and flushing station to the drain valve (3) of the pump station.



4. Close the ball valve of the pump station (4).
5. Open the fill valve (5) and the drain valve (3).
6. Switch on the filling pump of the filling and flushing station.



7. Flush the solar thermal system for at least 15 minutes by means of the filling and flushing station until the discharged solar fluid is free of gas bubbles and dirt particles.
8. During flushing, bleed the solar thermal system several times until the discharged solar fluid (e. g. Tyfocor®, see chap. 12) is free of air bubbles.
9. Open the ball valve of the pump station (4).

### After flushing the system

1. Connect the expansion vessel to the solar thermal system
2. Close the drain valve (3) of the pump station while the filling pump is running.
3. Increase system pressure (approx. 3.5-4 bar). The system pressure can be read from the pressure gauge.
4. Close the fill valve (5).
5. Switch off the filling pump.



6. Check the pressure gauge to see whether the system pressure reduces and eliminate leaks where necessary.
7. Slowly discharge the heat transfer fluid by means of the drain valve (3) until the operating pressure is set.
8. Remove the hoses of the filling and flushing station and screw the caps onto the fill and drain valves. Manually start the solar thermal pump at maximum speed (see controller manual) and let the fluid circulate for at least 15 minutes.
9. Bleed the solar thermal system several times.
10. Check the system pressure at the pressure gauge.

11. Check the antifreeze ratio (not required if a ready-mix is used).



## 4 Ball valve positions

### WARNING!

### Scald danger! Damage by overpressure!

When the ball valve is closed, too high pressure may occur in the blocked-off line if it is heated.

→ In order to prevent scald danger and damage by overpressure, make sure the blocked-off line is not heated.



Non-return valve in operating position, fluid flow in flow direction only



Ball valve open, fluid flow in both directions possible



Ball valve closed, no fluid flow

## 5 Draining the system

1. Open the ball valve (4).
2. Open the air vent at the highest point of the system (above the collectors).
3. Open the drain valve.

## 6 Non-return valves

The non-return valves of the pump station are integrated into the ball valves in flow and return and have an opening pressure of 20 mbar.

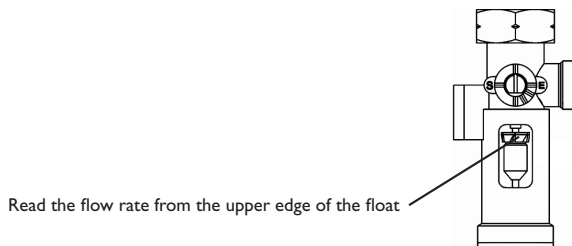
In order to completely drain the system, the non-return valves have to be opened.

→ For this purpose, turn the handles of the ball valves by 45°.

→ For normal system operation, open the ball valves completely.

## 7 Flowmeter

The flowmeter measures and indicates the flow rate with a range of 1-13 l/min. For the device to function faultlessly, the system must be flushed and free of grit.



## 8 Control flushing

A blocked non-return valve can impede the flow rate within the system. If the flowmeter indicates no flow rate during commissioning, a control flushing has to be carried out.

### ATTENTION Damage through overpressure!



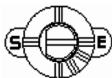
High pressure and flow speed during control flushing may cause damage to the non-return valves.

→ In order to avoid damage to the non-return valves, pay attention to the correct position of the ball valves!

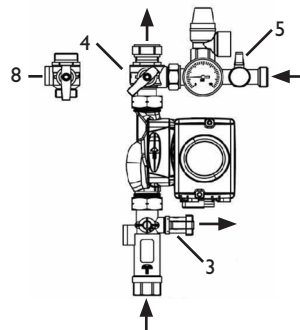
In order to carry out a control flushing, proceed as follows:

### Control flushing collector circuit

1. Turn the slot in the flowmeter spindle to the S position:



2. Turn the flow ball valve (8) to the operating position.
3. Turn the return ball valve (4) to a 45° position.
4. Connect the pressure hose to the fill valve (5) and the flushing hose to the drain valve (3).
5. Open both the fill and the drain valve and carry out the control flushing as shown in the figure.



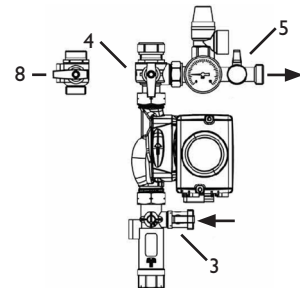
6. Close both the fill and the drain valve.

### Control flushing pump

1. Turn the slot in the flowmeter spindle to the E position:



2. Close the flow ball valve (8).
3. Turn the return ball valve (4) to the operating position.
4. Connect the pressure hose to the drain valve (3) and the flushing hose to the fill valve (5).
5. Open both the fill and the drain valve and carry out the control flushing as shown in the figure.



6. Close both the fill and the drain valve.

## 9 Air separator

### WARNING! Scald danger!

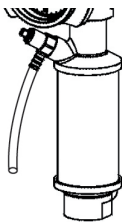


During venting, the air discharged can reach temperatures of more than 100 °C.

→ **In order to avoid scalding, pay attention to the system temperatures!**

The air separator is used for venting the water/glycol mixture in the solar circuit. The air separated from the heat transfer fluid gathers in the air scoop and can be discharged manually at the air vent valve.

1. Open the air vent valve and collect the discharged fluid in a suitable container.
2. Check the system pressure after bleeding and, if necessary, increase it to the specified operating pressure.



## 10 Maintenance

In the case of maintenance (such as a replacement of the pump) proceed as follows:

1. Close the ball valve (4).
2. Turn the slot of the flowmeter spindle by 90° anti-clockwise:



The heat transfer fluid can now be drained from the pump.

3. Open the drain valve (3).
4. If necessary, open the union nut at the pressure side.
5. Now dismantle the pump.

## 11 Safety devices

The pump station is equipped with a diaphragm safety valve which corresponds to the relevant directives and regulations. For installation and operation, please pay attention to the following advice:

- The safety valve has to be easily accessible. The efficiency of the valve must not be influenced or disabled by barriers!
- The strainer or other restriction devices must not be mounted between collector (-field) and safety valve!
- The diameter of the discharge pipe must correspond to the diameter of the valve outlet; the maximum length must not exceed 2 m; more than 2 bends are inadmissible. When these values are exceeded, you have to install a discharge pipe with larger dimensions. Do not use more than 3 bends and pipes longer than 4 m!
- If the discharge pipe leads into a drain pipe with a funnel, the diameter of the drain pipe has to be at least twice as large as the valve inlet. The opening of the discharge pipe must be inclined downwards. It must be routed such that the opening can be seen but does not present any risk to a person standing or passing by.
- We recommend placing a container below the discharge pipe. If the safety valve opens, the fluid will be collected and can be refilled into the system when the pressure is too low.



## 12 Accessories

### SBS 2000 filling and flushing station

The SBS 2000 has been especially designed for professionally filling and flushing solar thermal and heating systems. Its many thought-out details facilitate transport, operation and cleaning, the attractive design makes it the ideal companion for a professional performance.



### Heat transfer fluids

In our product portfolio, you will find a range of heat transfer fluids for different applications, available as readymix or concentrate.



#### Note:

This pump station can be used with the heat transfer fluids Tyfocor L and LS.

### Wall mounting for diaphragm-type expansion vessel

Wall mounting for diaphragm-type expansion vessel with screws and wall plugs, high grade steel corrugated tube and connection thread  $\frac{3}{4}$ ". Including quick release valve coupling enabling removal of expansion without draining down of the system.



### Filling and injection pump

Filling and injection pump with non-return valve for pressure increase and refilling of heat transfer fluids.  $\frac{1}{2}$ " OT self-sealing with O-ring, 15mm tube connection. Pump output 2 l/min, 4.5 bar max.



### ALS15 discharge hose

1.5 m hose for connection to the safety valve of the FlowSol® B/B HE pump station.



See our full range of accessories on our website:

[www.resol.com](http://www.resol.com)

## 13 Information about the pump

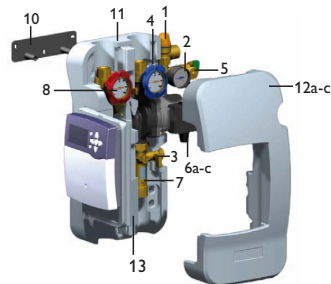
Depending on the version, the station is equipped with different pumps. Data concerning the pump in your station are available at the pump manufacturer under [www.wilointec.com](http://www.wilointec.com). Upon request we will provide you with further information.



#### Note

The warranty for the pump is void if the pump is disassembled after removal.

## 14 List of spare parts



Pos.	Art. no.	Article
1	11200054	Safety valve 6 bar
2	11200039	Pressure gauge (10 bar)
3	11200058	Fill / drain valve
4	11200069	Ball valve (return) with thermometer and integrated non-return valve
5	11200058	Fill / drain valve
6a	28000610	Pump Wilo ST15/6
6b	or 28000620	Pump Wilo ST15/7
6c	or 11204195	Pump Wilo Wilo PARA ST15/7.0-PWM2 (HE pump)
7	28000490	Flowmeter
8	11200062	Ball valve (flow) with thermometer and integrated non-return valve
9	28000491	Air separator (not shown)
10	11200071	Wall mounting bracket
11	70001512	Back half of the insulation
12a	70001614	Front half of insulation DeltaSol® BX series
12b	or 70001613	Front half of the insulation DeltaSol® BS series / CS series (not shown)
12c	or 70001516	Front half of the insulation DeltaSol® SL series (not shown)
13	70001612	Hinged controller panel

Distributed by:

**RESOL – Elektronische Regelungen GmbH**

Heiskampstraße 10

45527 Hattingen / Germany

Tel.: +49 (0) 23 24 / 96 48 - 0

Fax: +49 (0) 23 24 / 96 48 - 755

[www.resol.com](http://www.resol.com)

[info@resol.com](mailto:info@resol.com)

**Important note**

The texts and drawings in this manual are correct to the best of our knowledge. As faults can never be excluded, please note:

Your own calculations and plans, under consideration of the current standards and directions should only be basis for your projects. We do not offer a guarantee for the completeness of the drawings and texts of this manual - they only represent some examples. They can only be used at your own risk. No liability is assumed for incorrect, incomplete or false information and/or the resulting damages.

**Note**

The design and the specifications can be changed without notice.

The illustrations may differ from the original product.

**Imprint**

This mounting- and operation manual including all parts is copyrighted. Another use outside the copyright requires the approval of RESOL – Elektronische Regelungen GmbH. This especially applies for copies, translations, micro films and the storage into electronic systems.

© **RESOL – Elektronische Regelungen GmbH**