



ARISTON

SPARE PARTS EXPLODED VIEW BOILERS

Model

BC

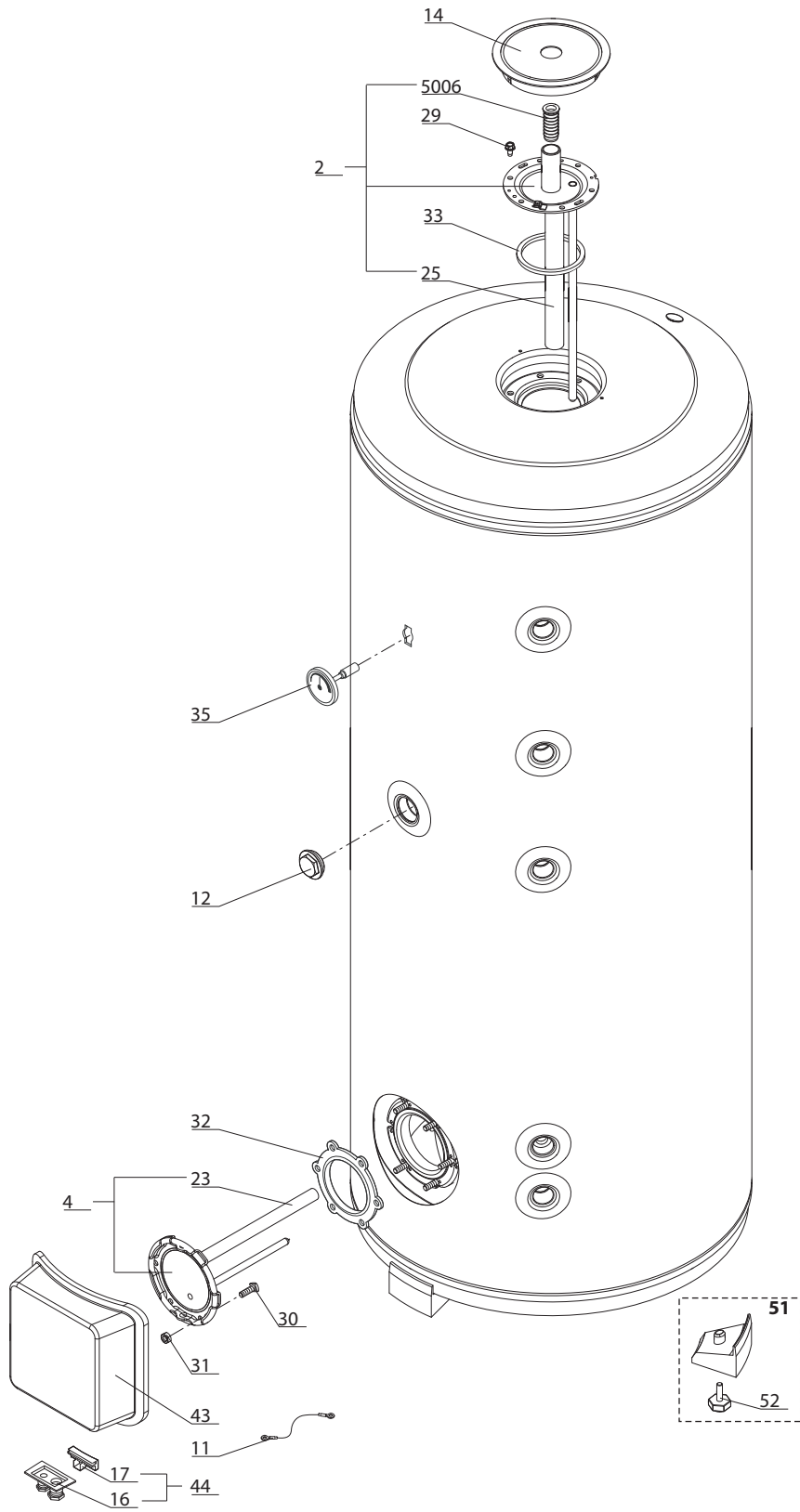
R8203262-03 - 06/07/2015

BC

Boilers

1	3070256	ARI BC1S 200L MAGNESIUM	02-2010	-
1	3070259	ARI BC2S 200L MAGNESIUM	02-2010	-
1	3060440	BC1S CD1 200 ARI - EU		
1	3060448	BC2S CD2 200 ARI - EU		
2	3070257	ARI BC1S 300L MAGNESIUM	02-2010	-
2	3070260	ARI BC2S 300L MAGNESIUM	02-2010	-
2	3060441	BC1S CD1 300 ARI - EU		
2	3060449	BC2S CD2 300 ARI - EU		
3	3070258	ARI BC1S 450L MAGNESIUM	02-2010	-
3	3070261	ARI BC2S 450L MAGNESIUM	02-2010	-
3	3060442	BC1S CD1 450 ARI - EU		
3	3060450	BC2S CD2 450 ARI - EU		

Col	Reference	Model type	Begin	End
-----	-----------	------------	-------	-----



☞	Description	Manf. Pt. N	Type	200 L	300 L	A80 L												31	From	to
				1	2	3	4	5	6	7	8	9	10	11	12	13	14	15	16	17

	Description	Manf. Pt. N	Type	1	2	3	4	5	6	7	8	9	10	11	12	13	14	15	16	17	18	From	to
0002	FLANGE WITH ANODE	60001534		•	•	•																	
0004	FLANGE WITH ANODE	60001565		•	•																		
	FLANGE WITH ANODE	60001566				•																	
0011	EARTH WIRE	60001115		•	•	•																	
0012	PLUG + SEALING RING	61310637		•	•	•																	
0014	PLASTIC COVER	60001533		•	•	•																	
0016	WIRE PIN BRACKET	926071		•	•	•																	
0017	SUPPORT	926303		•	•	•																	
0023	ANODE D:40 L:325 M8	60001567		•	•																		
	ANODE D:40 L:425 M8	60001568					•																
0025	ANODE D:25,5 L:230 M5-M8	993014-01		•	•	•																	
0029	SCREW M8X14 (6 PCES)	60000681		•	•	•																	
0030	SCREW M10X32	918061		•	•	•																	
0031	NUT M10	64912308		•	•																		
	NUT M10	918041					•																
0032	FLANGE GASKET WITH 6 HOLES	924002		•	•	•																	
0033	FLANGE GASKET D:121.3-105-7.1	60071829		•	•	•																	
0035	THERMOMETER	60001535		•	•	•																	
0043	PLASTIC COVER	926301		•	•																		
	PLASTIC COVER	926302					•																
0044	KIT (CABLE-HOLDER)	996644		•	•	•																	
0051	FOOT (COMPLETE)	926168		•	•	•																	
0052	FOOT M10X40	918063		•	•	•																	
5000	ACCESSORIES																						
5006	INSERT 1»	60001554		•	•	•																	

LIST OF THE ABBREVIATIONS

HW	: Hot water.
CW	: Cold water.
C	: Ceramic resistance (normal heating).
Ca	: Ceramic resistance (accelerated heating)
TP	: Immersion heater.
1F	: With fittings.
2F	: Without fittings.
3F	: With fittings and another outlet connection.
AMI	: With mixing valve.
SMI	: Without mixing valve.
PUISS	: Power of th appliance.
PN	: Appliance with normal pression.
LP	: Appliance with low pression.
PV	: Appliance with variable power.
PF	: Appliance with fixed power.

IDENTIFICATION PLATE

SERIAL NUMBER

9 Characters : 07 91 00301 (from 01/77 to 12/92)

Month of manufacture _____ Sequential number
Year of manufacture _____

10 Characters : 95 01 065004 (from 01/93 to 06/95)

Year of manufacture _____ Sequential number
Month of manufacture _____

OU

10 Characters : 01 95 065004 (from 07/95)

Month of manufacture _____ Sequential number
Year of manufacture _____

12 Characters : 924 2 3 134 0115

Product reference _____ Sequential number
Year of manufacture _____ Manufacturing day

15 ou 16 Characters : (0)03 070 0001 893077 (from 01/97 to 01/05)

Year of manufacture _____ Product reference
Day of manufacture _____ Sequential number

OU

16 Characters : 05 070 0001 0000000 (from 02/05)

Year of manufacture _____ Product reference
Day of manufacture _____ Sequential number

17 Characters : 07 070 00315 3070107

Year of manufacture _____ Product reference
Sequential number
Manufacturing day (70)

21 Characters : 3000115 XX 08115 0000001

Product reference _____ Sequential number
Year (08) / Manufacturing day (115)

22 Characters : 3000115 XX 070416 0000001

Product reference _____ Sequential number
Year (07) / Month (04) / Manufacturing day (16)